

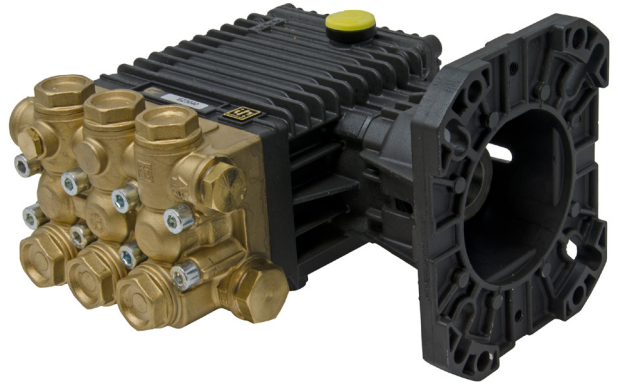
GENERAL PUMP *A member of the Interpump Group*

EZ Series 44 G

3000 PSI, Triplex Plunger Pump

FEATURES

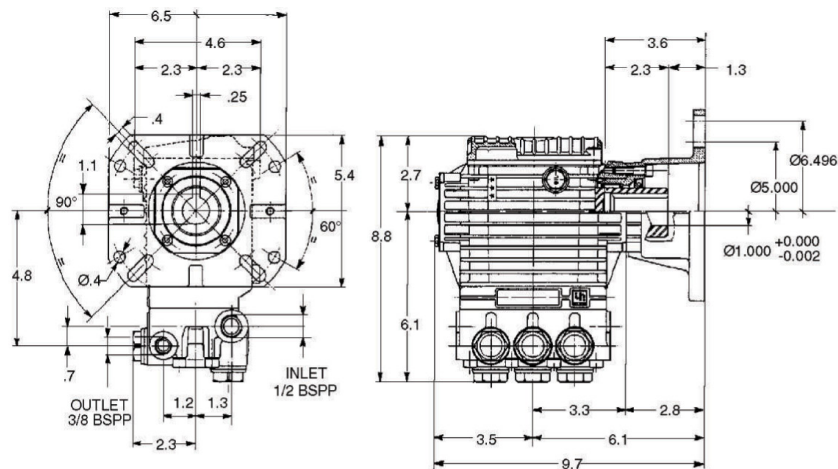
- Solid Ceramic Plungers
- Standard SAE J609 Gasoline Mounting Flange For Up To 13 HP Engines
- Forged Brass Manifold With An Exclusive Lifetime Warranty and 4:1 Hydrostatic Rating
- Die-cast, Anodized Aluminum, Oil-Bath Crankcase
- Premium Roller Bearing
- Unitized Stainless Steel Inlet and Discharge Valves
- Available in Left-Hand Versions




SPECIFICATIONS

Pump Model	EZ3030G34	EZ3035G	EZ3040G	EZ3045G	EZ2545G
Maximum Volume	3.0 GPM	3.5 GPM	4.0 GPM	4.6 GPM	4.6 GPM
Maximum Discharge Pressure	3200 PSI	3000 PSI			2500 PSI
Horsepower	9.9 GHP	10.8 GHP	12.3 GHP	14.2 GHP	11.8 GHP
Maximum Pump Speed	3400 RPM				
Maximum Inlet Pressure	125 PSI				
Minimum Inlet Pressure	3 Ft. Water / 2.6 in. Hg.				
Plunger Bore (in / mm)	.591 in / 15 mm				
Plunger Stroke (in / mm)	.299 in./7.6 mm	.335 in./8.5 mm	.374 in./9.5 mm	.433 in./11 mm	.433 in./11 mm
Oil Capacity	14.0 oz				
Maximum Fluid Temperature	165°F				
Inlet Port Thread	1/2" - 14 BSP-F				
Discharge Port Thread	3/8" - 19 BSP-F				
Shaft Diameter	1.0 in. / 25.4 mm				
Weight	19.1 lbs				
Dimensions	8.8" x 9.7" x 6.5"				

DIMENSIONAL DRAWING



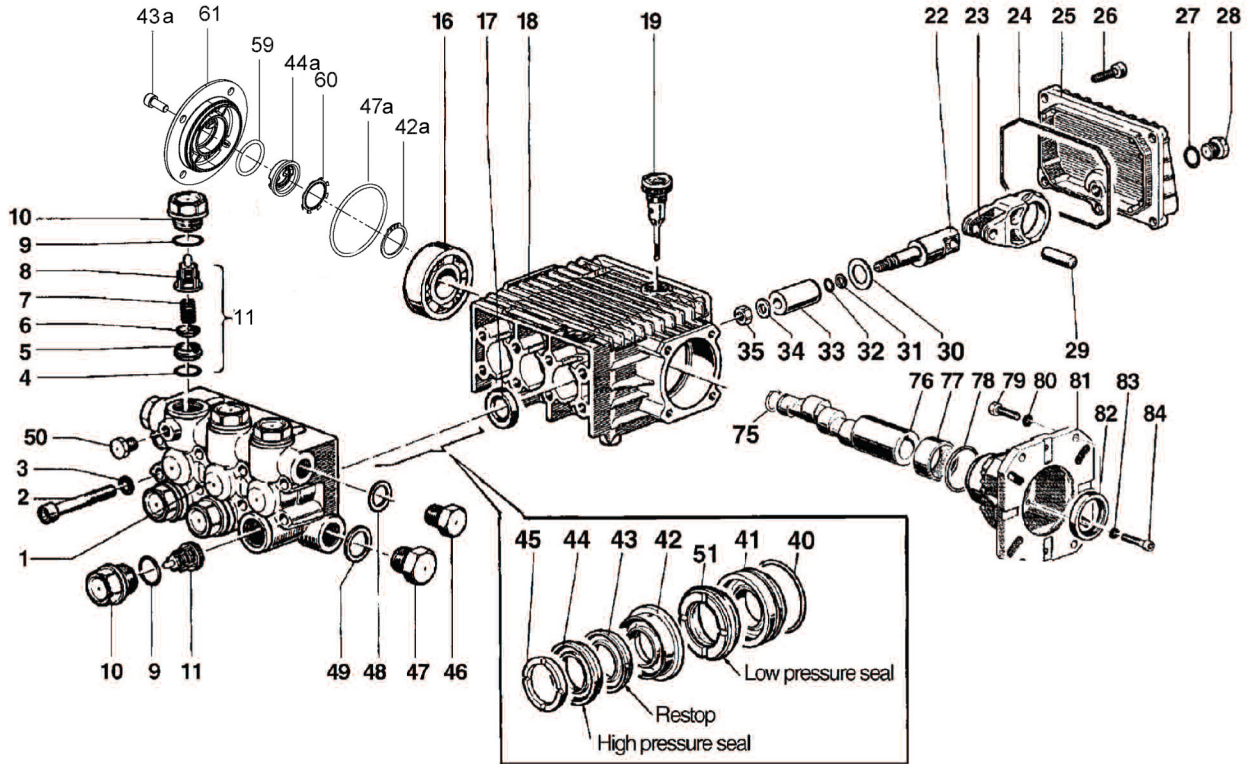
 General Pump is a member of the Interpump Group

Ref 300281 Rev. L
01-19



EZ Series 44 G - 3000 PSI

GENERAL PUMP *A member of the Interpump Group*



PARTS LIST

ITEM	PART NO.	DESCRIPTION	KIT NO.	QTY.	ITEM	PART NO.	DESCRIPTION	KIT NO.	QTY.	ITEM	PART NO.	DESCRIPTION	KIT NO.	QTY.
1.	44120041	Manifold, 15 mm		1	28.	98204100	Cap Screw		1	49.	96751400	Washer		1
2.	99317500	Screw		8	29.	97734000	Pin		3	50.	98196600	Cap Screw		1
3.	96701400	Washer		8	30.	96735000	Washer		3	51.	90261700	Seal, Low Press, 88, 130	3	3
4.	701115	O-ring	123	6	31.	660024	Anti-extrusion Ring		3	59.	90385900	O-ring Ø 25.07x2.62		1
5.	36200366	Valve Seat	123	6	32.	701501	O-ring		3	60.	90067100	Stop Ring		1
6.	36711501	Valve	123	6	33.	52040009	Plunger, 15 mm		3	61.	58150122	Side Cover		1
7.	94737600	Spring	123	6	34.	44211570	Bushing		3	75.	90063500	Retaining Ring		1
8.	36202551	Valve Cage	123	6	35.	92221600	Nut		3	76.	44021265	Crankshaft, EZ3045G		1
9.	701002	O-ring	124	6	40.	90361200	O-ring	125, 130	3		44022065	Crankshaft, EZ3035G		1
10.	98222600	Cap Screw	124	6	41.	44080070	Packing Retainer	125, 130	3		44020965	Crankshaft, EZ3040G		1
11.	36711501	Valve Assembly	123	6	42.	52216670	Intermed. Ring	89, 130	3		44021965	Crankshaft, EZ3030G34		1
16.	91832800	Ball Bearing		1	42a.	90063500	Stop Ring Ø 25		1	77.	91856800	Roller Bearing		1
17.	90161400	Oil Seal	23	3	43.	90262200	Packing	88, 130	3	78.	90409700	O-ring		1
18.	44010022	Crankcase		1	43a.	99183700	Screw M6x14		4	79.	99275500	Screw, 5/16x1		4
19.	98210300	Oil Dip Stick		1	44.	90262000	Packing	88, 130	3		99334500	Screw, 3/8x1		4
22.	44050066	Plunger Guide		3	44a.	53210851	Oil Level Indicator		1	80.	203476	Washer, Ø 8 mm		4
23.	44030022	Connecting Rod		3	45.	51100051	Head Ring	90, 130	3		96710400	Washer, Ø 10 mm		4
24.	90392000	O-ring		1	46.	98210000	Cap Screw		1	81.	10051822	Gas Flange		1
25.	44160022	Rear Cover		1	47.	98217600	Cap Screw		1	82.	90169000	Oil Seal		1
26.	99183700	Screw		5	47a.	90389800	O-ring Ø 56.82x2.62		1	83.	203510	Washer		4
27.	701013	O-ring		1	48.	96738000	Washer		1	84.	99191200	Screw		4

* 53150001 Oil Level Indicator Assembled W/O Screws and O-ring

REPAIR KITS

KIT NO.	K23	K88	K89	K90	K123	K124	K125	K130
ITEM NO's INCLUDED IN KIT	17	43, 44, 51	42	45	4, 5, 6, 7, 8, (11)	9, 10	40, 41	40, 41, 42, 43, 44, 45, 51
NUMBER OF ASSEMBLIES IN KIT	3	3/6	3	6	6	6	3	1
NUMBER OF CYLINDERS KIT WILL SERVICE	3	3	3	3	3	3	3	1

TORQUE SPECS*

Pos.	Ft/lb	Nm
2	14.7	20
10	95.9	130
12	7.3	10
26	7.3	10
28	14.7	20
35	11.0	15
46	29.4	40
47	29.4	40
50	9.6	13
79	14.7	20
84	7.3	10

* Decrease torque by 20% if threads are lubricated

