

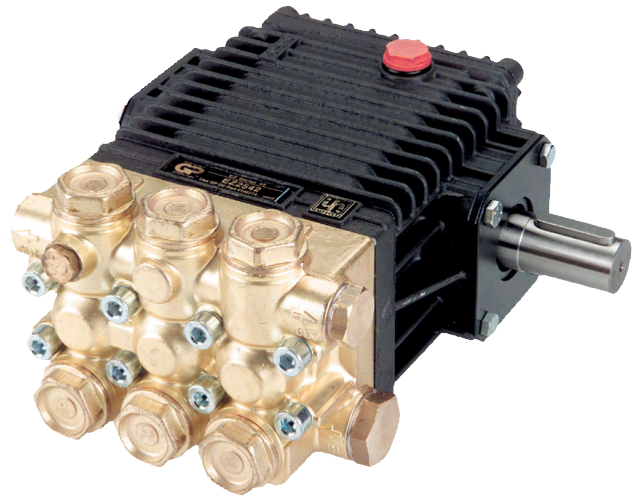
# GENERAL PUMP A member of the Interpump Group

# EZ Series 44 S

2500/3000 PSI, Triplex Plunger Pump

## FEATURES

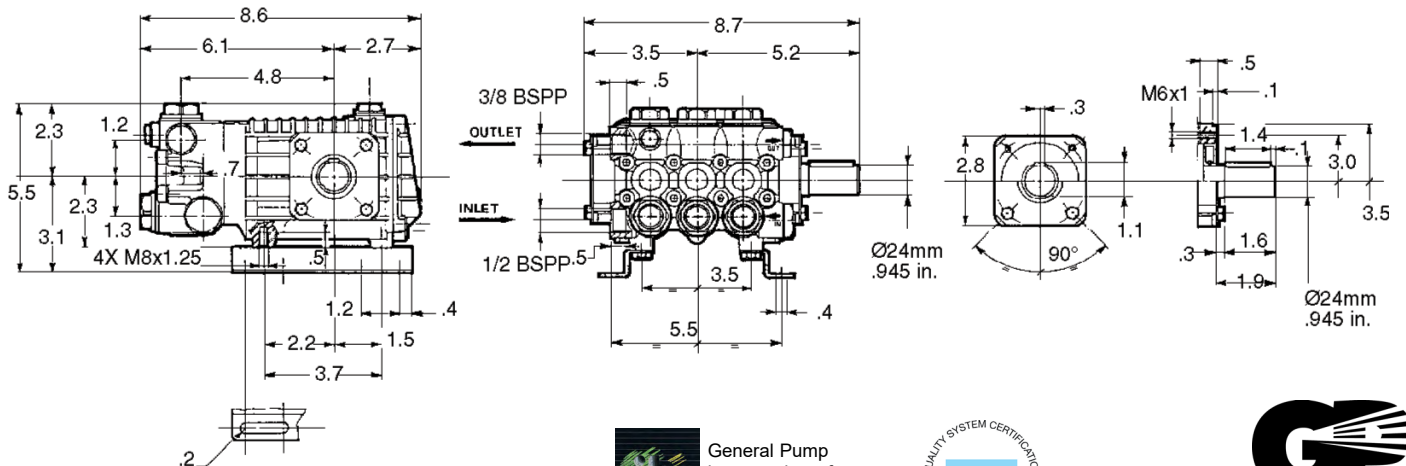
- Solid ceramic plunger design
- Flex coupling and bell housing available for direct drive
- Forged brass manifold with 4:1 hydrostatic rating
- Die-cast, anodized aluminum, oil-bath crankcase
- Premium roller bearing
- Unitized stainless steel inlet and discharge valves
- Available in "L" left-handed versions



## SPECIFICATIONS

| Pump Model                 | EZ2536S                     | EZ2542S   | EZ2545S          | EZ2555S                  | EZ3040S          | EZ3042S   |
|----------------------------|-----------------------------|-----------|------------------|--------------------------|------------------|-----------|
| Maximum Volume             | 3.6 GPM                     | 4.2 GPM   | 4.6 GPM          | 5.5 GPM                  | 4.0 GPM          | 4.2 GPM   |
| Maximum Discharge Pressure | 2500 PSI                    |           |                  | 3000 PSI                 |                  |           |
| Maximum Pump Speed         | 1750 RPM                    |           | 3400 RPM         |                          | 1750 RPM         |           |
| Maximum Inlet Pressure     | 125 PSI                     |           |                  |                          |                  |           |
| Maximum Inlet Vacuum       | 3 ft. water (2.6 in. Hg)    |           |                  | 9 ft. water (7.9 in. Hg) |                  |           |
| Plunger Bore               | .708 in. / 18 mm            |           | .591 in. / 15 mm |                          | .708 in. / 18 mm |           |
| Plunger Stroke (in. / mm)  | .433 / 11                   | .512 / 13 | .433 / 11        | .512 / 13                | .374 / 9.5       | .512 / 13 |
| Crankcase Oil Capacity     | 14.0 oz.                    |           |                  |                          |                  |           |
| Maximum Fluid Temperature  | 165° F                      |           |                  |                          |                  |           |
| Inlet Port Thread          | 1/2-14 BSPP-F               |           |                  |                          |                  |           |
| Discharge Port Thread      | 3/8-19 BSPP-F               |           |                  |                          |                  |           |
| Shaft Diameter             | .945 in. / 24 mm            |           |                  |                          |                  |           |
| Weight                     | 18 lbs.                     |           |                  |                          |                  |           |
| Dimensions                 | 8.6 in. x 8.7 in. x 5.5 in. |           |                  |                          |                  |           |

## DIMENSIONAL DRAWING

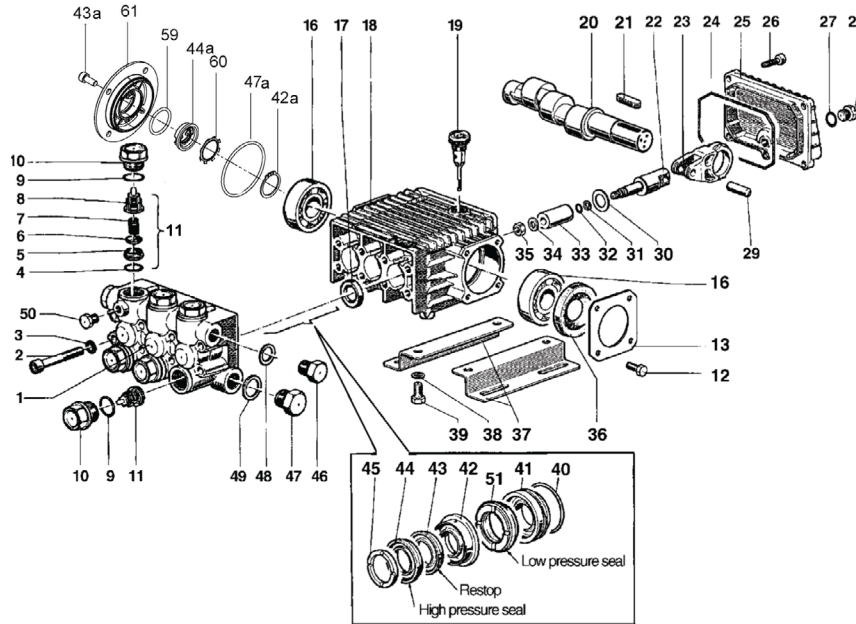


General Pump  
is a member of  
the Interpump Group



Ref 300302 Rev. K  
06-22





## PARTS LIST

| ITEM | PART NO. | DESCRIPTION                            | KIT NO. | QTY. | ITEM | PART NO. | DESCRIPTION             | KIT NO. | QTY. | ITEM | PART NO. | DESCRIPTION               | KIT NO. | QTY. |
|------|----------|--|---------|------|------|----------|-------------------------|---------|------|------|----------|---------------------------|---------|------|
| 1.   | 44120441 | Manifold, 18 mm                        |         | 1    | 21.  | 91489200 | Key                     |         | 1    | 42.  | 44216170 | Interm. Ring, 18 mm       | 128,131 | 3    |
|      | 44120041 | Manifold, 15 mm                        |         |      | 22.  | 44050066 | Plunger Guide           |         | 3    |      | 52216670 | Interm. Ring, 15 mm       | 89,130  |      |
| 2.   | 99317500 | Screw                                  |         | 8    | 23.  | 44030022 | Connecting Rod          |         | 3    | 42a. | 90063500 | Stop Ring Ø 25            |         | 1    |
| 3.   | 96701400 | Washer                                 |         | 8    | 24.  | 90392000 | O-ring                  |         | 1    | 43.  | 90268300 | Packing, 18mm             | 127,131 | 3    |
| 4.   | 701115   | O-ring                                 | 123     | 6    | 25.  | 44160022 | Rear Cover              |         | 1    |      | 90262200 | Packing, 15mm             | 88,130  |      |
| 5.   | 36200366 | Valve Seat                             | 123     | 6    | 26.  | 99183700 | Screw                   |         | 5    | 43a. | 99183700 | Screw M6x14               |         | 4    |
| 6.   | 36711501 | Valve                                  | 123     | 6    | 27.  | 701013   | O-ring                  |         | 1    | 44.  | 90268200 | Packing, 18mm             | 127,131 | 3    |
| 7.   | 94737600 | Spring                                 | 123     | 6    | 28.  | 98204100 | Cap Screw               |         | 1    |      | 90262000 | Packing, 15mm             | 88,130  |      |
| 8.   | 36202551 | Valve Cage                             | 123     | 6    | 29.  | 97734000 | Pin                     |         | 3    | 44a. | 53210851 | Oil Level Indicator       |         | 1    |
| 9.   | 701002   | O-ring                                 | 124     | 6    | 30.  | 96735000 | Washer                  |         | 3    | 45.  | 44100151 | Head Ring, 18mm           | 129,131 | 3    |
| 10.  | 98222600 | Cap Screw                              | 124     | 6    | 31.  | 660024   | Anti-extrusion Ring     |         | 3    |      | 51100051 | Head Ring, 15mm           | 90,130  |      |
| 11.  | 36711501 | Valve Assembly                         | 123     | 6    | 32.  | 701501   | O-ring                  |         | 3    | 46.  | 98210000 | Cap Screw                 |         | 1    |
| 16.  | 91832900 | Ball Bearing                           |         | 1    | 33.  | 44040109 | Plunger, 18 mm          |         | 3    | 47.  | 98217600 | Cap Screw                 |         | 1    |
|      | 91833000 | Ball Bearing (EZ3042S)                 |         |      |      | 52040009 | Plunger, 15 mm)         |         |      | 47a. | 90389800 | O-ring Ø 56.82x2.62       |         | 1    |
| 17.  | 90161400 | Oil Seal                               | 23      | 3    | 34.  | 44211570 | Bushing                 |         | 3    | 48.  | 96738000 | Washer                    |         | 1    |
| 18.  | 44010022 | Crankcase                              |         | 1    | 35.  | 92221600 | Nut                     |         | 3    | 49.  | 96751400 | Washer                    |         | 1    |
| 19.  | 98210300 | Oil Dip Stick                          |         | 1    | 36.  | 90164100 | Oil Seal                |         | 1    | 50.  | 98196600 | Cap Screw                 |         | 1    |
| 20.  | 44020035 | Crankshaft (EZ3040S)                   |         | 1    | 40.  | 90361200 | O-ring, 18mm            | 126,131 | 3    | 51.  | 90268400 | Seal, Low Pressure, 18 mm | 127,131 | 3    |
|      | 44020335 | Crankshaft (EZ2536S, EZ2545S)          |         |      |      | 90361200 | O-ring, 15 mm           | 125,130 |      |      | 90261700 | Seal, Low Pressure, 15 mm | 88,130  | 3    |
|      | 44020635 | Crankshaft (EZ2542S, EZ2555S, EZ3042S) |         |      | 41.  | 44080170 | Packing Retainer, 18mm) | 126,131 | 3    | 59.  | 90385900 | O-ring Ø 25.07x2.62       |         | 1    |
|      |          |  |         |      |      | 44080070 | Packing Retainer, 15mm  | 125,130 |      | 60.  |          | Stop Ring                 |         | 1    |
|      |          |  |         |      |      |          |                         |         |      | 61.  |          | Side Cover                |         | 1    |

\* 53150001—Oil Level Indicator Assembled W/O Screws and O-ring

## REPAIR KITS

| KIT NO.                              | All K23 | (15mm) (18 mm) K88 or K127 | (15mm) (18 mm) K89 or K128 | (15mm) (18 mm) K90 or K129 | All K123           | All K124 | (15mm) (18 mm) K125 or K126 | (15mm) (18 mm) K130 or K131 |
|--------------------------------------|---------|----------------------------|----------------------------|----------------------------|--------------------|----------|-----------------------------|-----------------------------|
| ITEM NO's INCLUDED IN KIT            | 17      | 43, 44, 51                 | 42                         | 45                         | 4, 5, 6, 7, 8 (11) | 9, 10    | 40, 41                      | 40, 41, 42, 43, 44, 45, 51  |
| NUMBER OF ASSEMBLIES IN KIT          | 3       | 3/6                        | 3                          | 6                          | 6                  | 6        | 3                           | 1                           |
| NUMBER OF CYLINDERS KIT WILL SERVICE | 3       | 3                          | 3                          | 3                          | 3                  | 3        | 3                           | 1                           |

## TORQUE SPECS\*

| Pos. | Ft/lb | N-M |
|------|-------|-----|
| 2    | 14.7  | 20  |
| 10   | 95.9  | 130 |
| 12   | 7.3   | 10  |
| 26   | 7.3   | 10  |
| 28   | 14.7  | 20  |
| 35   | 11.0  | 15  |
| 39   | 14.7  | 20  |
| 46   | 29.4  | 40  |
| 47   | 29.4  | 40  |
| 50   | 9.6   | 13  |

\* Decrease torque by 20% if threads are lubricated

**WARNING: High Pressure Systems require a primary pressure regulating device (i.e. regulator, unloader) and a secondary pressure relief device (i.e. pop-off valve, relief valve). Failure to install such relief devices properly could result in personal injury or damage to pump or property. GP does not assume any liability or responsibility for the operation of the user's high pressure system.**



WARNING: This product can expose you to chemicals including lead, which is known to the state of California to cause cancer and birth defects or other reproductive harm. For more information, go to [www.P65Warnings.ca.gov](http://www.P65Warnings.ca.gov)