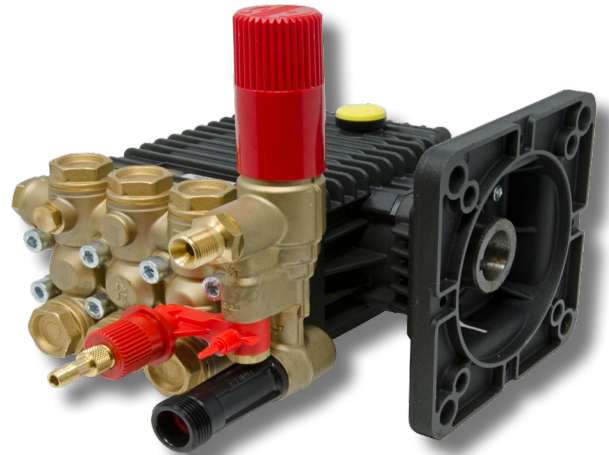


FEATURES

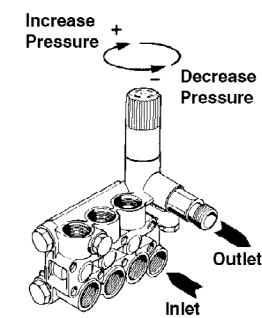
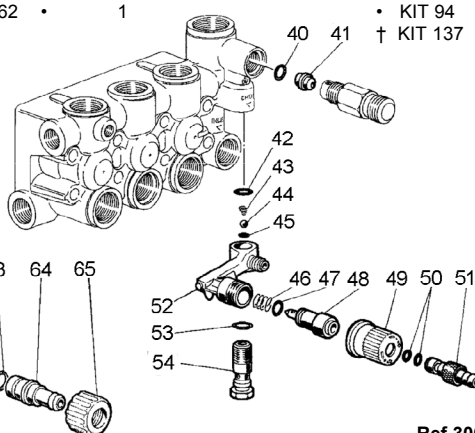
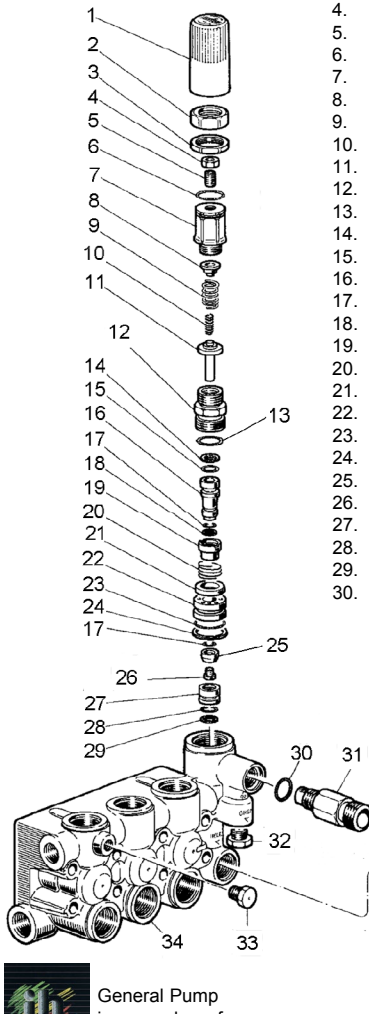
- Built-in unloader, with optional chemical injector and optional inlet fitting
- Brass construction (3000 PSI Maximum)

General Pump recommends using GRV safety relief device in conjunction with this unloader valve when installed on a positive displacement pump. General Pump is not liable and assumes no responsibility for this value when used in a customer's high pressure system.



PARTS LIST

| ITEM | PART NO. | DESCRIPTION | KIT NO. | QTY. | ITEM | PART NO. | DESCRIPTION | KIT NO. | QTY. |
|------|----------|-------------------------|---------|------|--|----------|-----------------------------|---------|------|
| 1. | 36318751 | Knob | | 1 | 31. | 10007870 | Nipple 3/8" | | 1 |
| 2. | 36318670 | Screw | | 1 | | 10014770 | Nipple M22x1.5 | | 1 |
| 3. | 92293500 | Nut M28x1.5 | | 1 | 32. | 98205700 | Cap M14x1.5 | | 1 |
| 4. | 92221800 | Nut M8x20 | | 1 | 33. | 98196600 | Cap Ø1/8"x8 | | 1 |
| 5. | 99305400 | Screw M8x20 | | 1 | 34. | 44120141 | Pump Manifold Ø15 | | 1 |
| 6. | 701019 | O-ring Ø20.35x1.78 | | 1 | | 44120541 | Pump Manifold Ø18 | | 1 |
| 7. | 36318570 | Pressure Register | | 1 | 40. | 701614 | O-ring Ø9.92x2.62 | | 1 |
| 8. | 36316970 | Cap | | 1 | 41. | 10015166 | Nozzel Ø2 (up to 3 GPM) | | 1 |
| 9. | 94713600 | Spring Ø15x35 mm | | 1 | | 10017666 | Nozzel Ø2.2 (up to 4.5 GPM) | | 1 |
| 10. | 94734500 | Spring Ø7.6x26 mm | | 1 | 42. | 701012 | O-ring Ø9.25x1.78 | | 1 |
| 11. | 36323370 | Lower Cap | | 1 | 43. | 94821700 | Spring Ø4.3/7.3x11 | | 1 |
| 12. | 36322870 | Guide Bushing | | 1 | 44. | 97478200 | Ball Ø7/32" | | 1 |
| 13. | 90385700 | O-ring Ø23.81x2.62 | | 1 | 45. | 90375200 | O-ring Ø5.28x1.78 | | 1 |
| 14. | 90505200 | Back-up ring | † | 1 | 46. | 94738300 | Spring Ø9.75x10 | | 1 |
| 15. | 90382000 | O-ring Ø9.13x2.62 | † | 1 | 47. | 701612 | O-ring Ø8.73x1.78 | | 1 |
| 16. | 36323470 | Valve Piston | † | 1 | 48. | 36256470 | Shutter | | 1 |
| 17. | 90357500 | O-ring Ø6.75x1.78 | † | 2 | 49. | 36256551 | Knob | | 1 |
| 18. | 90502500 | Back-up Ring | † | 1 | 50. | 701008 | O-ring Ø4.48x1.78 | | 2 |
| 19. | 36323070 | Spacer | † | 1 | 51. | 36260870 | Coupling | | 1 |
| 20. | 94748500 | Spring Ø18.5x11.5 | † | 1 | 52. | 36318151 | Body | | 1 |
| 21. | 36323151 | Valve | † | 1 | 53. | 701013 | O-ring Ø10.82x1.78 | | 1 |
| 22. | 36322970 | Valve Guide | † | 1 | 54. | 36256370 | Valve Seat | | 1 |
| 23. | 90360000 | O-ring Ø21.95x1.78 | † | 1 | OPTIONAL INLET FITTINGS | | | | |
| 24. | 90514400 | Back-up Ring | † | 1 | 60. | 701115 | O-ring Ø17.13x2.62 | | 1 |
| 25. | 36319066 | Ball Valve | † | 1 | 61. | 36318251 | Nipple G 3/4" | | 1 |
| 26. | 99150900 | Screw M5x0.8x8.5 | † | 1 | 62. | 92892500 | Filter | | 1 |
| 27. | 36316466 | Valve Seat | † | 1 | 63. | 701112 | O-ring Ø12.37x2.62 | | 1 |
| 28. | 701614 | O-ring Ø9.92x2.62 | † | 1 | 64. | 36256951 | Suction Port | | 1 |
| 29. | 90506500 | Back-up Ring Ø10.6x15x2 | † | 1 | 65. | 91856800 | Ring G 3/4" | | 1 |
| 30. | 90383200 | O-ring Ø13.95x2.62 | | 1 | • KIT 94 Repair Kit, Chemical Injector | | | | |
| | | | | | † KIT 137 Repair Kit, Unloader Valve | | | | |



General Pump is a member of the Interpump Group

GENERAL PUMP 1174 Northland Drive • Mendota Heights, MN 55120
 Phone: 651.686.2199 • Fax: 800.535.1745 • e-mail: sales@gpcompanies.com • www.generalpump.com

Ref 300327 Rev. D
 10-17



TRIPLEX