

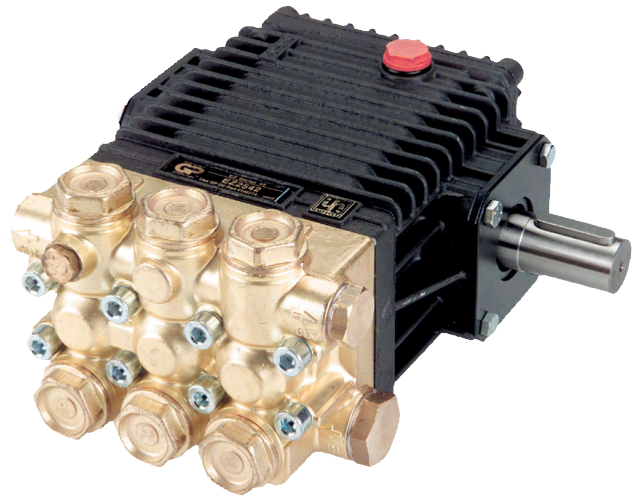
GENERAL PUMP A member of the Interpump Group

EZ Series 44 S

2500/3000 PSI, Triplex Plunger Pump

FEATURES

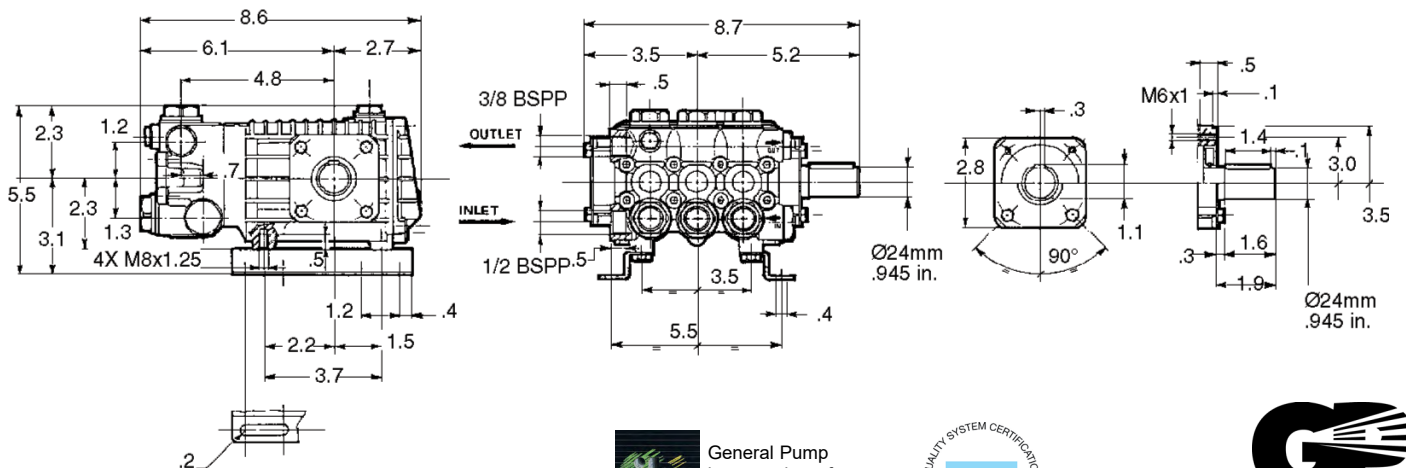
- Solid ceramic plunger design
- Flex coupling and bell housing available for direct drive
- Forged brass manifold with 4:1 hydrostatic rating
- Die-cast, anodized aluminum, oil-bath crankcase
- Premium roller bearing
- Unitized stainless steel inlet and discharge valves
- Available in "L" left-handed versions



SPECIFICATIONS

Pump Model	EZ2536S	EZ2542S	EZ2545S	EZ2555S	EZ3040S	EZ3042S
Maximum Volume	3.6 GPM	4.2 GPM	4.6 GPM	5.5 GPM	4.0 GPM	4.2 GPM
Maximum Discharge Pressure	2500 PSI			3000 PSI		
Maximum Pump Speed	1750 RPM		3400 RPM		1750 RPM	
Maximum Inlet Pressure	125 PSI					
Maximum Inlet Vacuum	3 ft. water (2.6 in. Hg)			9 ft. water (7.9 in. Hg)		
Plunger Bore	.708 in. / 18 mm		.591 in. / 15 mm		.708 in. / 18 mm	
Plunger Stroke (in. / mm)	.433 / 11	.512 / 13	.433 / 11	.512 / 13	.374 / 9.5	.512 / 13
Crankcase Oil Capacity	14.0 oz.					
Maximum Fluid Temperature	165° F					
Inlet Port Thread	1/2-14 BSPP-F					
Discharge Port Thread	3/8-19 BSPP-F					
Shaft Diameter	.945 in. / 24 mm					
Weight	18 lbs.					
Dimensions	8.6 in. x 8.7 in. x 5.5 in.					

DIMENSIONAL DRAWING

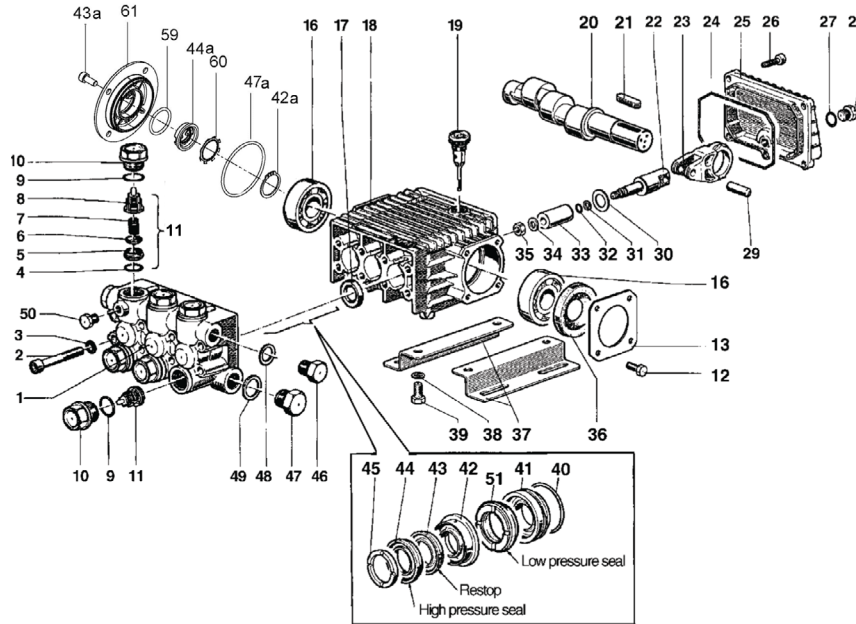


General Pump
is a member of
the Interpump Group



Ref 300302 Rev. K
06-22





PARTS LIST

ITEM	PART NO.	DESCRIPTION	KIT NO.	QTY.	ITEM	PART NO.	DESCRIPTION	KIT NO.	QTY.	ITEM	PART NO.	DESCRIPTION	KIT NO.	QTY.
1.	44120441	Manifold, 18 mm		1	21.	91489200	Key		1	42.	44216170	Interm. Ring, 18 mm	128,131	3
	44120041	Manifold, 15 mm			22.	44050066	Plunger Guide		3		52216670	Interm. Ring, 15 mm	89,130	
2.	99317500	Screw		8	23.	44030022	Connecting Rod		3	42a.	90063500	Stop Ring Ø 25		1
3.	96701400	Washer		8	24.	90392000	O-ring		1	43.	90268300	Packing, 18mm	127,131	3
4.	701115	O-ring	123	6	25.	44160022	Rear Cover		1		90262200	Packing, 15mm	88,130	
5.	36200366	Valve Seat	123	6	26.	99183700	Screw		5	43a.	99183700	Screw M6x14		4
6.	36711501	Valve	123	6	27.	701013	O-ring		1	44.	90268200	Packing, 18mm	127,131	3
7.	94737600	Spring	123	6	28.	98204100	Cap Screw		1		90262000	Packing, 15mm	88,130	
8.	36202551	Valve Cage	123	6	29.	97734000	Pin		3	44a.	53210851	Oil Level Indicator		1
9.	701002	O-ring	124	6	30.	96735000	Washer		3	45.	44100151	Head Ring, 18mm	129,131	3
10.	98222600	Cap Screw	124	6	31.	660024	Anti-extrusion Ring		3		51100051	Head Ring, 15mm	90,130	
11.	36711501	Valve Assembly	123	6	32.	701501	O-ring		3	46.	98210000	Cap Screw		1
16.	91832900	Ball Bearing		1	33.	44040109	Plunger, 18 mm		3	47.	98217600	Cap Screw		1
	91833000	Ball Bearing (EZ3042S)				52040009	Plunger, 15 mm)			47a.	90389800	O-ring Ø 56.82x2.62		1
17.	90161400	Oil Seal	23	3	34.	44211570	Bushing		3	48.	96738000	Washer		1
18.	44010022	Crankcase		1	35.	92221600	Nut		3	49.	96751400	Washer		1
19.	98210300	Oil Dip Stick		1	36.	90164100	Oil Seal		1	50.	98196600	Cap Screw		1
20.	44020035	Crankshaft (EZ3040S)		1	40.	90361200	O-ring, 18mm	126,131	3	51.	90268400	Seal, Low Pressure, 18 mm	127,131	3
	44020335	Crankshaft (EZ2536S, EZ2545S)				90361200	O-ring, 15 mm	125,130			90261700	Seal, Low Pressure, 15 mm	88,130	3
	44020635	Crankshaft (EZ2542S, EZ2555S, EZ3042S)			41.	44080170	Packing Retainer, 18mm)	126,131	3	59.	90385900	O-ring Ø 25.07x2.62		1
						44080070	Packing Retainer, 15mm	125,130		60.		Stop Ring		1
										61.		Side Cover		1

* 53150001 - Oil Level Indicator Assembled W/O Screws and O-ring

REPAIR KITS

KIT NO.	All	(15mm) (18 mm)	(15mm) (18 mm)	(15mm) (18 mm)	All	All	(15mm) (18 mm)	(15mm) (18 mm)
	K23	K88 or K127	K89 or K128	K90 or K129	K123	K124	K125 or K126	K130 or K131
ITEM NO's INCLUDED IN KIT	17	43, 44, 51	42	45	4, 5, 6, 7, 8 (11)	9, 10	40, 41	40, 41, 42, 43, 44, 45, 51
NUMBER OF ASSEMBLIES IN KIT	3	3/6	3	6	6	6	3	1
NUMBER OF CYLINDERS KIT WILL SERVICE	3	3	3	3	3	3	3	1

TORQUE SPECS*

Pos.	Ft/lb	N-M
2	14.7	20
10	95.9	130
12	7.3	10
26	7.3	10
28	14.7	20
35	11.0	15
39	14.7	20
46	29.4	40
47	29.4	40
50	9.6	13

* Decrease torque by 20% if threads are lubricated

WARNING: High Pressure Systems require a primary pressure regulating device (i.e. regulator, unloader) and a secondary pressure relief device (i.e. pop-off valve, relief valve). Failure to install such relief devices properly could result in personal injury or damage to pump or property. GP does not assume any liability or responsibility for the operation of the user's high pressure system.



WARNING: This product can expose you to chemicals including lead, which is known to the state of California to cause cancer and birth defects or other reproductive harm. For more information, go to www.P65Warnings.ca.gov