

\*Shown in right hand configuration.  
Designate "L" when ordering.  
EX: EWM1815SL

## FEATURES

- 316 Stainless Steel fluid end for superior corrosion protection
- Designed for use in salt water applications
- Solid ceramic plungers with advanced surface finish assure durability and longevity.
- Compact design offers solutions to space limitations
- Nickel-plated crankcase
- .945 in./24 mm Solid Shaft
- Reduces chance of galling

## SPECIFICATIONS

| Pump Model                 | EWM1815S           | EWM2515S     | EWM4215S        |
|----------------------------|--------------------|--------------|-----------------|
| Maximum Volume             | 1.8 GPM            | 2.5 GPM      | 4.2 GPM         |
| Maximum Discharge Pressure | 1,500 PSI          |              |                 |
| Maximum Pump Speed         | 1750 RPM           |              |                 |
| Rated Inlet Pressure       | 125 PSI            |              |                 |
| Plunger Bore (in / mm)     | .709/18 mm         |              |                 |
| Plunger Stroke (in / mm)   | .236 in/6 mm       | .315 in/8 mm | .484 in/12.3 mm |
| Crankcase Oil Capacity     | 8.5 oz.            |              |                 |
| Maximum Fluid Temperature  | 185° F             |              |                 |
| Inlet Port Thread          | 1/2" NPT-F         |              |                 |
| Discharge Port Thread      | 3/8" NPT-F         |              |                 |
| Shaft Diameter             | .945 in./24 mm     |              |                 |
| Weight                     | 13.2 lbs.          |              |                 |
| Dimensions                 | 7.9" x 8.2" x 3.8" |              |                 |



General Pump  
is a member of  
the Interpump Group



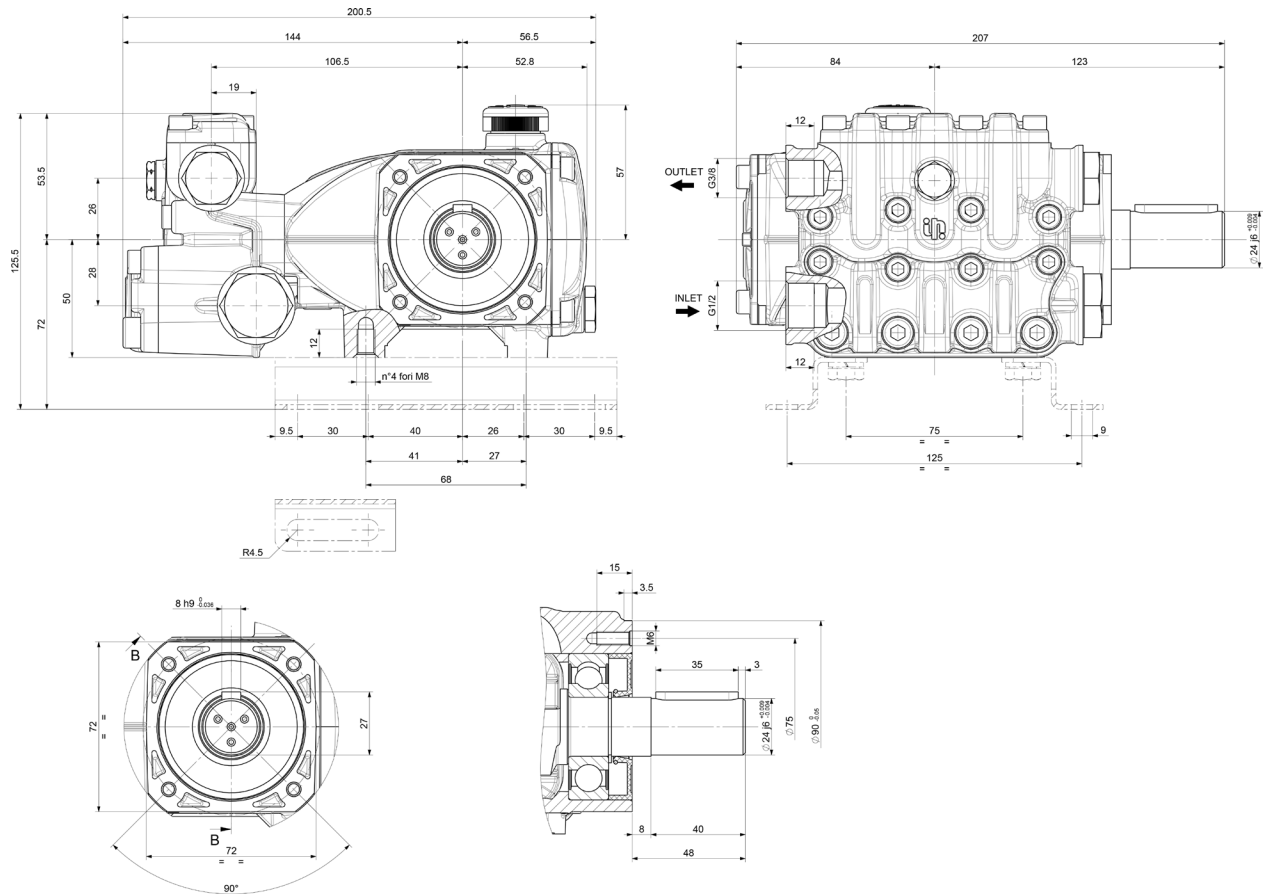
# EWM Series

24 mm Solid Shaft

**GENERAL PUMP** *A member of the Interpump Group*

***NOVEMBER 2022 and LATER***

## DIMENSIONAL DRAWING



## SAFETY PROCEDURE & WARNINGS



**WARNING: High Pressure Systems require a primary pressure regulating device (i.e. regulator, unloader) and a secondary pressure relief device (i.e. pop-off valve, relief valve). Failure to install such relief devices properly could result in personal injury or damage to pump or property. GP does not assume any liability or responsibility for the operation of the user's high pressure system.**



**During use, never exceed the maximum values of pressure, flow rate and temperature as stated in this document.**



**Maintenance and repair must be carried out by qualified and authorized staff only. Replace the filter parts with original spare parts only.**



**From time to time, it is necessary to check that the parts which are under pressure do not show cracks and/or leakages; the frequency of this check depends on the actual use. Inspect and clean the screen regularly.**



**WARNING: This product can expose you to chemicals including lead, which is known to the state of California to cause cancer and birth defects or other reproductive harm. For more information, go to [www.P65Warnings.ca.gov](http://www.P65Warnings.ca.gov)**

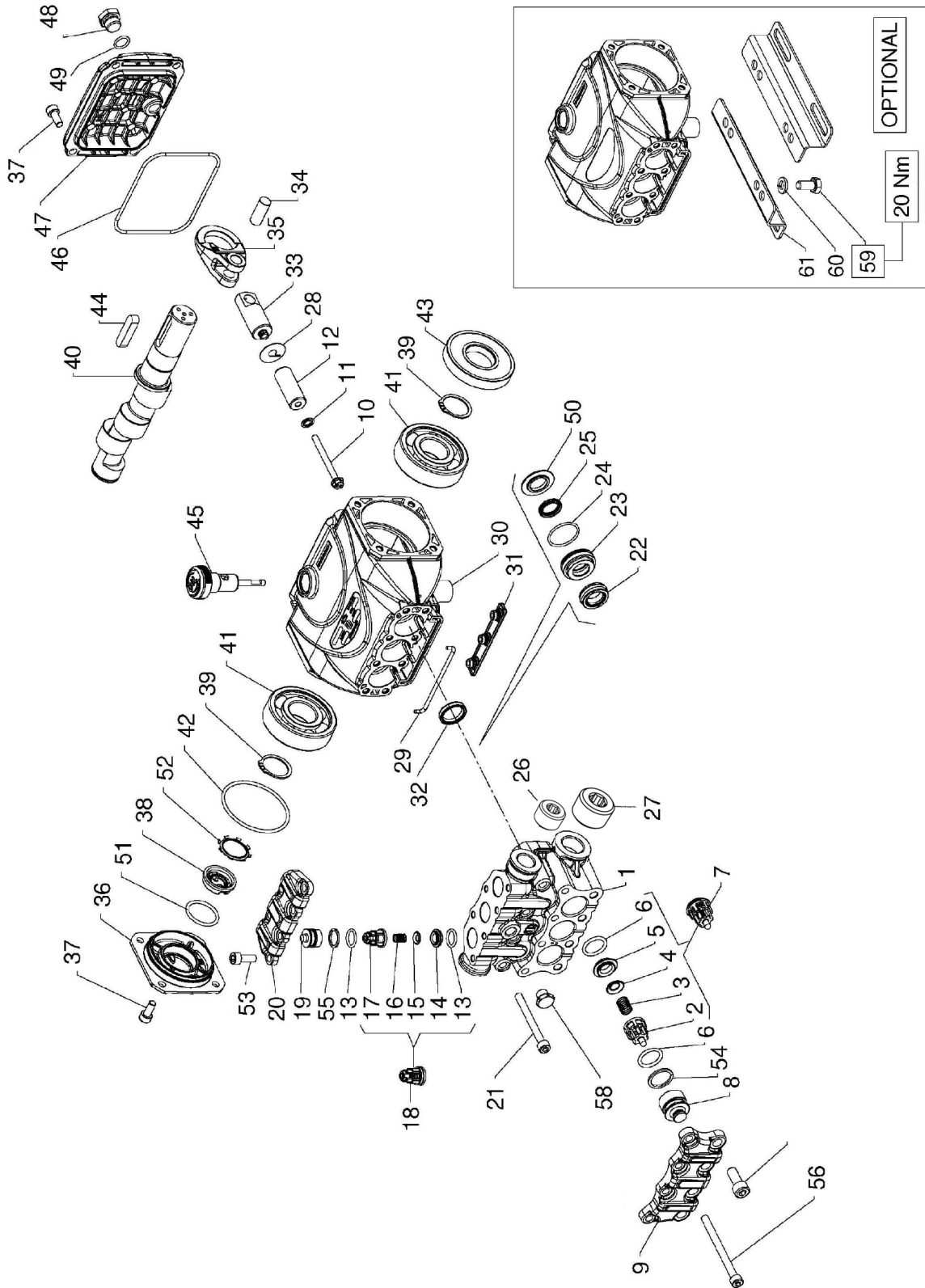
# EWM Series

24 mm Solid Shaft

**GENERAL PUMP** A member of the Interpump Group

**NOVEMBER 2022 and LATER**

## EXPLODED VIEW



# EWM Series

## 24 mm Solid Shaft

**GENERAL PUMP** A member of the Interpump Group

**NOVEMBER 2022 and LATER**

### PARTS LIST

| Item | Part #   | Description                                | QTY. |
|------|----------|--|------|
| 1    | 53123936 | Manifold, Ø 18                             | 1    |
| 2    | 36202551 | Valve Cage                                 | 3    |
| 3    | 94737300 | Spring, 9.4x14.8mm, SS                     | 3    |
| 4    | 36200176 | Spherical Valve                            | 3    |
| 5    | 36203666 | Valve Seat, SS                             | 3    |
| 6    | 701115   | O-ring, Ø17.13x2.62                        | 6    |
| 7    | 36713001 | Valve Assembly                             | 3    |
| 8    | 53212556 | Inlet Valve Plug                           | 3    |
| 9    | 53212336 | Inlet Valve Plate                          | 3    |
| 10   | 99169000 | Plunger Bolt, M5x55                        | 3    |
| 11   | 96690500 | Washer, Ø 5x11.5x0.4                       | 3    |
| 12   | 63040509 | Plunger, Ø 18x38.5                         | 3    |
| 13   | 90367400 | O-ring, Ø15.60x1.78                        | 3    |
| 14   | 53211166 | Valve Seat                                 | 3    |
| 15   | 36211276 | Poppet Valve, Outlet                       | 3    |
| 16   | 94733300 | Spring, Ø6.8x10.8                          | 3    |
| 17   | 36211151 | Valve Cage, Outlet                         | 3    |
| 18   | 36724501 | Valve Assembly                             | 3    |
| 19   | 36217851 | Outlet Valve Plug                          |      |
| 20   | 53212436 | Outlet Valve Plate                         |      |
| 21   | 99199200 | Screw, M6x60                               | 8    |
| 22   | 90221000 | Seal, HP, HT, 18 X 28 X 10                 | 3    |
| 23   | 53210956 | Seal Case, 18MM,                           | 3    |
| 24   | 90220000 | Seal, LP, 18.0x22.5                        | 3    |
| 25   | 90360400 | O-Ring, Ø 25.12x1.78                       | 3    |
| 26   | 520063   | Plug, 3/8"-18 NPT (OPTIONAL, not included) | 3    |
| 27   | 520062   | Plug, 1" NPT (OPTIONAL, not included)      | 1    |
| 28   | 96699000 | Washer, Ø 7.5x23x.5                        | 3    |
| 29   | 53210382 | Gasket, Ø 3.0x85                           | 1    |
| 30   | 53010122 | Crankcase Housing, EWM                     | 1    |
| 31   | 58210451 | Cover, Drip                                | 1    |

| Item | Part #   | Description                          | QTY. |
|------|----------|--------------------------------------|------|
| 32   | 90159300 | Oil Seal, Ø18x24x4                   | 3    |
| 33   | 53050166 | Plunger Guide                        | 3    |
| 34   | 97733800 | Wrist Pin, Ø10x26.5                  | 3    |
| 35   | 53030022 | Connecting Rod                       | 3    |
| 36   | 53150122 | Cover, Case                          | 18   |
| 37   | 99183800 | Screw, M6x14                         | 8    |
| 38   | 53210851 | Oil Sight Glass                      | 1    |
| 39   | 90385900 | O-ring, Ø25.07x2.62                  | 1    |
| 40   | 60020465 | Crankshaft, EWM1815S                 | 1    |
|      | 60020965 | Crankshaft, EWM2515S                 | 1    |
|      | 53021135 | Crankshaft, EWM4215S                 | 1    |
| 41   | 91832800 | Crankshaft Bearing                   | 1    |
| 42   | 90389800 | O-ring, Ø56.82x2.62                  | 2    |
| 43   | 90164100 | Ring, Ø25.0x62.0x10.0                | 1    |
| 44   | 91489200 | Tab, 8.0x7.0x35.0                    | 1    |
| 45   | 98210800 | Dipstick, G3/8"x45                   | 1    |
| 46   | 90391700 | O-ring, Ø88.57x2.62                  | 1    |
| 47   | 53160122 | Back Cover                           | 1    |
| 48   | 98204000 | Plug, G1/4"x9                        | 1    |
| 49   | 90358500 | O-ring, Ø10.82x1.78                  | 1    |
| 50   | 53211056 | Support, Ring, 18MM                  | 3    |
| 51   | 90385900 | O-ring, Ø25.07x62, NBR 70SH 3100     | 1    |
| 52   | 90067100 | Stop Ring, ZJ30                      | 1    |
| 53   | 99186800 | Screw, M6x18                         | 6    |
| 54   | 90514650 | Anti-extrusion Ring, Ø 22.4x18.3x1.5 | 3    |
| 55   | 90509300 | Anti-extrusion Ring, Ø 16.4x13.2x1.3 | 3    |
| 56   | 99199830 | Screw, m6x75                         | 4    |
| 57   | 99305800 | Screw, M8x20                         | 4    |
| 58   | 98196500 | Plug, G1/8x8                         | 1    |
| 59   | 99303700 | Screw, M8x16                         | 4    |
| 60   | 96701600 | Washer, Ø8.4x14.4x2.0                | 4    |
| 61   | 50200074 | Pump Foot                            | 2    |

### REPAIR KITS

| KIT NO.                     | K341               | K334                    | K311 | K382       | K384           |
|-----------------------------|--------------------|-------------------------|------|------------|----------------|
| ITEM NO'S INCLUDED IN KIT   | 2, 3, 4, 5, 6, (7) | 13, 14, 15, 16, 17 (18) | 32   | 22, 24, 25 | 22, 23, 24, 25 |
| NUMBER OF ASSEMBLIES IN KIT | 3                  | 3                       | 3    | 3          | 1              |

### TORQUE SPECS\*

| ITEM | Ft-lbs | Nm |
|------|--------|----|
| 10   | 4.4    | 6  |
| 21   | 8.9    | 12 |
| 26   | 30     | 40 |
| 27   | 29.5   | 40 |
| 37   | 7.4    | 10 |
| 48   | 17.4   | 20 |
| 53   | 8.9    | 12 |
| 56   | 8.9    | 12 |
| 57   | 22.1   | 30 |
| 58   | 9.6    | 13 |

\*Decrease torque by 20% if threads are lubricated.

