

EWM Series

5/8" Hollow Shaft

FEB 1, 2023 and LATER



*Shown in right hand configuration.
Designate "L" when ordering.
EX: EWM1615CL

FEATURES

- 316 Stainless Steel fluid end for superior corrosion protection
- Designed for use in salt water applications
- Solid ceramic plungers with advanced surface finish assure durability and longevity.
- Compact design offers solutions to space limitations
- 56C mounting flange
- Use motor #639610, 2.5 HP, 50/60 Hz for 4.2 GPM version

SPECIFICATIONS

Pump Model	EWM0515C	EWM0815C	EWM1015C	EWM1615C	EWM2315C	EWM3015C	EWM3715C	EWM4215C
Maximum Volume	0.5 GPM	0.8 GPM	1.1 GPM	1.6 GPM	2.3 GPM	3.0 GPM	3.7 GPM	4.2 GPM
Maximum Discharge Pressure	1,500 PSI							
Maximum Pump Speed	1750 RPM							
Rated Inlet Pressure	125 PSI							
Plunger Bore (in / mm)	.709/18 mm							
Plunger Stroke (in / mm)	.079 in/2mm	.118 in/3mm	.157 in/4mm	.197/5mm	.283/7.2mm	.370/9.4mm	.452/11.5mm	.484/12.3mm
Crankcase Oil Capacity	8.5 oz.							
Maximum Fluid Temperature	185° F							
Inlet Port Thread	1/2" NPT-F							
Discharge Port Thread	3/8" NPT-F							
Shaft Diameter	5/8" Hollow							
Weight	11.05 lbs.							
Dimensions	7.5" x 7.5" x 5.5"							

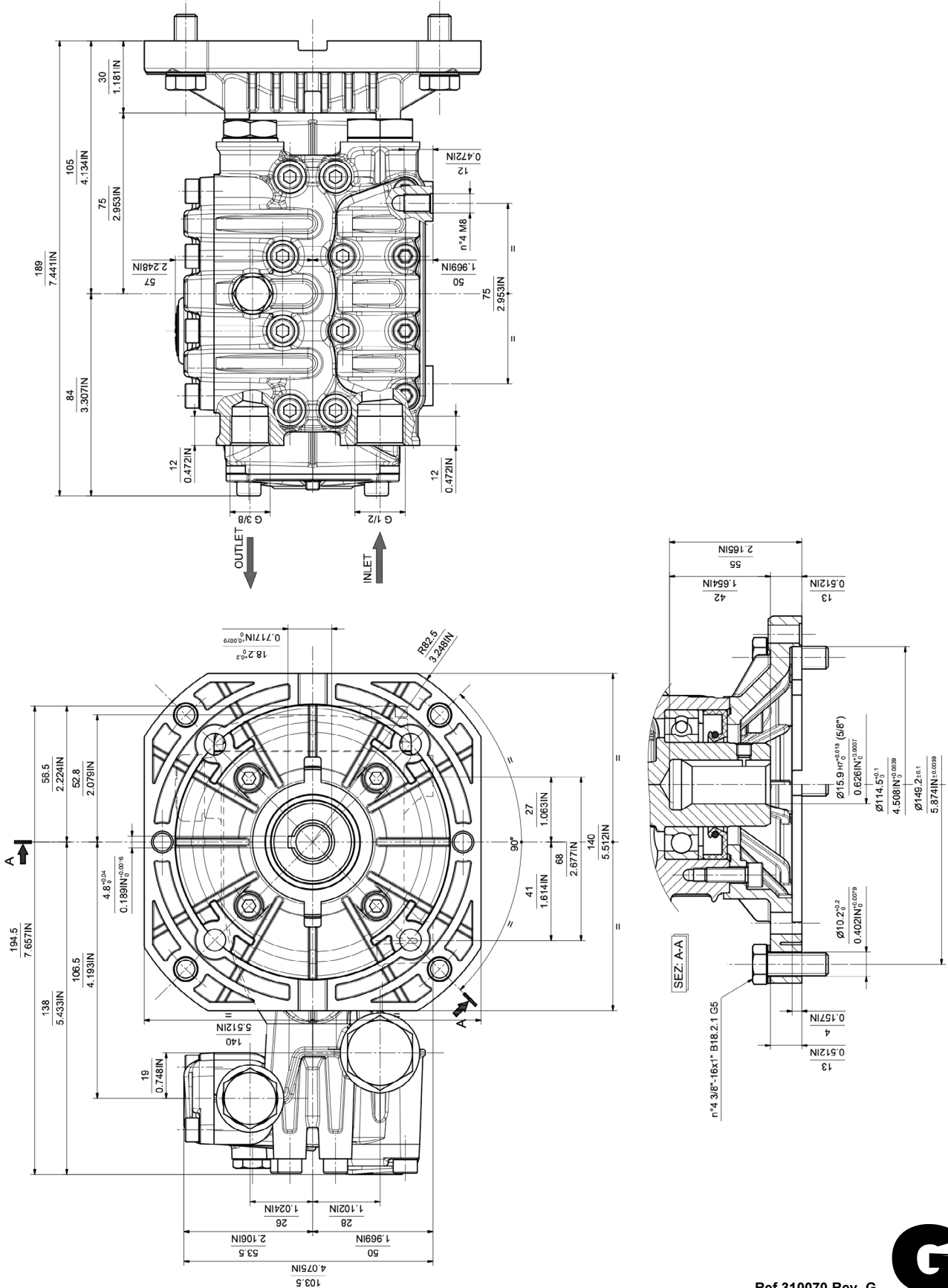
EWM Series

5/8" Hollow Shaft

DIMENSIONAL DRAWING

GENERAL PUMP *A member of the Interpump Group*

FEB 1, 2023 and LATER



Ref 310070 Rev. G
08-23



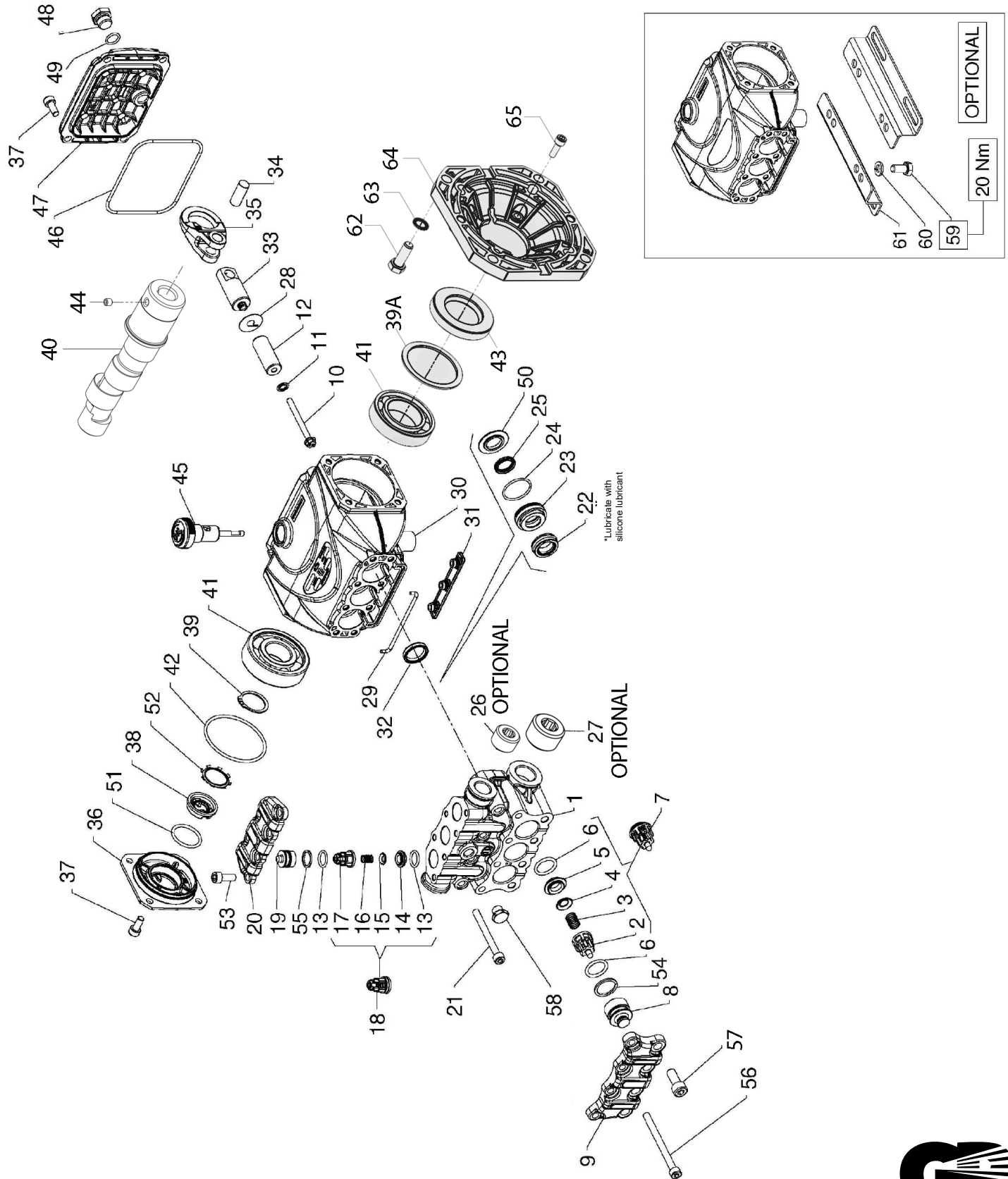
EWM Series

5/8" Hollow Shaft

GENERAL PUMP A member of the Interpump Group

FEB 1, 2023 and LATER

EXPLODED VIEW



EWM Series

5/8" Hollow Shaft

GENERAL PUMP A member of the Interpump Group

FEB 1, 2023 and LATER

PARTS LIST

Item	Part No.	Description	QTY.
1	53123936	Manifold, Ø 18	1
2	36202551	Valve Cage	3
3	94737300	Spring, 9.4x14.8mm, SS	3
4	36200176	Spherical Valve	3
5	36203666	Valve Seat, SS	3
6	701115	O-ring, Ø17.13x2.62	6
7	36713001	Valve Assembly	3
8	53212556	Inlet Valve Plug	3
9	53212336	Inlet Valve Plate	3
10	99169000	Plunger Bolt, M5x55	3
11	96690500	Washer, Ø 5x11.5x0.4	3
12	63040509	Plunger, Ø 18x38.5	3
13	90367400	O-ring, Ø15.60x1.78	3
14	53211166	Valve Seat	3
15	36211276	Poppet Valve, Outlet	3
16	94733300	Spring, Ø6.8x10.8	3
17	36211151	Valve Cage, Outlet	3
18	36724501	Valve Assembly	3
19	36217851	Outlet Valve Plug	3
20	53212436	Outlet Valve Plate	1
21	99199200	Screw, M6x60	8
22	90221000	Seal, HP, HT, 18 X 28 X 10	3
23	53210956	Seal Case, 18MM,	3
24	90220000	Seal, LP, 18.0x22.5	3
25	90360400	O-Ring, Ø 25.12x1.78	3
26	520063	Plug, 3/8"-18 NPT (OPTIONAL, not included)	1
27	520062	Plug, 1/2" NPT (OPTIONAL, not included)	1
28	96699000	Washer, Ø 7.5x23x.5	3
29	53210382	Gasket, Ø 3.0x85	1
30	53010022	Crankcase Housing	1
31	58210451	Cover, Drip	1
32	90159300	Oil Seal, Ø18x24x4	3
33	53050166	Plunger Guide	3
34	97733800	Wrist Pin, Ø10x26.5	3
35	53030022	Connecting Rod	3
36	53150022	Cover, Case	18
37	99183800	Screw, M6x14	8

Item	Part No.	Description	QTY.
38	53210851	Oil Sight Glass	1
39	90063500	Stop Ring, A25	2
39A	60210189	O-ring, Ø25.07x2.62	1
40	60022465	Crankshaft, 5 mm, 5/8, Hollow	1
	60022965	Crankshaft, 7.2 mm, 5/8, Hollow	
	60023465	Crankshaft, 9.4 mm, 5/8, Hollow	
	60022265	Crankshaft, 4 mm, 5/8, Hollow	
	60028065	Crankshaft, 2 mm, 5/8, Hollow	
	53020365	Crankshaft, 3mm, 5/8, Hollow	
	53020465	Crankshaft, 11.5mm, 5/8, Hollow	
53020565	Crankshaft, 12.3mm, 5/8, Hollow		
41	91846400	Crankshaft Bearing	2
42	90389800	O-ring, Ø56.82x2.62	1
43	90167500	Shaft Seal, Ø35x62x10	1
44	99179000	Screw, M6x6	1
45	98210800	Dipstick, G3/8"x45	1
46	90391700	O-ring, Ø88.57x2.62	1
47	63160022	Back Cover	1
48	98204000	Plug, G1/4"x9	1
49	90358500	O-ring, Ø10.82x1.78	1
50	53211056	Support, Ring, 18MM	3
51	90385900	O-ring, Ø25.07x62, NBR 70SH 3100	1
52	90067100	Stop Ring, ZJ30	1
53	99186800	Screw, M6x18	6
54	90514650	Anti-extrusion Ring, Ø 22.4x18.3x1.5	3
55	90509300	Anti-extrusion Ring, Ø 16.4x13.2x1.3	3
56	99199830	Screw, m6x75	4
57	99305800	Screw, M8x20	4
58	98196500	Plug, G1/8x8	1
59	99303700	Screw, M8x16	4
60	96701600	Washer, Ø8.4x14.4x2.0	4
61	50200074	Pump Foot	2
62	99334500	Screw, 3/8-16x1	4
63	96710400	Washer, Ø10.5	4
64	10034422	Flange	1
65	99186800	Screw, M6x18	4

REPAIR KITS

KIT NO.	K341	K334	K311	K382	K384	K384C
ITEM NO'S INCLUDED IN KIT	2, 3, 4, 5, 6, (7)	13, 14, 15, 16, 17, (18)	32	22, 24, 25	22, 23*, 24*, 25, 50	22, 23*, 24*, 25, 50
NUMBER OF ASSEMBLIES IN KIT	3	3	3	3	1	3

TORQUE SPECS*

ITEM	Ft-lbs	Nm
10	4.4	6
21	8.9	12
37	7.4	10
48	14.7	20
56	8.9	12
57	8.9	12
59	14.7	20
65	8.9	12

*NOTE: Pusher (p/n 660062) and install guide (p/n 660281) required for installing item 24 in to item 23

*Decrease torque by 20% if threads are lubricated.

WARNING: High Pressure Systems require a primary pressure regulating device (i.e. regulator, unloader) and a secondary pressure relief device (i.e. pop-off valve, relief valve). Failure to install such relief devices properly could result in personal injury or damage to pump or property. GP does not assume any liability or responsibility for the operation of the user's high pressure system.



WARNING: This product can expose you to chemicals including lead, which is known to the state of California to cause cancer and birth defects or other reproductive harm. For more information, go to www.P65Warnings.ca.gov

