

# EV Series

## FEATURES

- "HR" coating on manifold 30 times more resistance to salt water mist from road spray
- Triplex Plunger Pump, available in 5 plunger diameters
- Patent-pending, symmetrical power end design featuring top and bottom mounting holes allowing for easy left to right shaft conversion
- Low-high pressure packing design with integrated cooling system, no greasing required
- High volumetric efficiency suction/delivery valves featuring new spherical design of sealing areas
- Splash lubrication
- SAE-B hydraulic drive available with hollow splined shaft or bell housing



## MATERIALS

- High resistance light alloy die cast aluminum crankcase
- GS600 cast iron manifold, HR treated
- Taper roller bearings
- Special anti-friction, forged, light alloy connecting rods
- Forged alloy steel crankshaft, hardened, tempered and nitrided
- Solid ceramic plungers
- Stainless steel valves

## COMMON SPECIFICATIONS

- Maximum Inlet Pressure: . . . . . 45 PSI
- Maximum Fluid Temperature: . . . . . \*140° F
- Inlet Port Thread: . . . . . 1" NPT-F
- Discharge Port Thread: . . . . . 1/2" NPT-F
- Shaft Diameter: . . . . . 1.102"/28 mm
- Stroke: . . . . . 1.379"/35 mm
- Pump Dimensions: . . . . . 17.1" x 12.1" x 6.8"
- Crankcase Oil Capacity: . . . . . 60.7 oz. (1.8 liters)  
 . . . . . (use GP Series 220 Oil)
- Shipping Weight . . . . . 65 lbs./29.5 kg

Product Group: V

\*Please consult technical guide or GP Sales Representative for Temperature/Inlet Pressure Information.

Note: All models come standard with crankshaft on right side (when facing manifold).

MODEL	GPM/LPM	PSI/BAR	RPM	BORE	HP
EV20A	12.6 GPM/48 LPM	3770 PSI/260 BAR	1450 RPM	.787 in./20 mm	33
EV20A	15.3 GPM/58 LPM	3770 PSI/260 BAR	1750 RPM	.787 in./20 mm	40
EV22A	15.3 GPM/58 LPM	3000 PSI/207 BAR	1450 RPM	.866 in./22 mm	32
EV22A	18.4 GPM/70 LPM	3000 PSI/207 BAR	1750 RPM	.866 in./22 mm	38
EV25A	19.8 GPM/75 LPM	3000 PSI/207 BAR	1450 RPM	.984 in./25 mm	41
EV25A	23.7 GPM/90 LPM	3000 PSI/207 BAR	1750 RPM	.984 in./25 mm	49
EV26A	21.4 GPM/81 LPM	2610 PSI/180 BAR	1450 RPM	1.024 in./26 mm	38
EV26A	25.8 GPM/98 LPM	2610 PSI/180 BAR	1750 RPM	1.024 in./26 mm	46
EV28A	24.8 GPM/94 LPM	2000 PSI/138 BAR	1450 RPM	1.102 in./28 mm	34

Volumes are theoretical at 100% volumetric efficiency.

Above pumps also available with crankshaft on left side. To order, add an "L" to the end of the model number.

## PUMP OPTIONS

- SAE-J 744-B hydraulic drive available with hollow splined shaft or bell housing.
- Rail Kit - GP Part No. 101156 - 3" Tall



General Pump  
 is a member of  
 The Interpump Group

Ref 301040 Rev. C  
 10-21



## ACCESSORIES

### REGULATORS

■ R1

18.5-29.0 GPM  
2900-8700 PSI



■ R1X

18.5-29.0 GPM  
2900-8700 PSI  
316 SS



■ ZKSX1

16.0 GPM  
3600 PSI  
316 SS



■ YRVPP26SS

21.0 GPM  
4500 PSI



### GUNS / LANCES

■ ZP87SSL19/39/19S/39S

15.85 GPM  
8700 PSI



■ YG7221/L31-YG7221/51

21.0 GPM  
7250 PSI



■ YRL56L

8.0 GPM  
5650 PSI



### SAFETY DEVICES

■ SV2

50.0 GPM  
1450-8700PSI



■ SX2

50.0 GPM  
1450-5899 PSI



■ ZKS3

2.6-26.4 GPM  
0-10150 PSI



■ 100984

6.0-10.0 GPM  
4500 PSI



### PULSATION DAMPENERS

■ A4X

16.0 GPM  
3050PSI



■ A7S

43.0 GPM  
4750 PSI



■ 686028

10.0 GPM  
3000 PSI  
Rechargeable



■ 686011

6.0-10.0 GPM  
4500 PSI  
Non-  
Rechargeable



### UNLOADERS

■ RA2

61.0 GPM  
3050 PSI



■ ZK7216SS

15.85 GPM  
7200 PSI



■ ZK5813

13.2 GPM  
5800 PSI



■ YU2140

21.0 GPM  
4060 PSI



### MISCELLANEOUS

■ 320001/  
320003

3000/5000 PSI  
Pressure  
Gauge



■ ZRMAX

1.4-13.9 GPM  
11000/22000 PSI  
Rotating Nozzle



■ Y7K

7000 PSI  
Rotating  
Nozzle



■ 639273

55.0 GPM  
50/297 Mesh/  
Micron  
Filter



■ 190448

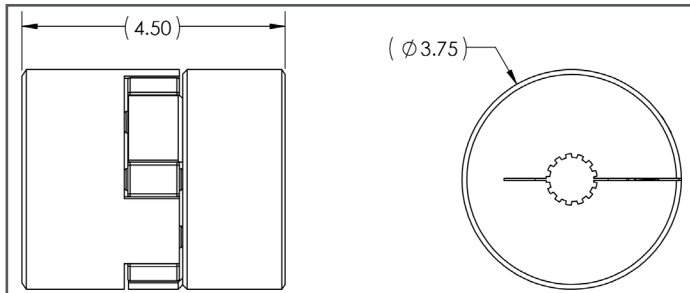
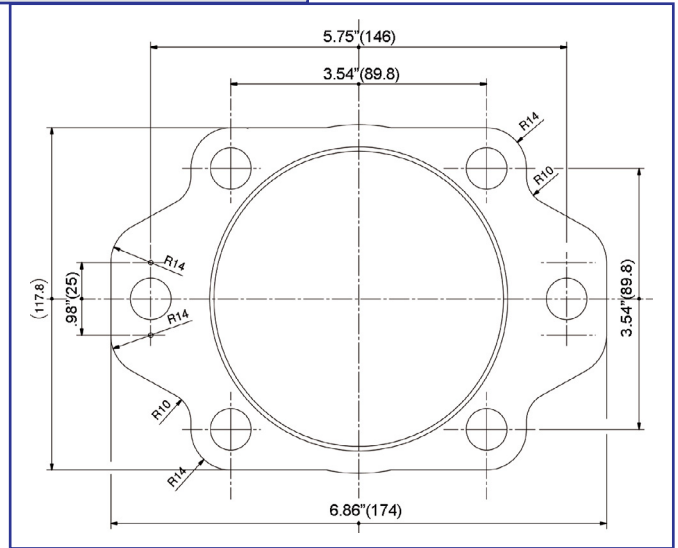
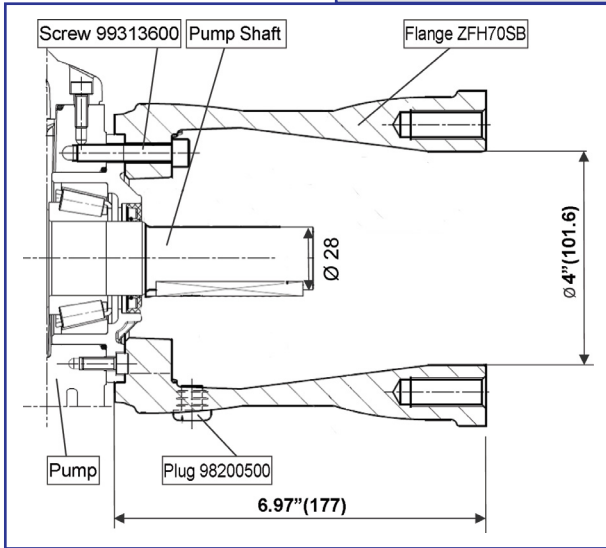
Oil Drain Kit





## DRIVE OPTIONS

### ZFH70SB SAE-B 2 & 4 Bolt Hydraulic Bell Flange



### 637061 Flexible Coupler Side 1: 7/8"-13 Tooth Spline (SAE B) Side 2: 28 MM Keyed

### SAE J744-B Spline Shaft 13T 16/32 DP Hydraulic Drive.

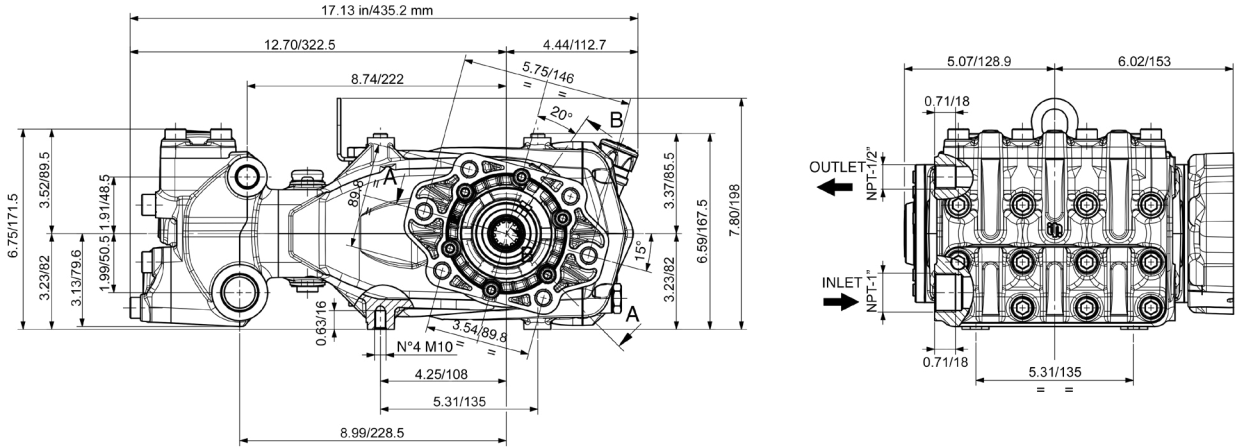


### ZRPM1 RPM Counter Inductive proximity sensor, c/w female connector M12 4 pin, IP67, field attach- able, ring nut reduction M18 x 1. Power Supply: 12/24 VDC

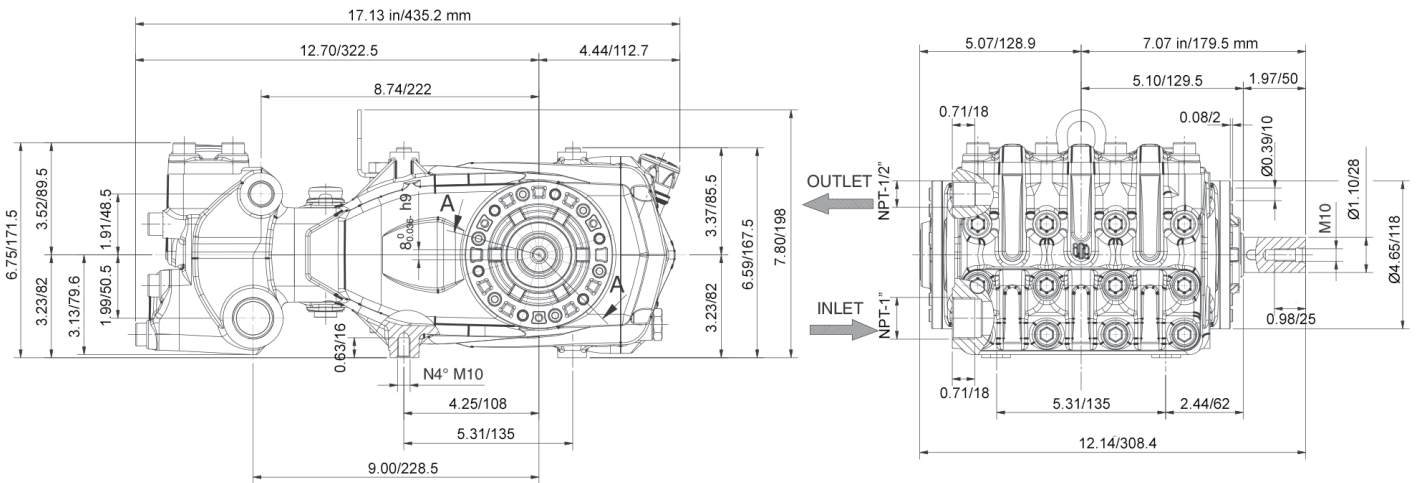




### HYDRAULIC FLANGE DIMENSIONS



### OVERALL DIMENSIONS



### Optional Rail Kit: GP Part No. 101156

