

FEATURES

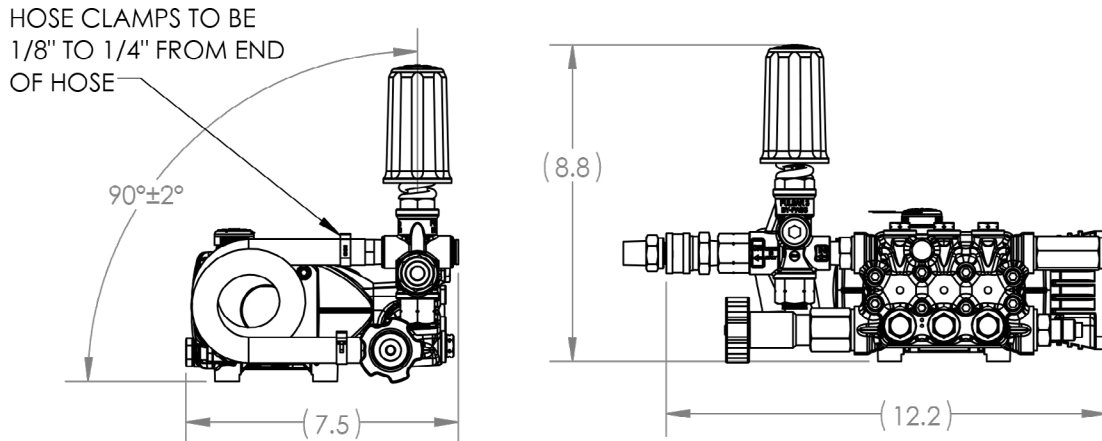
- Pump is ready to use right out of the box
- ET1507G6/ET1506G6 Pump with SAE J609A Gas Flange
- PULSAR4KHPEZ Unloader, 4050 PSI, 10 GPM
- 3/8" Quick Coupler and 3/8" Plug Included
- 3/4" Garden Hose Inlet Fitting with 1/4" Side Port
- 3/8" Hose Barb and Clamp Keeps Hose Secure and Sealed
- General Pump recommends installing a secondary relief and pressure gauge



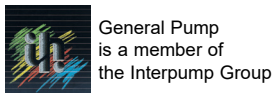
SPECIFICATIONS

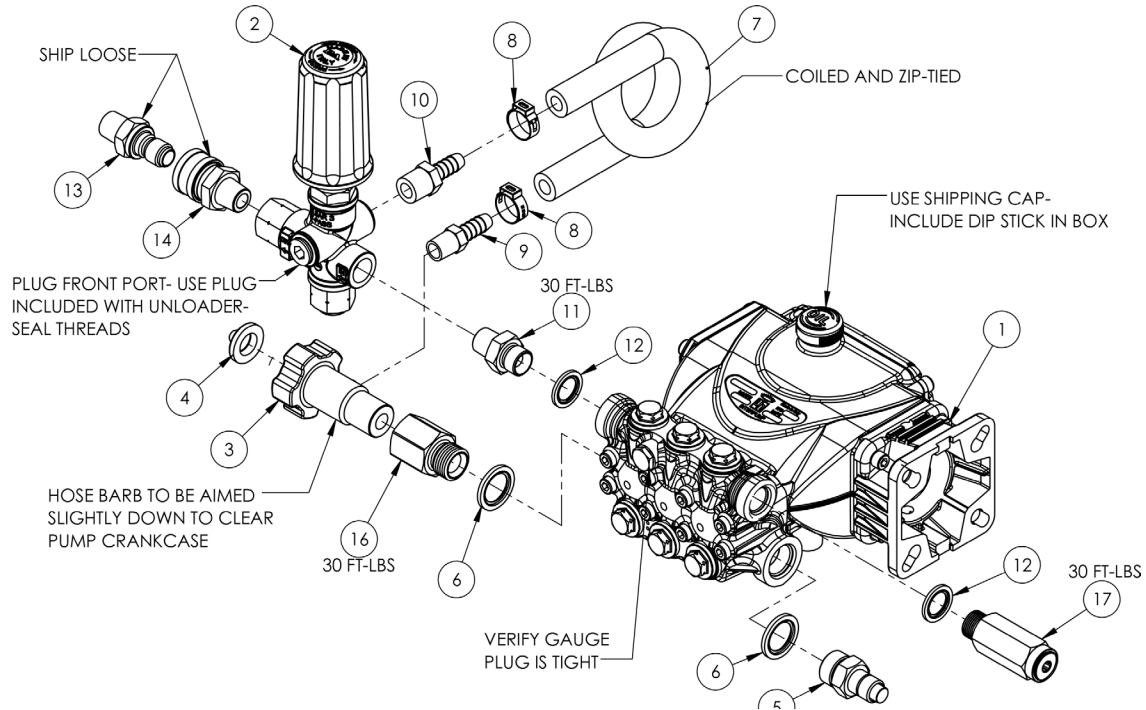
Pump Model	PMRET1506G6	PMRET1507G6
Maximum Volume	2.9 GPM	3.2 GPM
Maximum Discharge Pressure	2610 PSI	
Maximum Pump Speed	3400 RPM	
Maximum Inlet Pressure	125 PSI	
Maximum Inlet Vacuum	3 ft. water (2.6 in. Hg)	
Plunger Bore	.591 in. / 15 mm	
Plunger Stroke	.256 in./6.5 mm	.283 in. / 7.2 mm
Crankcase Oil Capacity	8.5 oz.	
Maximum Fluid Temperature	165° F	
Inlet Port Thread	1/2-14 BSP-F	
Discharge Port Thread	3/8-19 BSP-F	
Shaft Diameter	3/4 in. / 19.05 mm	
Weight	11.0 lbs.	
Dimensions	7.4" x 7.7" x 3.3"	

DIMENSIONAL DRAWING



Note: Verify dimensions before ordering. Item 5 (PTP) or item 17 (SRV) may interfere with some engines







PARTS LIST


Item No.	Part No.	Description	QTY.
1.	ET1506G6	Pump, EP, Gas Flange, 3/4" Hollow Shaft, 2.9 GPM, 2610 PSI, 3400 RPM	1
	ET1507G6	Pump, EP, Gas Flange, 3/4" Hollow Shaft, 3.2 GPM, 2610 PSI, 3400 RPM	
2.	PULSAR4KHPEZ	Unloader, T.P., 4050 PSI, 10.5 GPM, EZ Start	1
3.	680017WO	Inlet Fitting Assy, Long, 1/2" NPT, 1/4" Port,	1
4.	D10018	Filter Washer	1
5.	2100612MB	Valve, PTP, 1/2" BSPP-M 140-151 Deg, 145 PSI	1
6.	680110	Seal Ring, 1/2" BSPP	2
7.	639387	Hose, 3/8" ID, 250 PSI BLK, 2 FT	1
8.	639897	Hose Clamp, Crimp Type, 39/64" to 47/64", 9/32" WD	2
9.	638147	3/8" Hose Barb x 1/4" NPT	1
10.	638148	3/8" Hose Barb x 3/8" NPT	1
11.	639298	Adapter, Hex, 3/8" BSPP-M x 3/8" NPT, Steel, 5000 PSI	1
12.	680029	Washer, Face Seal, 3/8" BSP	1
13.	D11009	Plug, 3/8" QC x 3/8" NPT-M, Zinc Plated Steel, Hardened	1
14.	D10004	Coupler, 3/8" QC x 3/8" NPT-M, Brass	1
15.	400128	Warning Label, Prop 65, 1.5" x.25" WD	1
16.	639385	Fitting, 1/2" F-NPT x 1/2" BSPP	1
17.	10113632	ASSY, SRV, 3/8" BSPP-M End Discharge, Preset 3200 PSI	1

WARNINGS

WARNING: High Pressure Systems require a primary pressure regulating device (i.e. regulator, unloader) and a secondary pressure relief device (i.e. pop-off valve, relief valve). Failure to install such relief devices properly could result in personal injury or damage to pump or property. GP does not assume any liability or responsibility for the operation of the user's high pressure system.

 During use, never exceed the maximum values of pressure, flow rate and temperature as stated in this document.

 Maintenance and repair must be carried out by qualified and authorized staff only. Replace the filter parts with original spare parts only.

 From time to time, it is necessary to check that the parts which are under pressure do not show cracks and/or leakages; the frequency of this check depends on the actual use. Inspect and clean the screen regularly.



WARNING: This product can expose you to chemicals, including lead, which is known to the state of California to cause cancer and birth defects or other reproductive harm. For more information, go to www.P65Warnings.ca.gov