

Triplex Plunger Pump, 3/4" Hollow Shaft

FEATURES

- Triplex plunger pump
- New forged brass manifold, increases working pressure to 4,000 PSI
- New plunger guide bushing (patent pending)
- Solid ceramic plungers with dual glide system
- New dual diameter plunger guide
- New optimized outlet valves
- New dual lip oil seal
- 3/4" hollow shaft, flanged for direct couple to gas engines (SAE J609A)

**SPECIFICATIONS**

Pump Model	EP1505G6	EP1506G6	EP1508G6
Maximum Volume	2.1 GPM	2.9 GPM	3.5 GPM
Maximum Discharge Pressure	3,045 PSI		
Horsepower	6.6 GHP	9.0 GHP	10.9 GHP
Maximum Pump Speed	3400 RPM		
Maximum Inlet Pressure	125 PSI		
Maximum Inlet Vacuum	Flooded		
Plunger Bore	.591 in./15 mm		
Plunger Stroke	.197 in./5 mm	.236 in./6 mm	.315 in./8 mm
Oil Capacity	15 oz.		
Maximum Fluid Temperature	165° F		
Inlet Port Thread	1/2"-14 BSP-F		
Discharge Port Thread	3/8" BSP-F		
Shaft Diameter	.750 in./19 mm		
Weight	15.4 lbs.		
Dimensions	9.5" x 8.45" x 5.1"		

TRIPLEX

TRIPLEX



General Pump
is a member of
the Interpump Group



Ref 300923 Rev. F
01-22



Instructions and Recommendations for the Installation of *EP Series Pumps*

Maximum temperature of the water through the pump is 165°F (73°C).

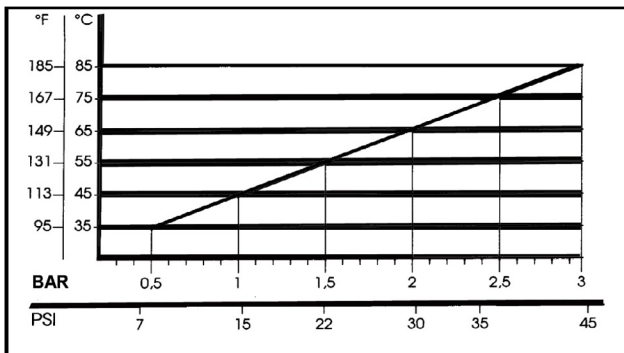
In order to obtain maximum performance in terms of duration of seals and valves, it is necessary to respect a few simple rules, as follows:

1) **In order to avoid damage caused by cavitation, the pump must be pressure fed.**

The higher the inlet pressure, the longer the life of the wet end of the pump.

When working at 165°F (73°C), the minimum feed pressure - measured directly in the inlet port of the pump when it is working - is 45 psi (3 bar).

The minimum feed pressure according to the different temperatures are:



Naturally, if the application allows for feeding the pump with 45 psi (3 bar) even at low temperatures (for example: 115°F/45°C the life of the wet end of the pump will be even longer.

2) **The plumbing which feeds the pump must be of a diameter at least equal to the inlet port.**

Also, follow the suggestions below:

a) Make the plumbing as short and straight as possible, preferably in an upward direction to facilitate the expulsion of eventual air bubbles naturally if compatible with the requirements of the system.

b) It is always useful to put a filter at the inlet with capacity of 4 to 5 times the flow of

the pump, for example for a 4 gpm (15 l/min) pump, put a filter from 16 to 20 gpm (60-75 l/min). The mesh size suitable for this application is 0.016" (.4 mm).

c) It is extremely important to put a pressure switch on the suction port of the pump, and in any case downstream from the filter, so that it can stop the pump should the feed pressure drop by 20% due to the filter clogging or failure of the feed pump, etc.

3) **Change of oil**

We recommend the **first oil change after the first 50 hours**, with the **pump stopped** and the **oil still warm**.

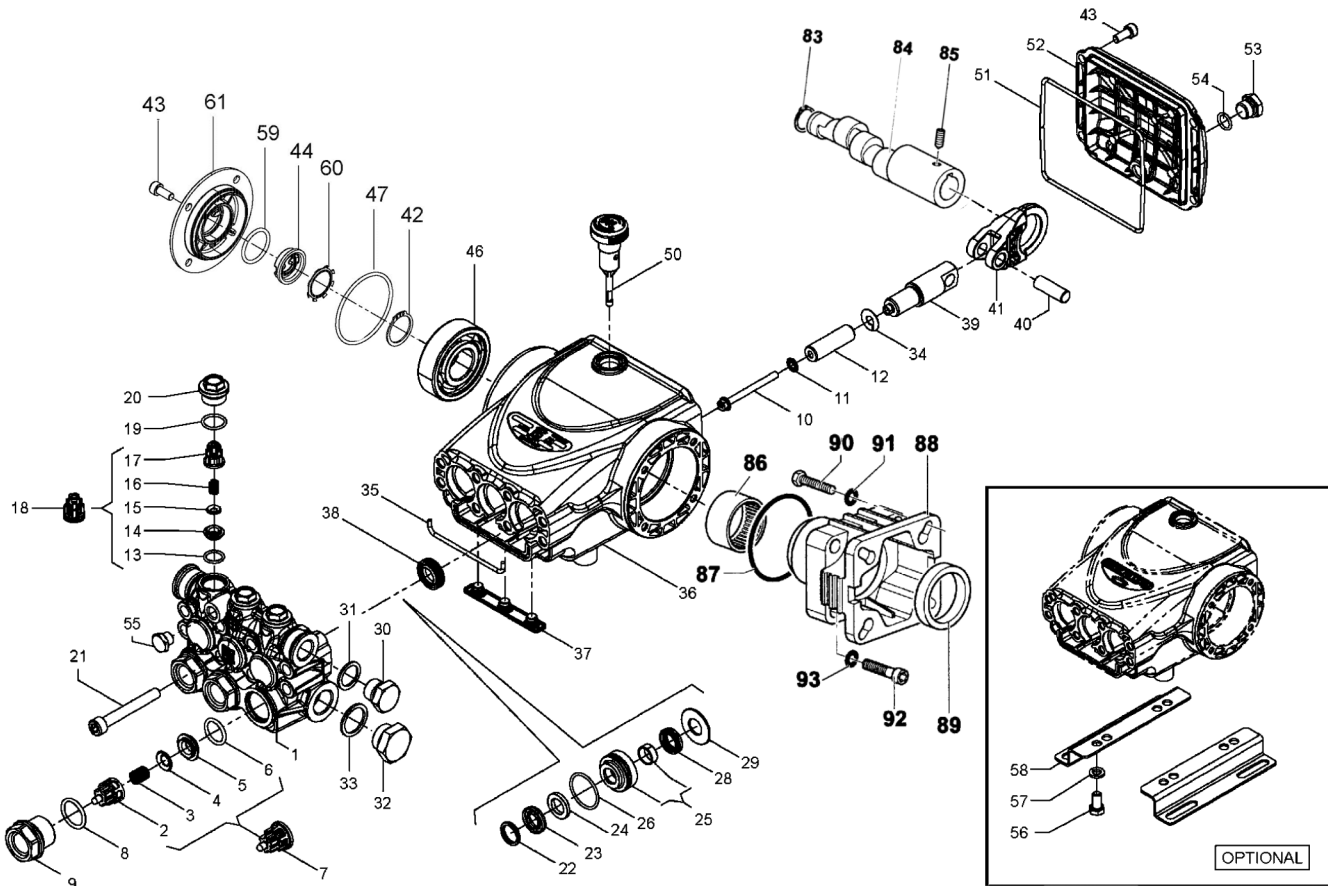
This change is not recommended because the oil has lost its properties, but rather to eliminate the impurities that have gotten into the oil during the running-in phase. If these impurities are not removed, but are allowed to remain in the oil, they *may cause premature wear* to the moving parts and the oil seals. **After this initial change, the oil can then be changed every three months or 300 hours of operation thereafter.**

Please note: If the pump works in conditions with high humidity and with sharp temperature changes, it is possible that condensation will appear inside the crankcase, which mixing with the oil can change its properties. This is easy to see because the oil changes to a white, milky color.

If the pump does not have excessive water leaking from the packings, and the oil becomes milky, the oil has to be changed more frequently. The percentage of water in the oil must not exceed 20%.

Use oil per the following chart:

CHART OF COMPATIBLE OILS SAE15W40	
General Pump	Series 100
BP	VISCO 2000
CASTROL	CWX
MOBIL	SUPER
SHELL	HELIX SUPER
TOTAL	QUARTZ 4000-5000



PARTS LIST

ITEM	PART NO.	DESCRIPTION	QTY	ITEM	PART NO.	DESCRIPTION	QTY	ITEM	PART NO.	DESCRIPTION	QTY
1.	58120041	Manifold, Ø 13	1	24.	90507650	Anti-ext. Ring, Ø 13	3	53.	98204100	Plug, 1/4"x9	1
	58120141	Manifold, Ø 15	1		90508990	Anti-ext. Ring, Ø 15	3	54.	701013	O-ring, Ø 10.82x1.78	1
2.	36202551	Valve Cage	3	25.	58605601	Intermed. Ring, Ø 13	3	51.	90392550	O-ring, Ø 113.97x2.62	1
3.	94737600	Spring, Ø 9.4x14.8	3		58605701	Intermed. Ring, Ø 15	3	55.	98196600	Plug, 1/8"x8	1
4.	36200176	Poppet	3	26.	701023	O-ring, 26.7x1.78	3	56.	99303700	Screw, Hex Head	4
5.	36200366	Valve Seat	3	28.	90260100	Seal, Ø 13, LP	3	57.	96701600	Washer, Ø 8.4	4
6.	701115	O-ring, Ø17.13x2.62	3		90260800	Seal, Ø 15, LP	3	58.	50200074	Pump Foot	2
7.	36711501	Valve Assembly	3		710030	Seal, Ø 15, LP (K276H, K312H)	3	59.	90385900	O-ring Ø 25.07x2.62	1
8.	701002	O-ring, Ø20.24x2.62	3	29.	58210670	Support Ring, Ø 13	3	60.	90067100	Stop Ring	1
9.	98222600	Valve Cap, M24x1.5x16.7	3		58210770	Support Ring, Ø 15	3	61.	58150122	Side Cover	1
10.	99169000	Plunger Bolt, M5x55	3	30.	98210000	Plug, 3/8"x13	1	83.	90063500	Circlip, Ø 25	1
11.	96690500	Washer, Ø 5x11.5x0.4	3	31.	96738000	Gasket, 17.5x23x1.5	1	84.	63026265	Crankshaft, 5 mm (EP1505G6)	1
12.	58040009	Plunger, Ø 13x42	3	32.	98217600	Plug, 1/2" BSPx10	1		63026465	Crankshaft, 6.5 mm (EP1506G6)	1
	58040109	Plunger, Ø 15x42	3	33.	96751400	Gasket, Ø 21.5x27x1.5	1		63026665	Crankshaft, 8 mm (EP1508G6)	1
13.	701014	O-ring, Ø 12.42x1.78	3	34.	96698000	Washer, Ø 7.5x15x0.5	3	85.	99179000	Set Screw, M6x6	1
14.	36211366	Outlet Valve Seat	3	35.	58210582	Gasket, Ø 3x94	1	86.	91856800	Needle Bearing	1
15.	36211276	Outlet Valve Poppet	3	36.	58010022	Crankcase	1	87.	90409700	O-ring, Ø 55.56x3.53	1
16.	94733300	Spring, Ø 6.2x10.4	3	37.	58210451	Drip Cover	1	88.	10061722	Flange, Gas	1
17.	36211151	Outlet Valve Cage Guide	3	38.	90156550	Oil Seal, Ø 15x24x5.7	3	89.	90168700	Oil Seal, Ø 45x60x8	1
18.	36719301	Complete Outlet Valve	3	39.	58050066	Piston Guide	3	90.	99273000	Screw, Hex Head	4
19.	701016	O-ring, Ø 15.6x1.78	3	40.	97734000	Piston Pin, Ø 10x29.5	3	91.	96701400	Washer, Ø 8.4x13x0.8	4
20.	98213700	Outlet Valve Cap, M18x1.5x10	3	41.	58030022	Connecting Rod	3	92.	99191200	Screw, M6x30	4
21.	99317500	Screw, M8x60	8	42.	90063500	Stop Ring Ø 25	1	93.	203510	Washer, Ø6.4x10x0.7	1
22.	44100251	Head Ring, Ø 13	3	43.	99183700	Screw M6x14	12				
	63101051	Head Ring, Ø 15	3	44.	53210851	Oil Level Indicator	1				
23.	90260200	Packing, Ø 13, HP	3	47.	90389800	O-ring Ø 56.82x2.62	1				
	90261100	Packing, Ø 15, HP	3	50.	98210500	Oil Dipstick	1				
	710031	Packing, Ø 15, HP (K276H, K312H)	3	52.	58160022	Rear Cover	1				

* 53150001 Oil Level Indicator Assembled W/O Screws and O-ring

REPAIR KITS

TORQUE SPECS*

KIT NO.	K269	K270	K271	Ø 13		Ø 15			
				K272	K275	K273	K276	K276H ¹ (Hot Kit)	K312H ¹ (Hot Kit)
ITEM NO'S INCLUDED IN KIT	2, 3, 4, 5, 6, 13, 14, 15, 16, 17, (7), (18)	8, 9, 19, 20	38	22, 23, 24, 26, 28	22, 23, 24, 25, 26, 28, 29	22, 23, 24, 26, 28	22, 23, 24, 25, 26, 28, 29	22, 23, 24, 25, 26, 28, 29	23, 28
NUMBER OF ASSY'S IN KIT	6	6	3	3	1	3	1	3	3
NO. OF CYLINDERS KIT SERVICES	3	3	3	3	1	3	1	3	3

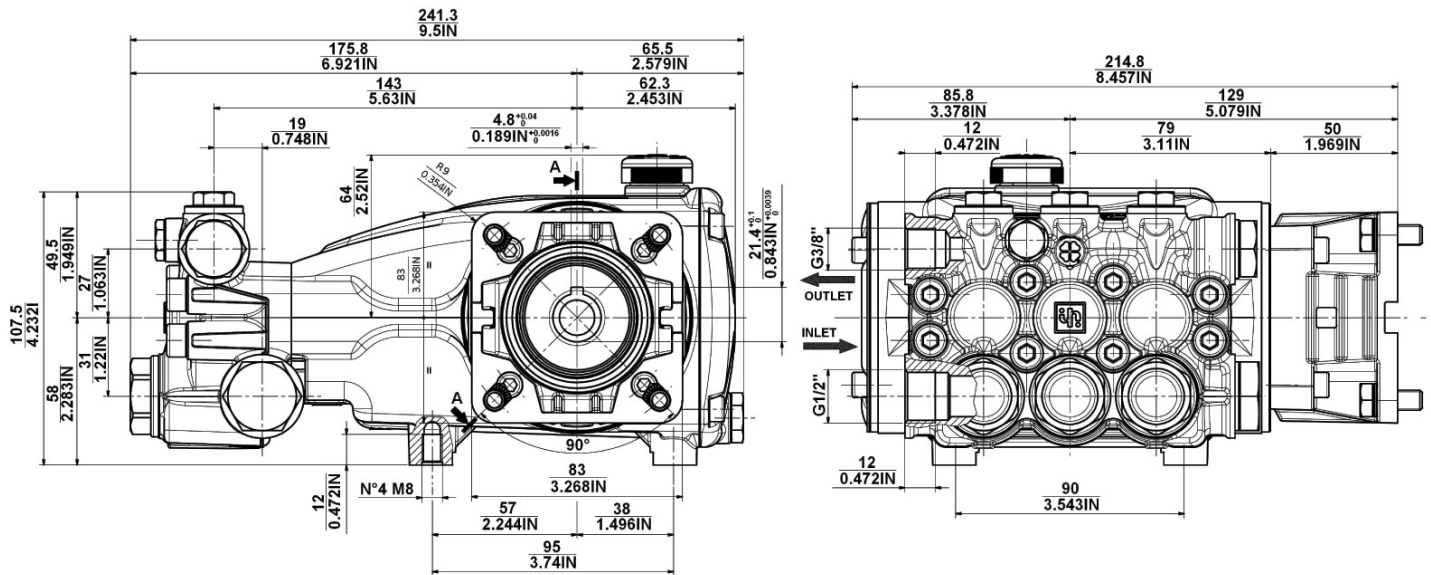
Position	Ft.-Lbs.	Nm.
9	96	130
10	4.5	6
20	44.3	60
21	14.8	20
30**	30	40
32	30	40
43	7.4	10
53	14.8	20
55**	9.6	13
56	14.8	20
92	7.4	10

¹ Note: Seal tools included

*Decrease torque by 20% if threads are lubricated.

**Use Loctite 542 Red

DIMENSIONS



WARNING: High Pressure Systems require a primary pressure regulating device (i.e. regulator, unloader) and a secondary pressure relief device (i.e. pop-off valve, relief valve). Failure to install such relief devices properly could result in personal injury or damage to pump or property. GP does not assume any liability or responsibility for the operation of the user's high pressure system.

 **WARNING:** This product can expose you to chemicals including lead, which is known to the state of California to cause cancer and birth defects or other reproductive harm. For more information, go to www.P65Warnings.ca.gov