

FEATURES

- Triplex plunger pump
- New Forged brass manifold , increases working pressure to 4,000 PSI
- New plunger guide bushing (patent pending)
- Solid ceramic plungers with dual guide system
- New dual diameter plunger guide
- New optimized outlet valves
- New dual lip oil seal



SPECIFICATIONS

Pump Model	EP1505S34	EP1506S34	EP1508S34	EP1510S34	EP1306S34	EP1308S34	EP1310S34	EP1311S34	EP1313S34
Max Volume	2.1 GPM	2.9 GPM	3.4 GPM	2.4 / 4.2 GPM	2.1 GPM	2.6 GPM	3.2 GPM	3.4 GPM	2.4 / 4.0 GPM
Max Discharge Pressure	3,045 PSI				4,000				
Horsepower	4.4 HP	6.0 HP	7.1 HP	8.7 HP	5.7 HP	7.1 HP	8.6 HP	9.3 HP	10.7 HP
Max Pump Speed	3400 RPM			1750 / 3400 RPM	3400 RPM				1750 / 3400 RPM
Max Inlet Pressure	125 PSI								
Max. Inlet Vacuum	Flooded								
Plunger Bore	.591 in/15 mm				.512 in./13 mm				
Plunger Stroke	.197 in./5 mm	.256 in./6.5 mm	.315 in./8 mm	.394 in./10 mm	.256 in./6.5 mm	.315 in./8 mm	.394 in./10 mm	.433 in./11 mm	.512 in./13 mm
Oil Capacity	15 oz.								
Max Fluid Tempe	165° F								
Inlet Port Thread	1/2"-14 BSP-F								
Discharge Port Thread	3/8"-19 BSP-F								
Shaft Diameter	.945 in./24 mm								
Weight	15.4 lbs.								
Dimensions - Nominal	9.5"x8.38"x5.1"								

TRIPLEX

TRIPLEX



General Pump
is a member of
the Interpump Group



Ref 300920 Rev. L
11-23



Instructions and Recommendations for the Installation of *EP Series Pumps*

Maximum temperature of the water through the pump is 165°F (73°C).

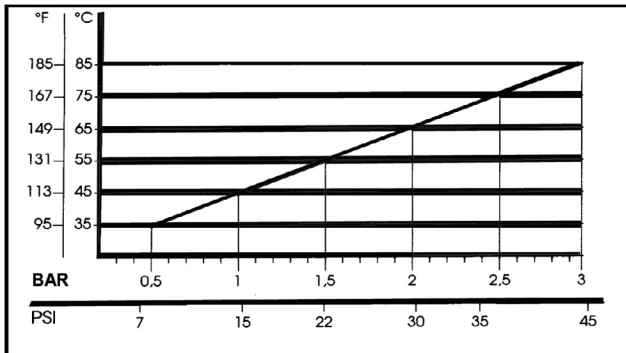
In order to obtain maximum performance in terms of duration of seals and valves, it is necessary to respect a few simple rules, as follows:

1) **In order to avoid damage caused by cavitation, the pump must be pressure fed.**

The higher the inlet pressure, the longer the life of the wet end of the pump.

When working at 165°F (73°C), the minimum feed pressure - measured directly in the inlet port of the pump when it is working - is 45 psi (3 bar).

The minimum feed pressure according to the different temperatures are:



Naturally, if the application allows for feeding the pump with 45 psi (3 bar) even at low temperatures (for example: 115°F/45°C the life of the wet end of the pump will be even longer).

2) **The plumbing which feeds the pump must be of a diameter at least equal to the inlet port.**

Also, follow the suggestions below:

a) Make the plumbing as short and straight as possible, preferably in an upward direction to facilitate the expulsion of eventual air bubbles naturally if compatible with the requirements of the system.

b) It is always useful to put a filter at the inlet with capacity of 4 to 5 times the flow of

the pump, for example for a 4 gpm (15 l/min) pump, put a filter from 16 to 20 gpm (60-75 l/min). The mesh size suitable for this application is 0.016" (.4 mm).

c) It is extremely important to put a pressure switch on the suction port of the pump, and in any case downstream from the filter, so that it can stop the pump should the feed pressure drop by 20% due to the filter clogging or failure of the feed pump, etc.

3) **Change of oil**

We recommend the **first oil change after the first 50 hours**, with the **pump stopped** and the **oil still warm**.

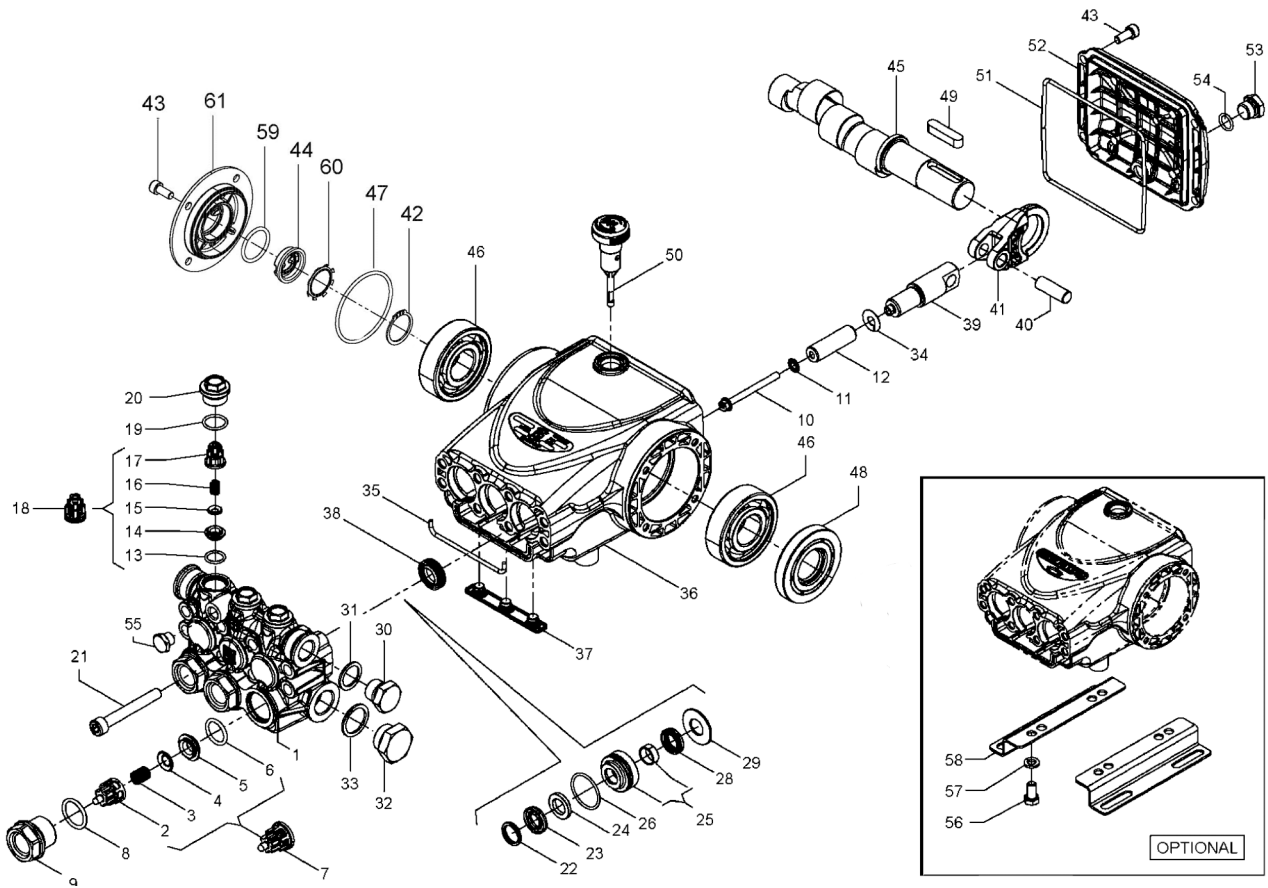
This change is not recommended because the oil has lost its properties, but rather to eliminate the impurities that have gotten into the oil during the running-in phase. If these impurities are not removed, but are allowed to remain in the oil, they *may cause premature wear* to the moving parts and the oil seals. **After this initial change, the oil can then be changed every three months or 300 hours of operation thereafter.**

Please note: If the pump works in conditions with high humidity and with sharp temperature changes, it is possible that condensation will appear inside the crankcase, which mixing with the oil can change its properties. This is easy to see because the oil changes to a white, milky color.

If the pump does not have excessive water leaking from the packings, and the oil becomes milky, the oil has to be changed more frequently. The percentage of water in the oil must not exceed 20%.

Use oil per the following chart:

CHART OF COMPATIBLE OILS	
General Pump	Series 100
BP	VISCO 2000
CASTROL	CWX
MOBIL	SUPER
SHELL	HELIX SUPER
TOTAL	QUARTZ 4000-5000



PARTS LIST

ITEM	PART NO.	DESCRIPTION	QTY	ITEM	PART NO.	DESCRIPTION	QTY	ITEM	PART NO.	DESCRIPTION	QTY
1.	58120041	Manifold, Ø 13	1	24.	90507650	Anti-ext. Ring, Ø 13	3	63020865	Crankshaft, 8mm		
	58120141	Manifold, Ø 15	1		90508990	Anti-ext. Ring, Ø 15	3		(EP1308S34, EP1508S34)		
2.	36202551	Valve Cage	3	25.	58605601	Intermed. Ring, Ø 13	3	63021265	Crankshaft, 10mm	1	
3.	94737600	Spring, Ø 9.4x14.8	3		58605701	Intermed. Ring, Ø 15	3		(EP1510S34, EP1310S34)		
4.	36200176	Poppet	3	26.	701023	O-ring, 26.7x1.78	3	63021865	Crankshaft,	1	
5.	36200366	Valve Seat	3	28.	90260100	Seal, Ø 13, LP	3		(EP1313S34)		
6.	701115	O-ring, Ø17.13x2.62	3		90260800	Seal, Ø 15, LP	3	63029165	Crankshaft	1	
7.	36711501	Valve Assembly	3		710030	Seal, Ø 15, LP	3		(EP1311S34)		
8.	701002	O-ring, Ø20.24x2.62	3	29.	58210670	Support Ring, Ø 13	3	46.	91833100	Bearing, Premium	2
9.	98222600	Valve Cap, M24x1.5x16.7	3		58210770	Support Ring, Ø 15	3	47.	90389800	O-ring Ø 56.82x2.62	1
10.	99169000	Plunger Bolt, M5x55	3	30.	98210000	Plug, 3/8"x13	1	48.	90164100	Oil Seal, Ø 25x62x10	1
11.	96690500	Washer, Ø 5x11.5x0.4	3	31.	96738000	Gasket, 17.5x23x1.5	1	49.	91489200	Key	1
12.	58040009	Plunger, Ø 13x42	3	32.	98217600	Plug, 1/2" BSPx10	1	50.	98210500	Oil Dipstick	1
	58040109	Plunger, Ø 15x42	3	33.	96751400	Gasket, Ø 21.5x27x1.5	1	51.	90392550	O-ring, Ø 113.97x2.62	1
13.	701014	O-ring, Ø 12.42x1.78	3	34.	96698000	Washer, Ø 7.5x15x0.5	3	52.	58160022	Rear Cover	1
14.	36211366	Outlet Valve Seat	3	35.	58210582	Gasket, Ø 3x94	1	53.	98204100	Plug, 1/4"x9	1
15.	36211276	Outlet Valve Poppet	3	36.	58010022	Crankcase	1	54.	701013	O-ring, Ø 10.82x1.78	1
16.	94733300	Spring, Ø 6.2x10.4	3	37.	58210451	Drip Cover	1	55.	98196600	Plug, 1/8"x8	1
17.	36211151	Outlet Valve Cage Guide	3	38.	90156550	Oil Seal, Ø 15x24x5.7	3	56.	99303700	Screw, Hex Head	4
18.	36719301	Complete Outlet Valve	3	39.	58050066	Piston Guide	3	57.	96701600	Washer, Ø 8.4	4
19.	701016	O-ring, Ø 15.6x1.78	3	40.	97734000	Piston Pin, Ø 10x29.5	3	58.	50200074	Pump Foot	2
20.	98213700	Outlet Valve Cap, M18x1.5x10	3	41.	58030022	Connecting Rod	3	59.	90385900	O-ring Ø 25.07x2.62	1
21.	99317500	Screw, M8x60	8	43.	99183700	Screw, M6x14	8	60.	90067100	Stop Ring	1
22.	44100251	Head Ring, Ø 13	3	44.	53210851	Oil Level Indicator	1	61.	58150122	Side Cover	1
	63101051	Head Ring, Ø 15	3	45.	63020265	Crankshaft, 5mm	1				
23.	90260200	Packing, Ø 13, HP	3			(EP1505S34)					
	90261100	Packing, Ø 15, HP	3	63020565	Crankshaft, 6.5 mm	1					
	710031	Packing, Ø 15, HP (K276H, K312H)	3			(EP1306S34, EP1506S34)					

* 53150001 Oil Level Indicator Assembled W/O Screws and O-ring

REPAIR KITS

KIT NO.	K269	K270	K271	Ø 13		Ø 15			
				K272	K275	K273	K276	K276H' (Hot Kit)	K312H' (Hot Kit)
ITEM NO'S INCLUDED IN KIT	2, 3, 4, 5, 6, 13, 14, 15, 16, 17, (7), (18)	8, 9, 19, 20	38	22, 23, 24, 26, 28	22, 23, 24, 25, 26, 28, 29	22, 23, 24, 26, 28	22, 23, 24, 25, 26, 28, 29	22, 23, 24, 25, 26, 28, 29	23, 28
NUMBER OF ASSY'S IN KIT	6	6	3	3	1	3	1	3	3
NO. OF CYLINDERS KIT SERVICES	3	3	3	3	1	3	1	3	3

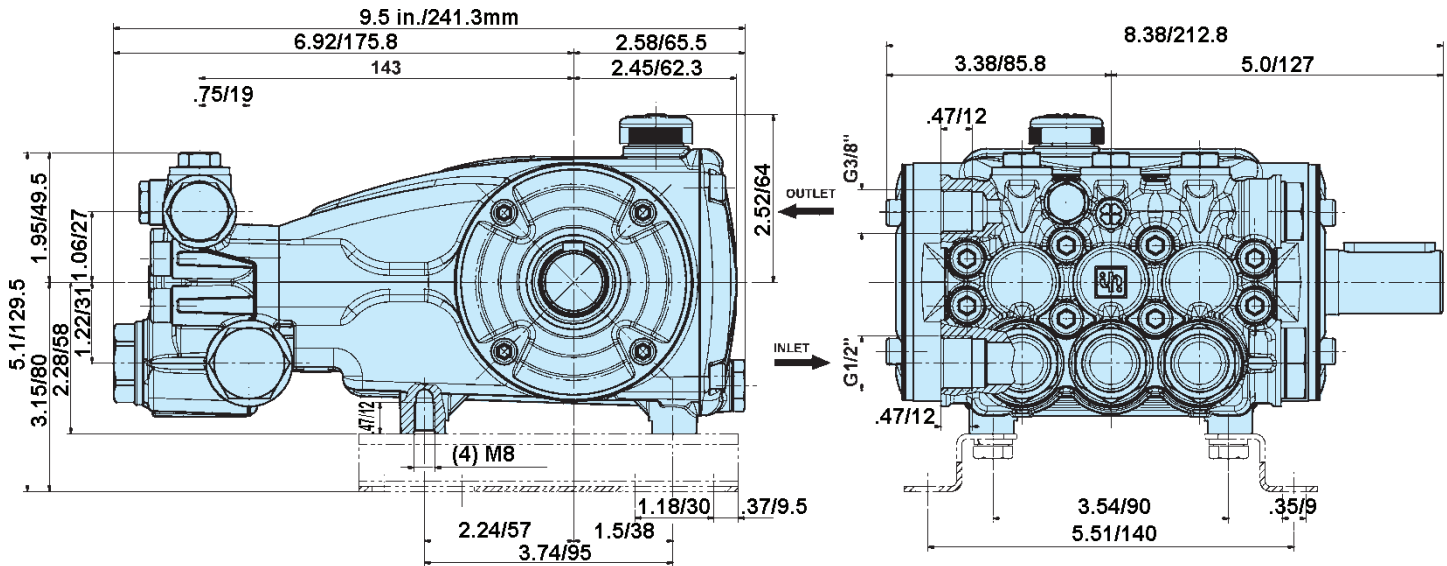
¹ Note: Seal tools included

TORQUE SPECS*

Position	Ft.-Lbs.	Nm.
9	96	130
10	4.5	6
20	44.3	60
21	14.8	20
30**	30	40
32	30	40
43	7.4	10
53	14.8	20
55**	9.6	13
56	14.8	20

*Decrease torque by 20% if threads are lubricated.
**Use Loctite 542 Red

DIMENSIONS



WARNING: High Pressure Systems require a primary pressure regulating device (i.e. regulator, unloader) and a secondary pressure relief device (i.e. pop-off valve, relief valve). Failure to install such relief devices properly could result in personal injury or damage to pump or property. GP does not assume any liability or responsibility for the operation of the user's high pressure system.

WARNING: This product can expose you to chemicals including lead, which is known to the state of California to cause cancer and birth defects or other reproductive harm. For more information, go to www.P65Warnings.ca.gov

