

GENERAL PUMP *A member of the Interpump Group*

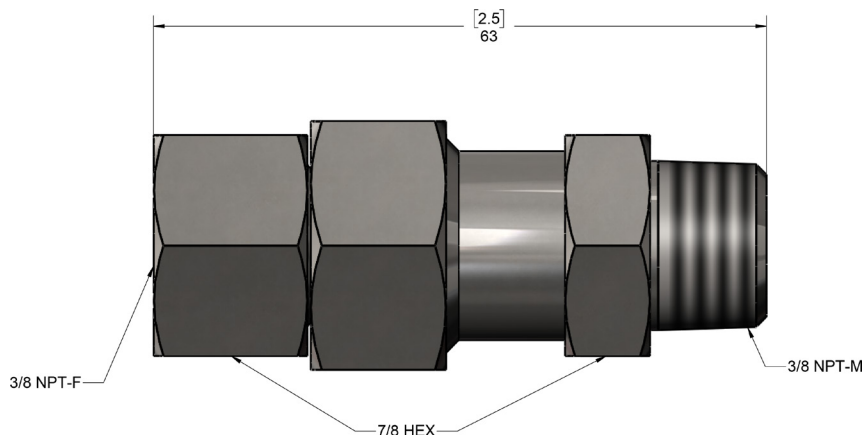
Swivel for Spray Gun

Stainless Steel**SPECIFICATIONS**

Part Number:	DSWG38SS
Flow Rate:	15.0 GPM
Max Pressure:	5000 PSI
Max Temp.	250° F
Port Size:	3/8"-18 NPT-MxF
Dimensions:	1" x 2.5"
Weight:	.31 lbs.
Materials:	Stainless Steel, Viton, Teflon

FEATURES

- Internal bearing for long life
- Stainless Steel construction
- Easy-turn feature for high pressure rotation
- Chemical resistant Viton (FKM) Seals

PARTS LIST**WARNINGS**

WARNING: High Pressure Systems require a primary pressure regulating device (i.e. regulator, unloader) and a secondary pressure relief device (i.e. pop-off valve, relief valve). Failure to install such relief devices properly could result in personal injury or damage to pump or property.
GP does not assume any liability or responsibility for the operation of the user's high pressure system.

During use, never exceed the maximum values of pressure, flow rate and temperature as stated in this document.

Maintenance and repair must be carried out by qualified and authorized staff only. Note: This product is not serviceable.

From time to time, it is necessary to check that the parts which are under pressure do not show cracks and/or leakages; the frequency of this check depends on the actual use.



General Pump
is a member of
the Interpump Group



GENERAL PUMP 1174 Northland Drive • Mendota Heights, MN 55120
 Phone: 651.686.2199 • Fax: 800.535.1745 • e-mail: sales@gpcompanies.com • www.generalpump.com

Ref 301056 Rev. B
06-21

