

DLTG12E



- All Aluminum poles
- High strength glass filled Nylon gun housing
- All brass gun valve
- Non-sticking dissimilar collet material

High-Pressure Extendable Wand



General Pump
is a member of
the Interpump Group

Ref 310100 Rev. B
08-18



Thank you for purchasing an extension wand from **General Pump**.

With proper care your new extension wand will give you years of reliable service.

Your safety is important to us.

Please read and make sure you understand all of the safety warnings

and precautions prior to using your extension wand.

If you have any questions regarding the safe operation of your extension wand

please contact our Technical Support Team at 1-888-474-5487



GENERAL PUMP

SPECIFICATIONS*

Wand Model	DLTG12E
Maximum Volume	6.6 GPM
Maximum Gun Pressure	2,600 PSI
Maximum Fluid Temperature	120°F
Shipping Weight	5.6 lb
Dimensions - Retracted	48.8" L x 6" W



THE USER OF THIS ACCESSORY IS RESPONSIBLE FOR READING, UNDERSTANDING, AND FOLLOWING ALL WARNINGS AND PRECAUTIONS PRIOR TO OPERATION.

FAILURE TO FOLLOW ALL WARNINGS AND PRECAUTIONS MAY RESULT IN PROPERTY DAMAGE, SERIOUS PERSONAL INJURY, OR DEATH.

- **NEVER** use near power lines.
- **NEVER** extend or retract wand while spraying or while under pressure. Stop the equipment and relieve pressure before making any adjustments to the wand.
- **NEVER** change nozzles or accessories while under pressure. Stop the equipment and relieve pressure before making any changes.
- **NEVER** use while on ladders or scaffolding.
- **NEVER** use with unapproved accessories.
- **NEVER** exceed rated pressure or volume.
- **NEVER** use high-pressure to clean persons or animals.
- **NEVER** remove or alter warning labels or identification tags.
- **NEVER** use wand if damaged.

- **NEVER** use wand if damaged.
- **ALWAYS** read, understand, and follow operation instructions.
- **ALWAYS** make certain area is clear of obstructions or hazards.
- **ALWAYS** maintain proper balance and control of extension wand.

This label appears on the extension wand. **Do not remove or deface.**

If the label becomes damaged or unreadable please call for a no charge replacement.



OPERATION INSTRUCTIONS

Read, understand, and follow **ALL** safety guidelines and operation instructions prior to use.

To use your extension wand:

Connect the outlet of your pressure washer to the inlet port of the trigger gun of the Giraffe extension wand using appropriate quick couplers or fittings rated to handle high pressure.

Do **NOT** bypass, disable, or remove the trigger gun.

DO NOT use pliers, pipe wrenches, etc. to tighten as it will cause the collet to seize to the threaded plastic housing. **HAND TIGHTEN ONLY!**

The extension wand may be used fully retracted or fully extended or any point in between. Caution must be used when the wand is extended as the reaction force of the nozzle spraying will cause the wand to flex. Make absolutely certain that there are no power lines or sources of electrical power within 10 feet of the lance at any time.

Contact with power transmission lines can cause fatal electrocution!

OPERATION INSTRUCTIONS

Caution: Do not extend or retract your extension wand while spraying or while under pressure. Stop the equipment and relieve any pressure before making adjustments to the extension wand or changing nozzles.

To extend the wand:

Loosen the brown lock rings and pull the wand out to the desired length. Re-tighten the lock rings to hold the wand at the desired length.

To retract the wand:

Loosen the brown lock rings and slide the extension segment into the wand until the desired length is reached and re-tighten the lock rings to hold the extension segments in place.

To begin spraying:

Start the pressure washer.

Raise the wand and keep the nozzle at least ten feet away from the surface to be cleaned. **Keep the extension wand clear of power lines.**

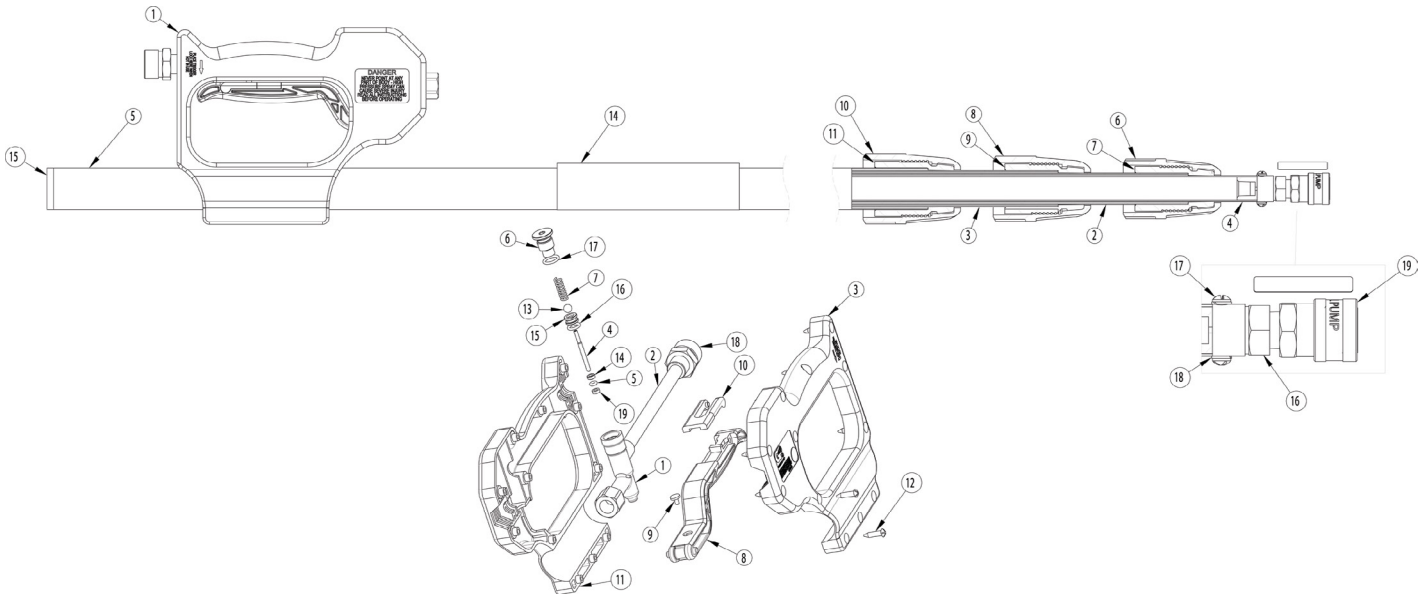
Squeeze the trigger to begin spraying, maintain stable footing, and move the wand in to the surface to be cleaned.

Caution: Except in cases of emergency, do not release the trigger near any surfaces.

To stop spraying:

Before releasing the trigger gun move the nozzle at least ten feet away from the surface being cleaned and make sure you have solid footing. **The wand will rebound when the trigger is released or if pressure is lost. USE EXTREME CAUTION** when working on or near fragile surfaces as there may be enough force to damage surfaces or break windows. **Keep clear of power lines.** When you are clear of the work surface and in a safe area - release the trigger.

EXPLODED VIEW & PARTS LIST



DLTG12E

ITEM	PART #	DESCRIPTION	QTY
1	DG2600TS12	GUN, TW, LOW PRESSURE	1
2	2550220	TUBE, TW, 24 OD	1
3	2550222	TUBE, TW, 28 OD	1
4	2550221	TUBE, TW, 20 OD	1
5	2550223	TUBE, TW, 32 OD	1
6	2660365	COLLET, NUT, 20MM	1
7	2660366	COLLET, SCREW, 20MM	1
8	2660367	COLLET, NUT, 24MM	1
9	2660368	COLLET, SCREW, 24MM	1
10	2660369	COLLET, NUT, 28MM	1
11	2660370	COLLET, SCREW, 28MM	1
12	2103342	ASSY, HOSE, LOW PRESSURE	1
13	2400000	LABEL	3
14	GPC0058	LABEL, WARNING	1
15	2660371	GROMMET, TW, 32MM	1
16	2530152	FITTING, UNION	1
17	2200004	SCREW, M4	2
18	2203506	WASHER, LOCK	2
19	D10002	COUPLER, 1/4 QC	1

DG2600TS12

ITEM	PART #	DESCRIPTION	QTY
1	2452028	BODY, VALVE	1
2	2550219	TUBE, INLET	1
3	2660362	HOUSING, GUN, LEFT	1
4	2520159	PIN, VALVE, GUN	1
5	2701080	O-RING	1
6	2510259	PLUG, VALVE, GUN	1
7	2720036	SPRING, VALVE, GUN	1
8	2660364	TRIGGER	1
9	2520010	STRIKER	1
10	2660026	TRIGGER, LOCK	1
11	2660363	HOUSING, GUN, RIGHT	1
12	2200002	SCREW	12
13	2520161	BALL	1
14	2510260	WASHER, BRASS	1
15	2520160	SEAT, GUN	1
16	2701082	O-RING	1
17	2701081	O-RING	1
18	2510007	FITTING, INLET, GUN	1
19	2710030	WASHER, TEFLON	1

*Label and hose not shown