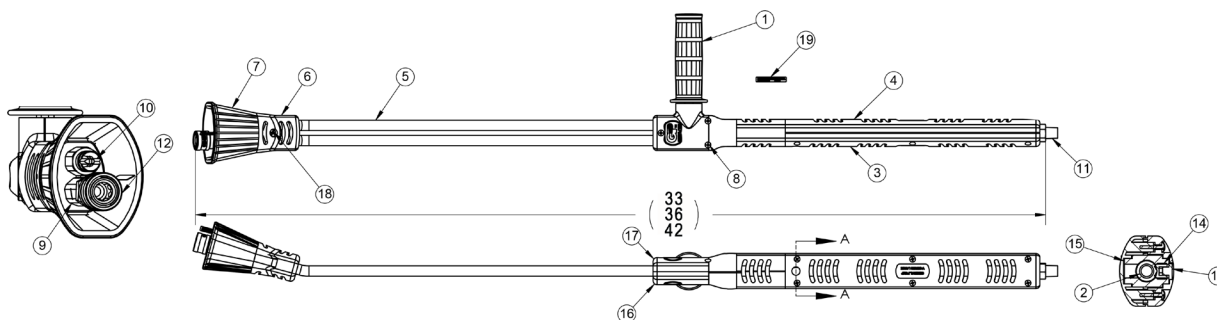


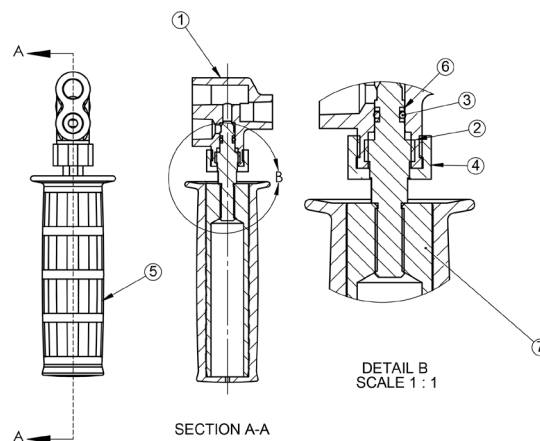
SPECIFICATIONS

Part Number	DLD33VS	DLD36VS	DLD42VS
Maximum Volume		10.5 GPM	
Maximum Discharge Pressure		4000 PSI	
Maximum Temperature		320° F	
Port Sizes	Inlet	1/4" NPT-M	
	Outlet	1/4" QC-F & 1/4" Soap Nozzle	
Dimensions	33" x 6.4" x 1.3" OD	36" x 6.4" x 1.3" OD	42" x 6.4" x 1.3" OD
Weight.	5.4 lbs		
Materials	Zinc Plated Steel, Brass, Rubber, Nylon		



Parts List

No.	Part No.	Description	Qty.
1	2103067	Valve, Lance, Dual	1
2	2550104	Tube, Inlet	1
3	2660137	Cover, Lance	1
4	2660138	Cover, Lance	1
5	2550076	Tube, Outlet, DLD33VS	2
	2550267	Tube, Outlet, DLD36VS	2
	2550074	Tube, Outlet, DLD42VS	2
6	2660129	Cover, Lance	1
7	2660139	Cover, Nozzle	1
8	2200065	Screw	9
9	2510140	Fitting, 1/4" x 1/4"	1
10	2510142	Nozzle, Soap	1
11	2530046	Fitting	1
12	D10002	Coupler, 1/4" QC	1
13	2660021	Plug, Hex	1
14	2200064	Screw, Set	1
15	2510102	Fastener, Lance Cover	1
16	2660176	Cover, Lance	1
17	2660177	Cover, Lance	1
18	2660067	Screw	1
19	2400166	Label, Prop 65	1



2103067 Parts List			
No.	Part No.	Description	Qty.
1	2452016	Body, Valve	1
2	2520100	Stem	1
3*	2701032	O-ring	1
4	2510188	Nut	1
5	2702048	Handle	1
6*	2710022	Back-up Ring	2
7	2500005	Insert, Handle	1
*	2100507	Repair Kit	



General Pump is a member of the Interpump Group

