

DL LANCES

Vented Lances - Chrome Plated



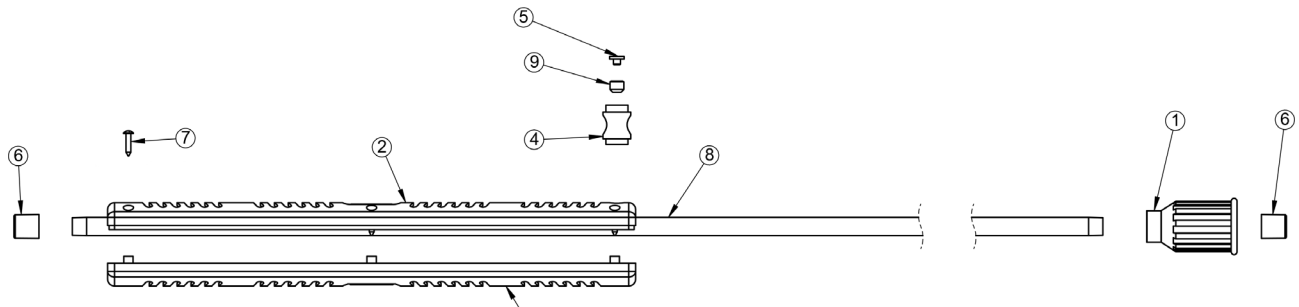
SPECIFICATIONS

Maximum Volume	10.0 GPM	
Maximum Discharge Pressure	5,000 PSI	
Maximum Temperature	320° F	
Port Sizes	Inlet	1/4" NPT-M
	Outlet	1/4" NPT-M
Materials	Chrome Plated Steel, Plastic, Rubber	

VENTED CHROME PLATED LANCE - PARTS LIST

PART NUMBERS
DL36VCS (36 inch)
DL48VCS (48 inch)
DL60VCS (60 inch)

No.	Part No.	Description	Qty
1	2660006	Nozzle Protector	1
2	2660019	Lance Cover, Vented, Left	1
3	2660010	Lance Cover, Vented, Right	1
4	2510102	Fastener, Lance Cover	1
5	2660021	Cap	1
6	2702016	Cap, 1/4" NPT-M	2
7	2200065	Screw	6
8	2530002	Lance (DL36VCS)	1
8	2550059	Lance (DL48VCS)	1
8	DL60CS	Lance (DL60VCS)	1
9	2200064	Screw, Set	1





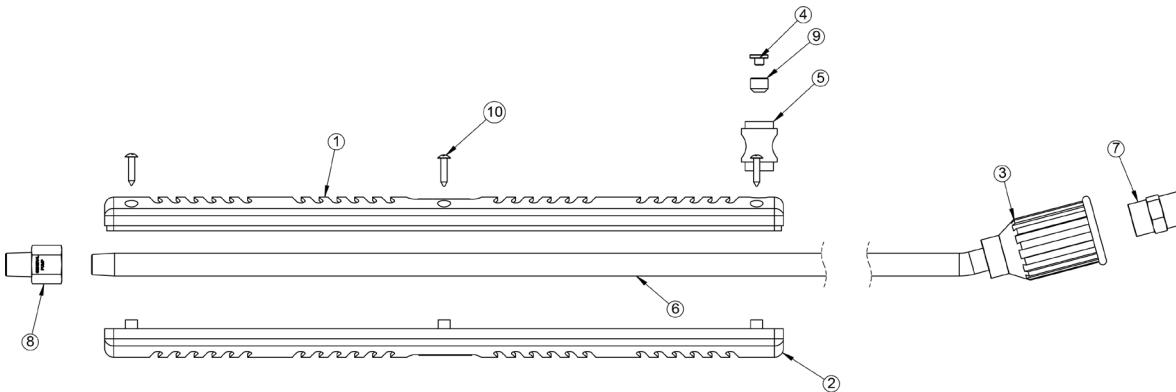
SPECIFICATIONS

Maximum Volume	10.0 GPM
Maximum Discharge Pressure	5,000 PSI
Maximum Temperature	320° F
Port Sizes	Inlet 1/4" NPT-M Outlet 1/4" NPT-F
Materials	Stainless Steel, Plastic, Rubber

VENTED STAINLESS STEEL LANCE - BENT - PARTS LIST

PART NUMBERS
DL36VSSB (36 inch)

No.	Part No.	Description	Qty
1	2660019	Cover, Lance	1
2	2660010	Cover, Lance	1
3	2660006	Nozzle Cover	1
4	2660021	Plug, Hex	1
5	2510102	Fastener, Lance Cover	1
6	2550055	Lance	1
7	2520060	Fitting 1/4"	1
8	2520061	Fitting 1/4"	1
9	2200064	Screw, Set	1
10	2200065	Screw	6



VENTED STAINLESS STEEL LANCE - STRAIGHT - PARTS LIST

PART NUMBERS
DL36VSS (36 inch)

No.	Part No.	Description	Qty
1	2660019	Cover, Lance	1
2	2660010	Cover, Lance	1
3	2660006	Nozzle Cover	1
4	2660021	Plug, Hex	1
5	2510102	Fastener, Lance Cover	1
6	DL36SS	Lance	1
7	2520060	Fitting 1/4"	1
8	2520061	Fitting 1/4"	1
9	2200064	Screw, Set	1
10	2200065	Screw	6

