

DHRTM50100/DHRTM50200 Trailer Mounted Hose Reel



DHRTM50100



DHRTM50200

SPECIFICATIONS

PART NUMBER	DHRTM50100	DHRTM50200
3/8" Hose Capacity	100 ft.	200 ft.
Pressure Rating	5,000 PSI	5,000 PSI
Inlet	1/2" NPT-F	1/2" NPT-F
Outlet	1/2" NPT-F	1/2" NPT-F
Max. Temp	250° F	250° F

FEATURES / BENEFITS

- Direct hand-crank rewind with locking pin
- Solid steel construction
- Durable powdercoated finish
- 360° swivel rotation
- Robust folding handle
- 180° pivoting hose guide
- Adjustable friction lever brake
- Full flow high pressure stainless steel swivels
- Coupler connection to secure hose when not in use



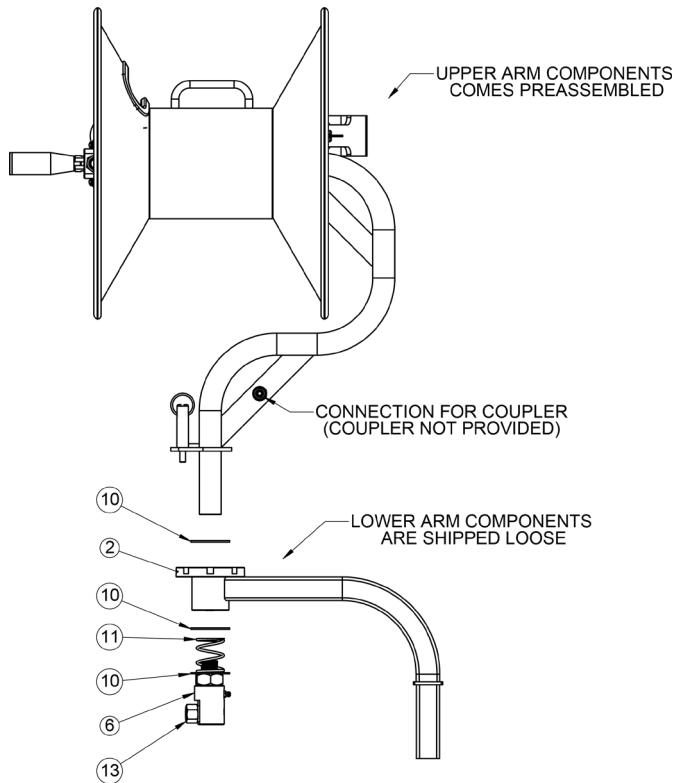
General Pump
is a member of
the Interpump Group



Ref 301026 Rev. G
09-22

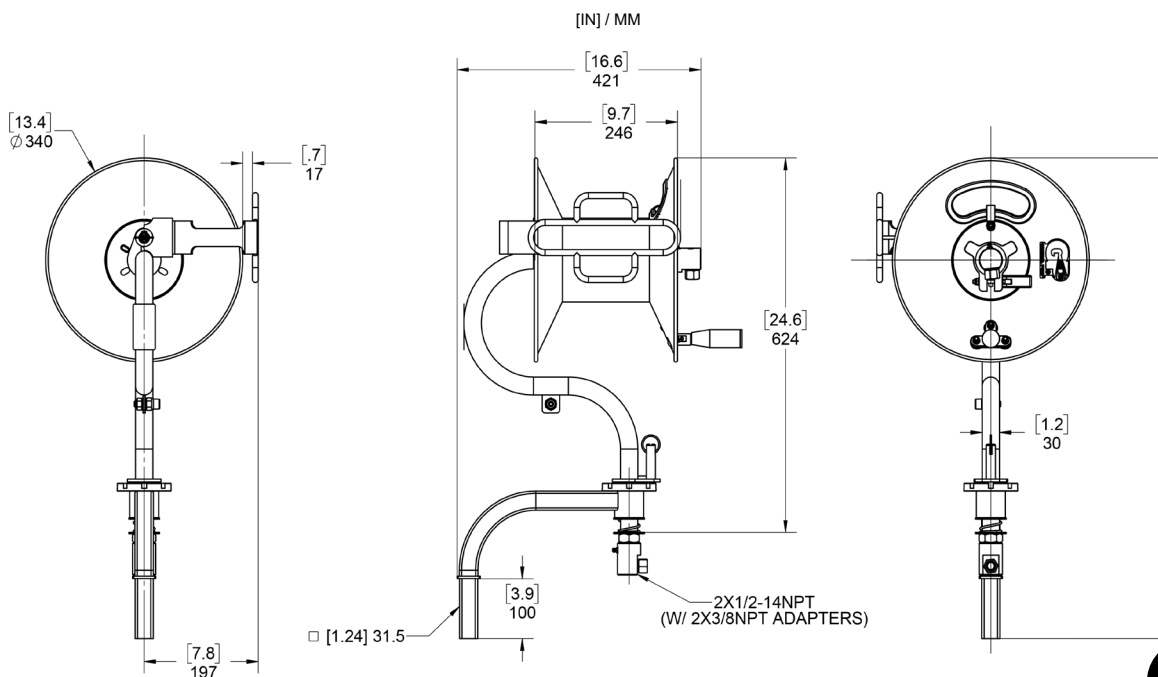


ASSEMBLY INSTRUCTIONS

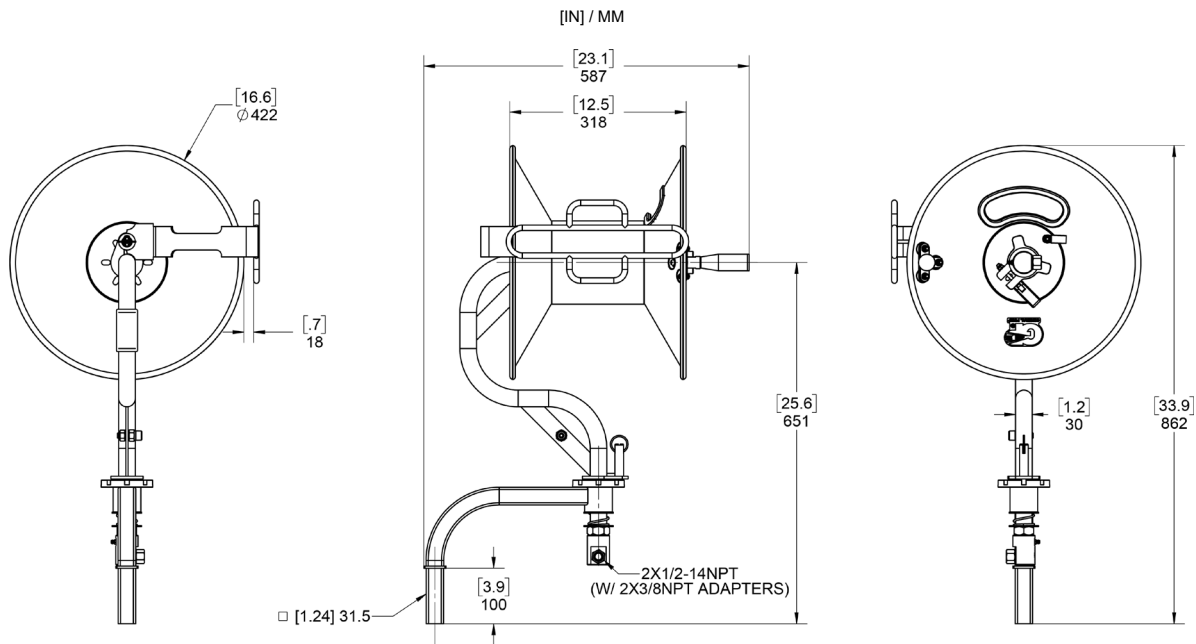


1. Slide washer (Item 10) over the shaft of the upper arm assembly.
2. Insert the shaft onto the lower arm.
3. Assemble the remaining components with the layout shown. Use a thread sealant (not provided) designed for locking and sealing of metal pipes (e.g. LOCTITE 263, 542, 545 & 577) on the inlet threads of the swivel.
4. Attach inlet hose to the swivel on the lower arm assembly.
5. Attach the outlet hose to the swivel on the upper arm assembly then secure to hose clamp (Item 15).
6. Route the opposite end of the hose through the openings in the flange and hose guide.
7. The hose reel is ready for operation.

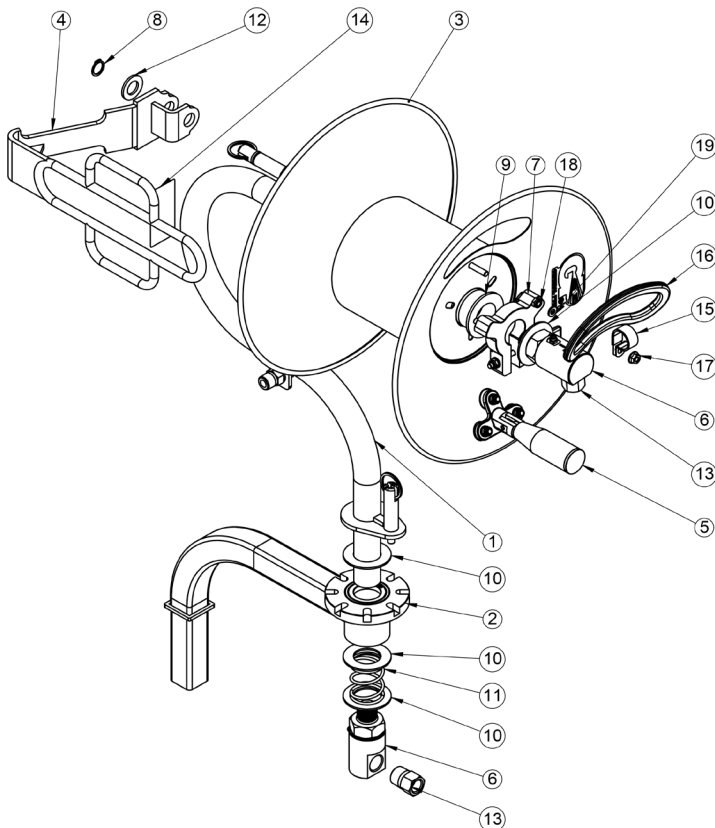
DIMENSIONS (DHRTM50100)



DIMENSIONS (DHRTM50200)

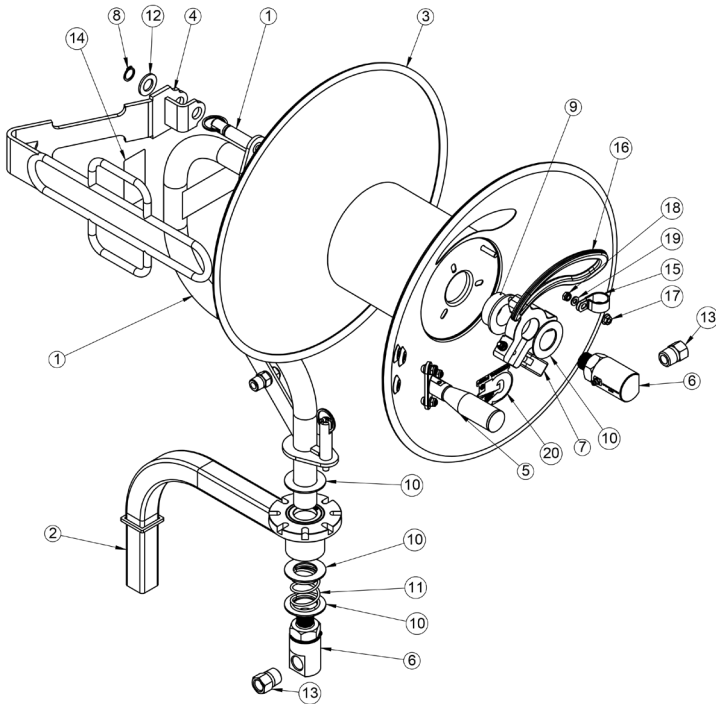


PARTS LIST (DHRTM50100)



No.	Part No.	Description	Qty.
1	2103157	Arm Assy., Upper	1
2	2103159	Arm Assy., Lower	1
3	2103339	Flange Assy.	1
4	2560014	Hose Guide	1
5	2103158	Handle Kit, 26 Degree	1
6	DSW9022MSS	Swivel, M22-M x 1/2" NPT-F, Ball Bearing	2
7	2103408	Brake, 30 mm	1
8	2200151	SS Snap Ring	1
9	2660380	Bushing	2
10	2203423	Washer	5
11	2720037	Spring	1
12	2203400	Washer, M16	1
13	2530112	Fitting, 1/2NPT-M x 3/8NPT-F	2
14	2400178	Caution Label	1
15	2540078	Clamp, Hose	1
16	2702094	Guard, Hose	1
17	2200154	Flange Nut, M6, SS	1
18	2200026	Nut, Nylok, M6	1
19	2200018	Washer, M6	1
Opt.	2701103	O-Ring, for M22 thread	
	2103164	Pin Lock Repair Kit, SS	

PARTS LIST (DHRTM50200)



No.	Part No.	Description	Qty.
1	2103404	Arm Assy., Upper	1
2	2103405	Arm Assy., Lower	1
3	2103370	Flange Assy.	1
4	2560007	Hose Guide	1
5	2103407	Handle Kit	1
6	DSW9022MSS	Swivel, M22-M x 1/2" NPT-F, Ball Bearing	2
7	2103408	Brake, 30 mm	1
8	2200151	SS Snap Ring	1
9	2660380	Bushing	2
10	2203423	Washer	5
11	2720037	Spring	1
12	2203400	Washer, M16	1
13	2530112	Fitting, 1/2NPT-M x 3/8NPT-F	1
14	2400178	Caution Label	1
15	2540078	Clamp, Hose	1
16	2660338	Guide, Hose	1
17	2200154	Flange Nut, M6, SS	1
18	2200026	Nut, Nylok, M6	1
19	2200018	Washer, M6	1
20	2400004	Decal, GP	1
Opt.	2701103	O-Ring, for M22 thread	
	2103164	Pin Lock Repair Kit, SS	

SAFETY PRECAUTIONS

1. Make sure incoming pressure does not exceed the rated pressure.
2. Use proper eye protection when assembling and using the hose reel.
3. Assemble the hose reel on a clean workbench free of debris and moisture.
4. Keep children away from work area.
5. When using this hose reel with hot water outside surfaces will be **HOT** and can cause severe burns. Handle with care.
6. High pressure systems should only be serviced by qualified personnel.

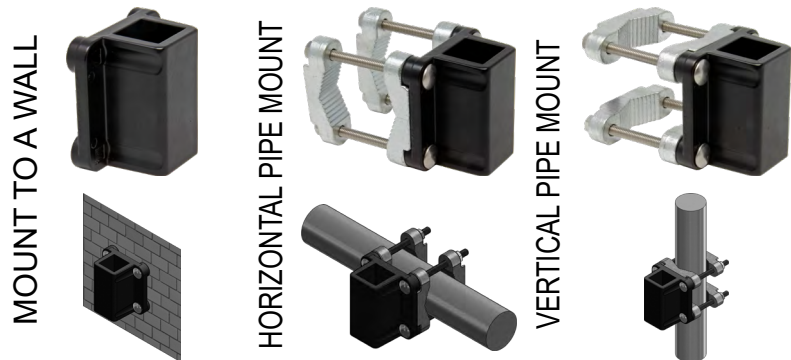
WARNING!

Exposure of skin directly to pressurized air or fluids could result in severe bodily injury!

OPTIONAL ACCESSORIES (sold separately)

DHRUM UNIVERSAL MOUNTING KIT

The DHRUM mounting kit can be used to mount your DHRTM50200 trailer mount hose reel to a wall or a wide range of portable pressure washer frames. The clamp system securely attaches to any round pipe or square tube frame up to 2" in size/diameter. The clamps grip to the frame to prevent slippage. The bracket consists of one powder-coat & rust-proof aluminum receiving socket, four galvanized steel clamps, and four stainless steel nuts and bolts.



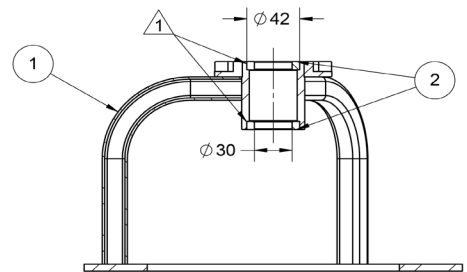
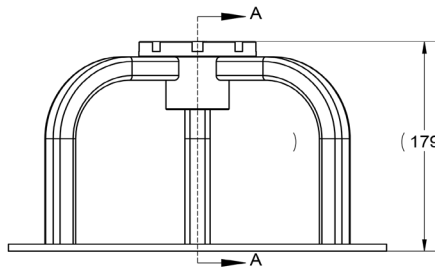
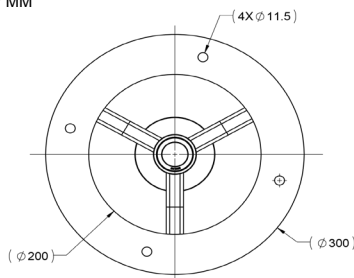
DHRFM FLAT MOUNTING KIT

The DHRFM flat mounting kit can be used to mount your DHRTM50200 trailer mount hose reel to horizontal surfaces. Bearings allow for 360° rotation of hose reel with lock for desired angle. Durable powder-coated finish protects from the elements.



Dimensions

[IN] / MM



Bolt Pattern

