

# DGE5010SL

## Rear Inlet Spray Gun



### SPECIFICATIONS

Part Number:	DGE5010SL	
Maximum Volume:	10.5 GPM	
Maximum Pressure:	5000 PSI	
Maximum Temperature:	320° F	
Port Sizes:	Inlet	3/8" NPT-F
	Outlet	1/4" NPT-F
Dimensions:	9.1" x 5.6" x 1.2"	
Weight:	1.4 lbs.	
Material:	Brass, Stainless Steel, Plastic, Viton	
<b>REPAIR KIT</b>	<b>2100428</b>	

### FEATURES

- Economic design with brass inlet and outlet
- All flow passages designed for minimum pressure drop - maximum flow
- Large comfortable hand grip to accommodate work gloves
- Additional venting for excellent high temperature performance
- Durable glass-filled housing
- Trigger made from 30% glass filled Nylon 6.6
- Spring loaded trigger stop to prevent accidental actuation



General Pump is a member of the Interpump Group



Ref 310033 Rev B  
01-19

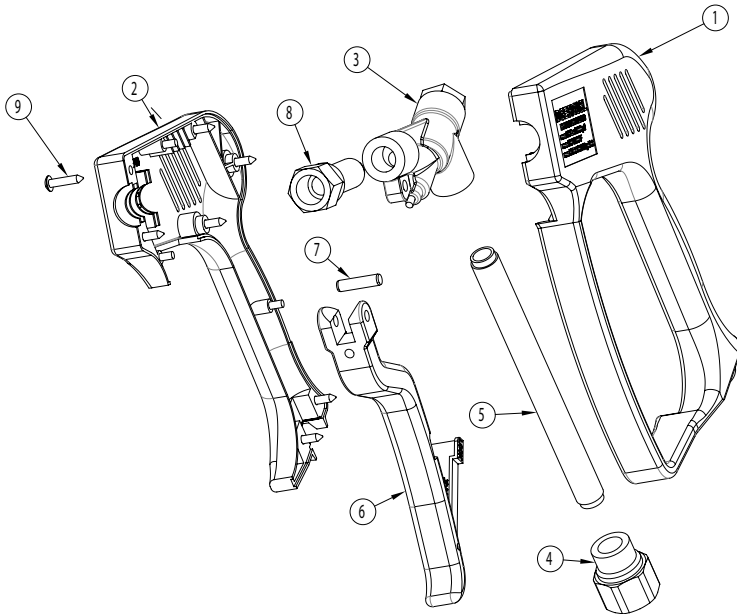


# DGE5010SL

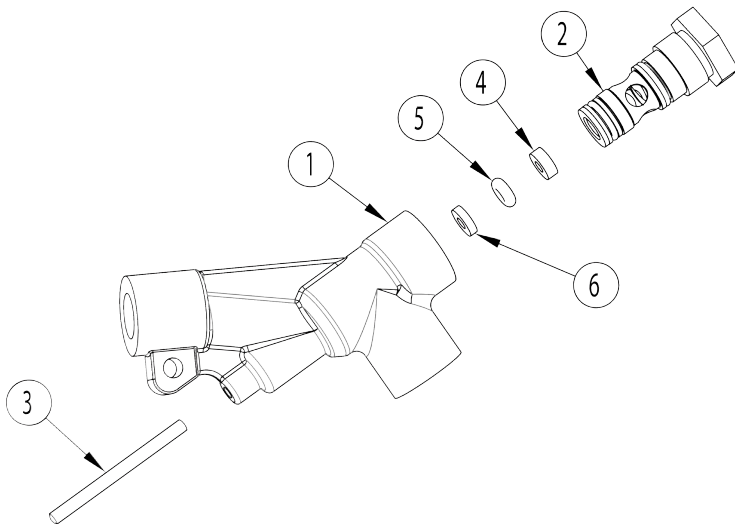
## Rear Inlet Spray Gun

**GENERAL PUMP** *A member of the Interpump Group*

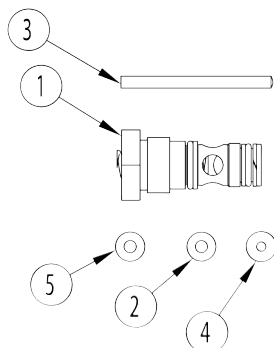
### PARTS LIST



DGE5010			
Item	Part No.	Description	Qty
1	2660304	HOUSING, GUN, LEFT	1
2	2660300	HOUSING, GUN, RIGHT	1
3	2103264	INSERT, GUN	1
4	2530116	FITTING, INLET, GUN	1
5	2530117	TUBE, INLET, GUN	1
6	2103274	ASSY, SUB, TRIGGER, GUN	1
7	2520132	PIN, TRIGGER	1
8	2530115	FITTING, OUTLET, GUN	1
9	2200065	SCREW	7
	2100428	REPAIR KIT	



2103264			
Item	Part No.	Description	Qty
1	2452022	FORGING, INSERT, GUN	1
2	2103265	CARTRIDGE, INSERT, GUN	1
3	2520133	PIN, TRIGGER	1
4	2510004	WASHER, BRASS	1
5	2701048	O-RING	1
6	2710018	WASHER, TEFLON	1



2100428 REPAIR KIT			
Item	Part No.	Description	Qty
1	2103265	CARTRIDGE, INSERT, GUN	1
2	2510004	WASHER, BRASS	1
3	2520133	PIN, TRIGGER	1
4	2701048	O-RING	1
5	2710018	WASHER, TEFLON	1

