

GENERAL PUMP *A member of the Interpump Group***DG5000S**
Rear Inlet Spray Gun, Straight**SPECIFICATIONS**

Part Number:	DG5000S	
Maximum Volume:	10.5 GPM	
Maximum Pressure:	5000 PSI	
Maximum Temperature:	300° F	
Port Sizes:	Inlet	3/8" NPT-F
	Outlet	1/4" NPT-F
Dimensions:	9.5" x 4.25" x 1.25"	
Weight:	1.4 lbs.	
Material:	Brass, Stainless Steel, Plastic	
REPAIR KIT	2100001	

FEATURES

- Economic design with brass inlet and outlet
- All flow passages designed for minimum pressure drop - maximum flow
- Large comfortable hand grip to accommodate work gloves
- Additional venting for excellent high temperature performance
- Durable glass-filled housing
- Trigger made from 30% glass filled Nylon 6.6



General Pump
is a member of
the Interpump Group



Ref 310040 Rev C
11-20

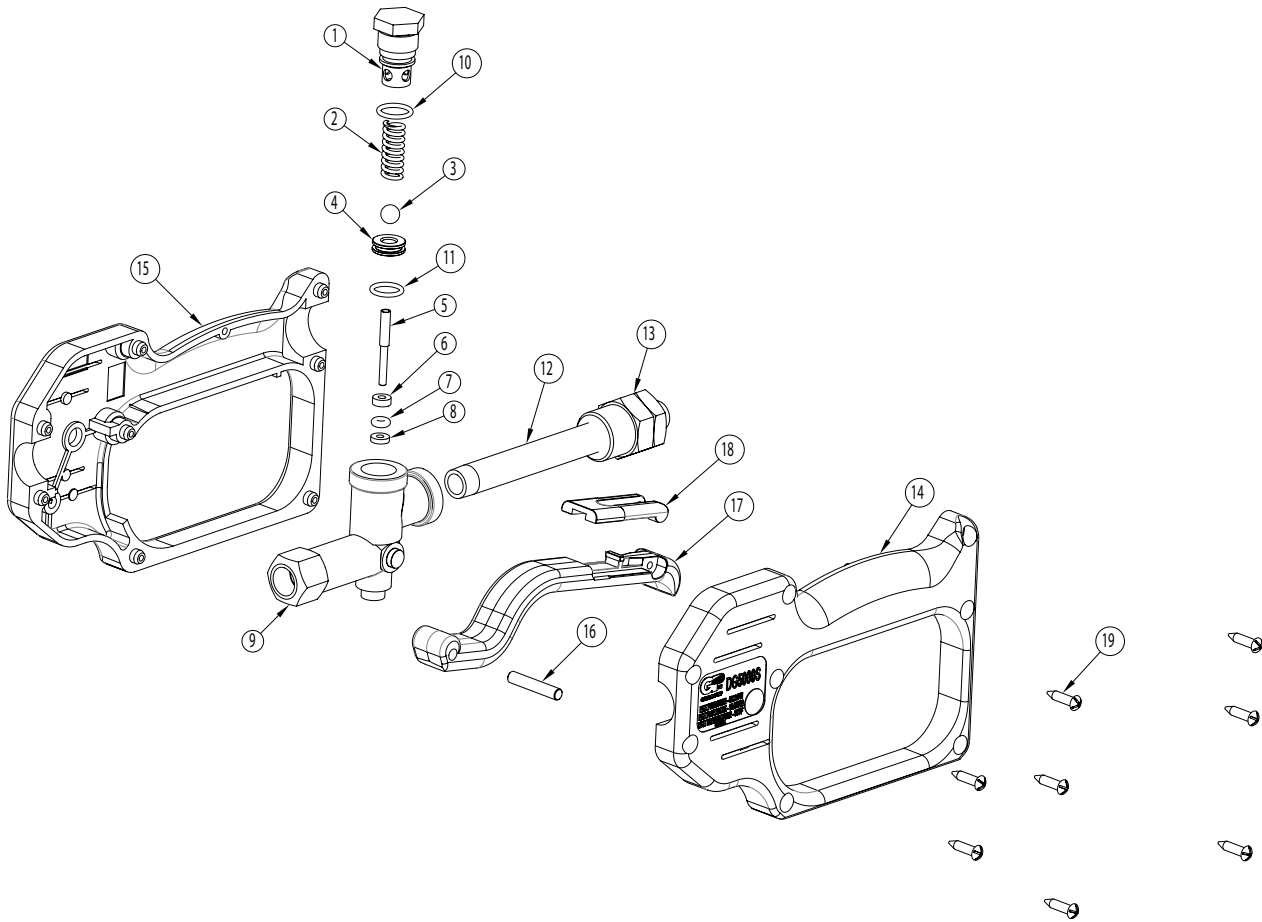


DG5000S

Rear Inlet Spray Gun, Straight

GENERAL PUMP *A member of the Interpump Group*

PARTS LIST



No.	Part No.	Description	Qty.
1	2510005	Plug, Gun	1
2*	2720001	Spring	1
3*	2520004	Ball	1
4*	2520003	Seat, Gun	1
5*	2520002	Pin, Gun	1
6*	2510004	Washer, Brass	1
7*	2701048	O-ring	1
8*	2660007	Washer, Teflon	1
9	2452001	Forging, Gun	1
10*	2701050	O-ring	1
11*	2701049	O-ring	1

No.	Part No.	Description	Qty.
12	2520001	Tube, Inlet, Gun	1
13	2510003	Fitting, Inlet, Gun	1
14	2660331	Housing, Gun, Left	1
15	2660149	Gun, Housing, Right	1
16	2512002	Pin, Trigger	1
17	2660004	Trigger, Gun	1
18	2660005	Stop, Trigger, Gun	1
19	2200002	Screw	8
*	2100001	Repair Kit	