



SPECIFICATIONS

Part Number:	DG4512	
Maximum Volume:	12.0 GPM	
Maximum Pressure:	4500 PSI	
Maximum Temperature:	320° F	
Port Sizes:	Inlet	3/8" NPT-F
	Outlet	1/4" NPT-F
Dimensions:	7.8" x 7.57" x 1.224"	
Weight:	1.3 lbs.	
Material:	Brass, Stainless Steel, Carbon Steel, Plastic, Viton	
REPAIR KIT - DG4512	2100285	

FEATURES

- All flow passages designed for minimum pressure drop - maximum flow
- Fluorocarbon seals for maximum high temperature performance
- Large comfortable hand grip to accommodate work gloves
- Additional venting for excellent high temperature performance
- Durable glass-filled housing
- Trigger made from Zytel (high tech nylon)



General Pump is a member of the Interpump Group



Ref 300779 Rev B
01-19

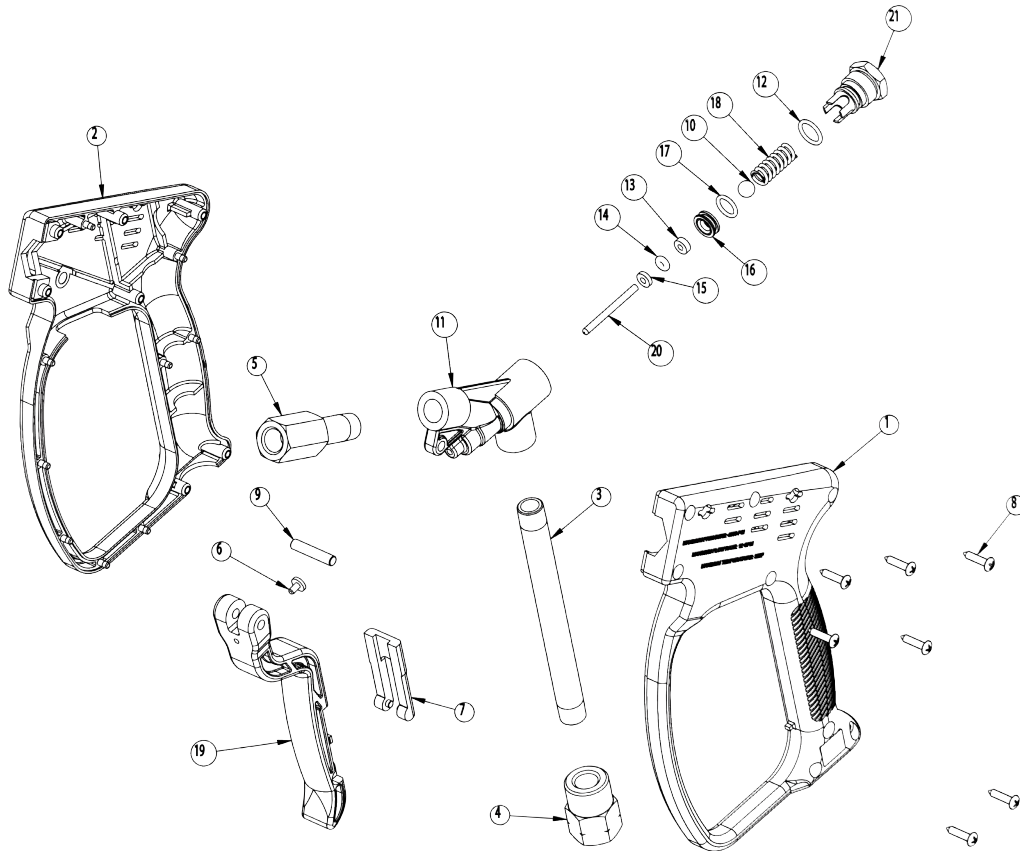


DG4512

Rear Inlet Spray Gun

GENERAL PUMP *A member of the Interpump Group*

PARTS LIST



No.	Part No.	Description	Qty.
1	2660188	Housing, Gun	1
2	2660187	Housing, Gun	1
3	2550048	Tube, Inlet	1
4	2530076	Fitting, Inlet, Gun	1
5	2530075	Fitting, Outlet	1
6	2520010	Striker	1
7	2660026	Trigger, Lock	1
8	2200065	Screw	7
9	2510194	Pin, Trigger	1
10*	2520004	Ball	1
11	2452018	Forging, Gun	1

No.	Part No.	Description	Qty.
12*	2701049	O-ring	1
13*	2510004	Washer, Brass	1
14*	2701048	O-ring	1
15*	2710018	Washer, Teflon	1
16*	2520085	Seat, Gun	1
17*	2701045	O-ring	1
18*	2720001	Spring	1
19	2660189	Trigger	1
20*	2520101	Pin, Trigger	1
21	2510193	Plug, Gun	1
*	2100285	Repair Kit (DG4512)	

* Repair Kit 2100285

