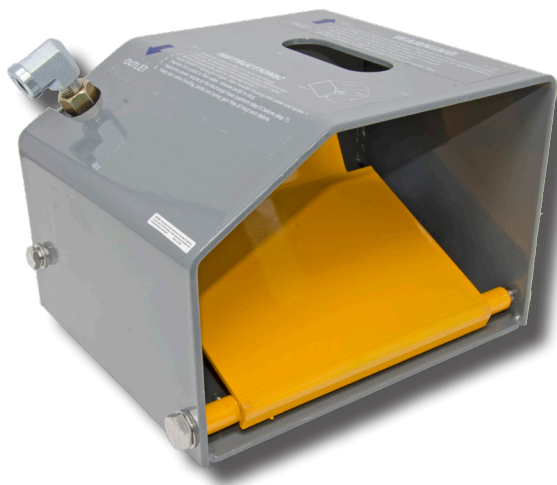


DFV5010

Industrial Foot Valve

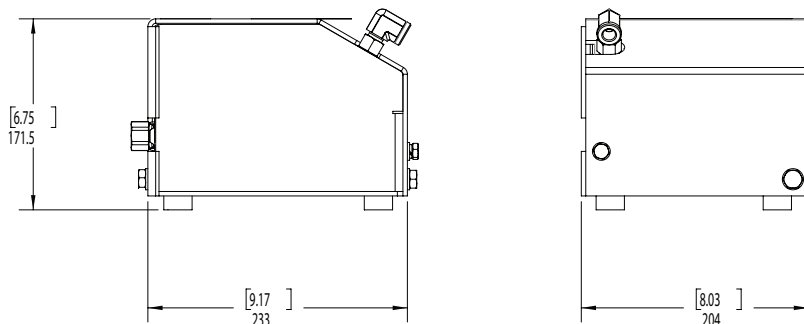


SPECIFICATIONS

PART NUMBER	DFV5010
MAX. PRESSURE	5,000 PSI
MAX. FLOW	10.0 GPM
INLET	3/8-18 NPT-F
OUTLET	1/4-18 NPT-F outlet
MAX. TEMP	320° F

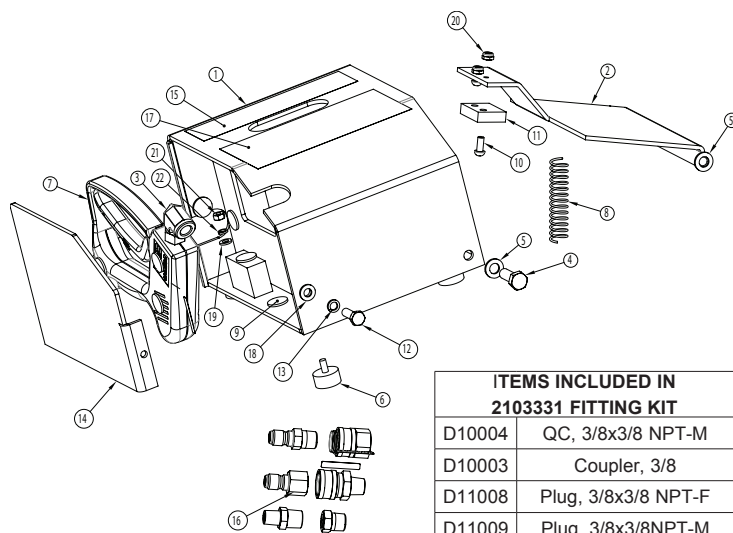
FEATURES/BENEFITS

- Offers hands-free operation!
- Sturdy, heavy-gauge steel construction
- Powder coated for durability
- Reliable design
- Protected pedal guards against accidental activation



PARTS LIST

Item	Part #	Description	Qty.
1	2103329	ASSY, SUB, FOOT VALVE	1
2	2103330	ASSY, SUB, PADDLE	1
3	2530148	FITTING, 90 DEGREE	1
4	2200088	HHCS, M10 X 1.5	2
5	2203413	WASHER, FLAT, M10	4
6	2702008	FOOT, 1.25 DIA	4
7	DGE5010	GUN	1
8	2720035	SPRING, COMPRESSION	1
9	2640042	PAD, VIBRATION	9
10	2200017	BOLT, M6 X 14	2
11	2660355	BLOCK, FOOT PEDAL	1
12	2200030	BOLT, M8	1
13	2203507	WASHER	1
14	2530149	PLATE, COVER, FOOT VALVE	1
15	2604014	LABEL, WARNING	1
16	2103331	KIT, FITTING, FOOT VALVE	1
17	2604015	LABEL, INSTRUCTION	1
18	2200013	WASHER, M8, SS	1
19	2200018	WASHER, M6	4
20	2200026	NUT, NYLOK, M6	2
21	2203022	NUT, M6 X 1	4
22	2203502	WASHER, M6, SS, LOCK	4



ITEMS INCLUDED IN 2103331 FITTING KIT	
D10004	QC, 3/8x3/8 NPT-M
D10003	Coupler, 3/8
D11008	Plug, 3/8x3/8 NPT-F
D11009	Plug, 3/8x3/8NPT-M
D10043	Fitting
2530147	Ftg, 3/8 NPTx1/4 NPT-M



General Pump
is a member of
the Interpump Group

Ref 310078 Rev B
06-19

