

DF FILTERS

Clear Bowl Filters



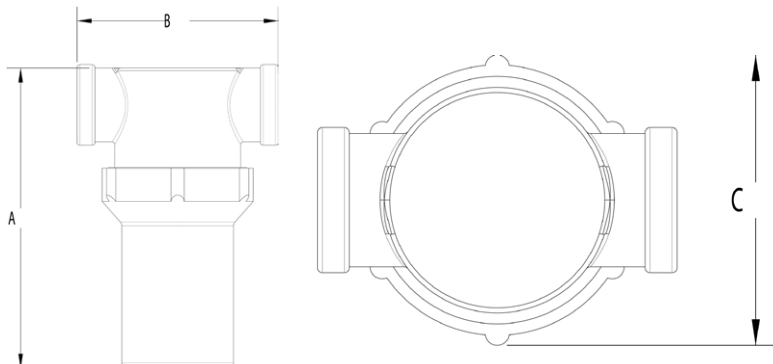
FEATURES

- Keeps debris out of pump
- Clear plastic bowl makes it easy to see when cleaning is required
- 50 mesh, stainless steel mesh screen is standard
- 80 mesh, stainless steel mesh screen is optional
- Easy to install
- Easy to disassemble and assemble for cleaning
- Made with durable long lasting materials*

SPECIFICATIONS

MODEL #	INLET/ OUTLET	PRESSURE	MATERIALS*
DF05050 DF05080	1/2" NPT-F	150 PSI at 70° F	O-Ring: EPDM Screen: SS Bowl: Polycarbonate Body: Nylon
DF07550 DF07580	3/4" NPT-F		
DF10050 DF10080	1" NPT-F		
DF12550 DF12580	1-1/4" NPT-F	100 PSI at 125° F	
DF15050 DF15080	1-1/2" NPT-F		

DIMENSIONS (inches)



	DF05050 DF05080	DF07550 DF07580	DF10050 DF10080	DF12550 DF12580	DF15050 DF15080
DIM A	5.08	5.41	6.44	7.17	8.19
DIM B	3.60	3.60	4.95	4.95	5.09
DIM C	2.90	2.90	4.06	4.06	4.06

REPLACEMENT PARTS

	DF05050 DF05080	DF07550 DF07580	DF10050 DF10080	DF12550 DF12580	DF15050 DF15080
O-Ring	2701077	2701077	2701078	2701078	2701078
50 Mesh Screen	2640029	2640029	2640031	2640035	2640033
80 Mesh Screen	2640030	2640030	2640032	2640036	2640034
Bowl	2660324	2660324	2660325	2660325	2660325

CAUTIONS

*Caution: Many factors may affect the performance and/or ratings of the filter. Consumers must consider use of chemicals, pressure spikes, environmental factors (such as sun exposure and ambient temperature) and any external factors (such as supporting the weight of other plumbing, proximity to moving parts, heat sources etc.).

If using chemical(s), consumers must check chemical compatibility against all materials of the product (as shown in “Materials” section above) using a trusted source. GP designs and selects materials to withstand the most common applications and chemicals; however not all situations may be suitable for this product. Concentration of chemical, fluid temperature, degree of agitation, presence of impurities, and mixing of chemicals all influence the rate of chemical attack. GP advises to thoroughly rinse / flush all system components that encounter chemicals. It is the responsibility of the consumer to determine if this product is suitable for their application.