

SPECIFICATIONS

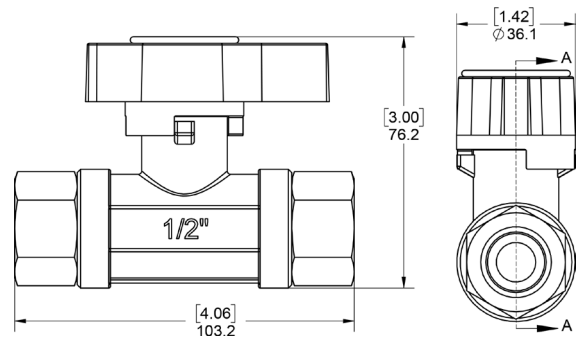
Part Number	DBV501212	
Maximum Pressure	5000 PSI	
Maximum Flow	12.0 GPM	
Maximum Temperature	180°F	
Port Sizes:	Inlet	1/2" NPT-F
	Outlet	1/2" NPT-F
Dimensions	4.06" L x 3" H x 1.42" W	
Weight	24 oz.	
Materials	Plated steel, Plastic, Teflon	



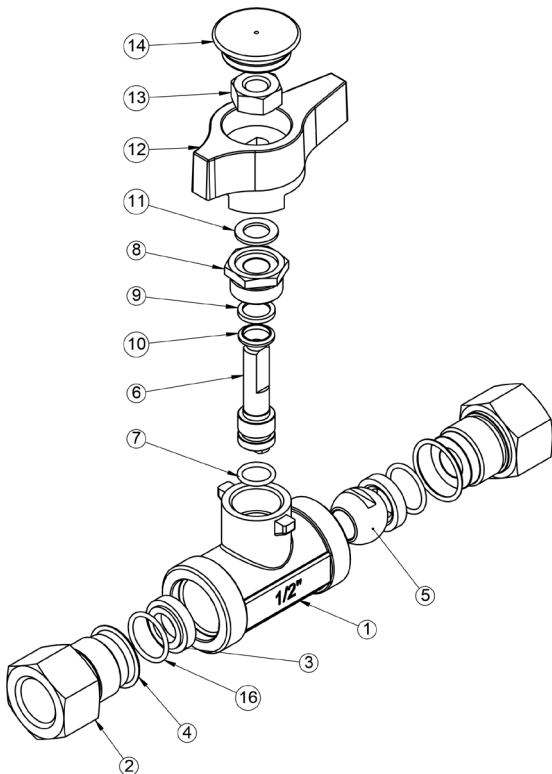
FEATURES

- Straight through, full flow design
- Durable, comfortable handle

DIMENSIONS (MM [IN])



PARTS LIST



ITEM	PART #	DESCRIPTION	QTY
1	2454004	BODY	1
2	2530165	FITTING, 1/2 NPT-F	2
3	2660403	SEAT, BALL VALVE 1/2"	2
4	2701094	O-RING	2
5	2520189	BALL 1/2"	1
6	2520190	STEM	1
7	2701083	O-RING	1
8	2530160	FITTING, STEM	1
9	2660376	WASHER, POM	1
10	2660377	WASHER, POM	1
11	2660378	WASHER, TEFLON	1
12	2450014	KNOB	1
13	2530161	NUT, M10	1
14	2660379	CAP, KNOB	1
16	2701100	O-RING 2-017, NBR, 90 DURO	2

MISC. VALVES

MISC. VALVES