

SAFETY PRECAUTIONS

1. Make sure incoming pressure does not exceed the rated pressure.
2. Use proper eye protection when assembling and using the hose reel.
3. Assemble the hose reel on a clean workbench free of debris and moisture.
4. Use soap and water when checking for air leaks.
5. Keep children away from work area.



HOSE REELS

FROM GENERAL PUMP

- **D30001** (AS SHOWN)
 - **D30002** (AS SHOWN)
 - **D30004** (W/PIGTAIL)
 - **D30006** (W/PIGTAIL)
- **DIRECT HAND-CRANK REWIND WITH LOCKING MECHANISM**
 - **SOLID STEEL CONSTRUCTION**
 - **DURABLE POWDERCOAT FINISH**
 - **FULL FLOW SWIVEL BRASS JOINT**

WARNING!

Exposure of skin directly to pressurized air or fluids could result in severe bodily injury!

OPERATOR'S MANUAL

Ref 300638 Rev. G
09-16

Ref 300638 Rev. G
09-15

General Pump
1174 Northland Drive • Mendota Heights, MN 55120
Phone: 651.686.2199 • Fax: 800.535.1745
www.generalpump.com • email: sales@gpcompanies.com

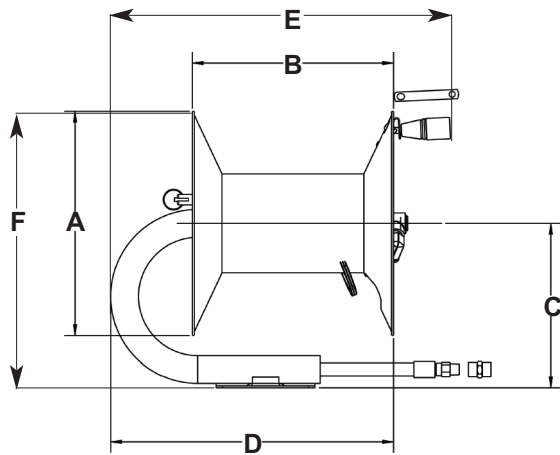
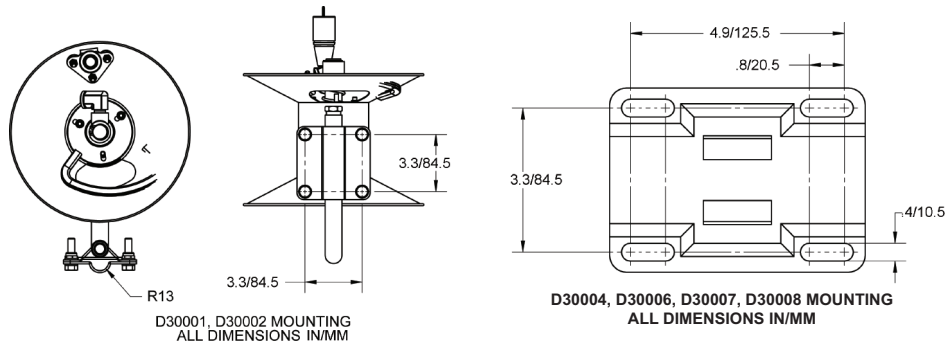


General Pump
is a member of
The Interpump Group



ASSEMBLY AND OPERATING INSTRUCTIONS

1. Connect the handle to the flange. Nuts go on handle side of flange.
2. Use (4) 3/8" or 10 mm bolts when securing the hose reel to ceiling or wall.
3. Use the provided nuts, bolts and mounting bracket when securing hose reel to a cart.
4. Use thread sealant (not provided) on inlet threads and on outlet hose (not provided).
5. The hose reel is ready for operation.



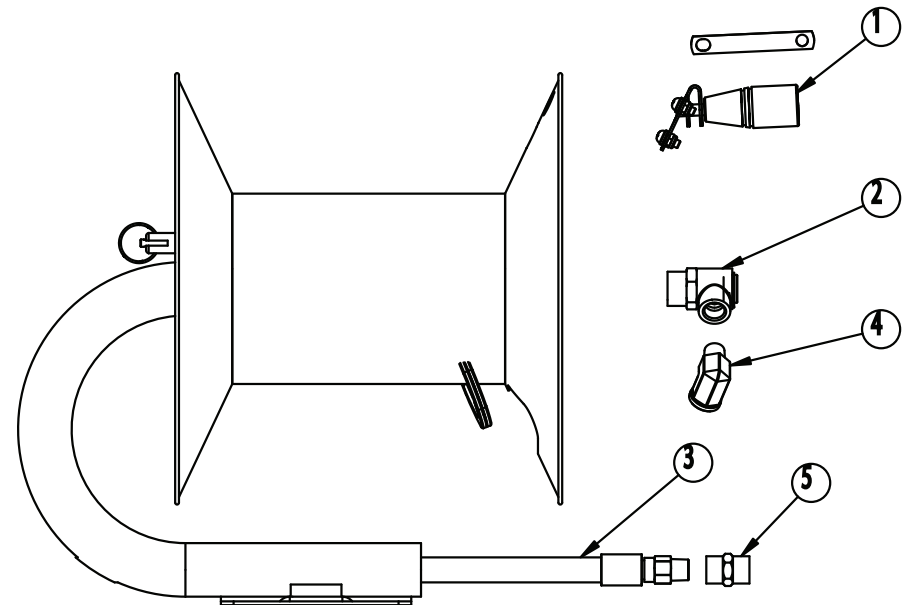
| | Dimensions (in/mm) | | | | | |
|---------------|--------------------|------------|---------|------------|------------|----------|
| | A | B | C | D | E | F |
| D30001 | 10.5/267 | 7.7/195 | 7.6/192 | 11.0/281 | 14.4/365 | 12.8/326 |
| D30002 | 10.5/267 | 12.0/308 | 7.6/192 | 15.2/386 | 18.5/471 | 12.8/326 |
| D30004 | 13.4/340 | 9.8/250 | 9.7/249 | 10.8/274 | 18.0/458 | 16.5/419 |
| D30006 | 13.4/340 | 12.2/310.6 | 9.8/248 | 16.2/410.6 | 19.4/493.5 | 16.5/418 |

Ref 300638 Rev. G
09-16

SPECIFICATIONS

| Model | 3/8" Capacity | Pressure | Inlet | Outlet |
|---------------|---------------|----------|-----------|-----------|
| D30001 | 50' | 4000 PSI | 3/8 NPT-F | 3/8 NPT-F |
| D30002 | 100' | | | |
| D30004 | 150' | | 3/8 NPT-M | |
| D30006 | 200' | | | |

MAXIMUM TEMPERATURE RATING: 185°F



PARTS LIST

| | Item | | | | |
|----------------|------------------------------------|---------|--------|--------|--------|
| | 1 | 2 | 3 | 4 | 5 |
| D30001 | 100055 | 2103241 | N/A | D10116 | N/A |
| D30002 | | 2103240 | D30003 | | D10065 |
| D30004 | | | | | |
| D30006 | | | | | |
| 2100278 | Repair kit for 2103241 and 2103240 | | | | |

Ref 300638 Rev. G
09-16