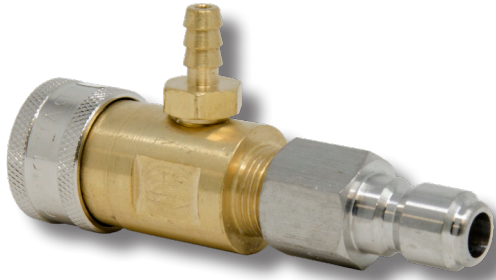


Fixed Injector

Quick Connect - SS Plug

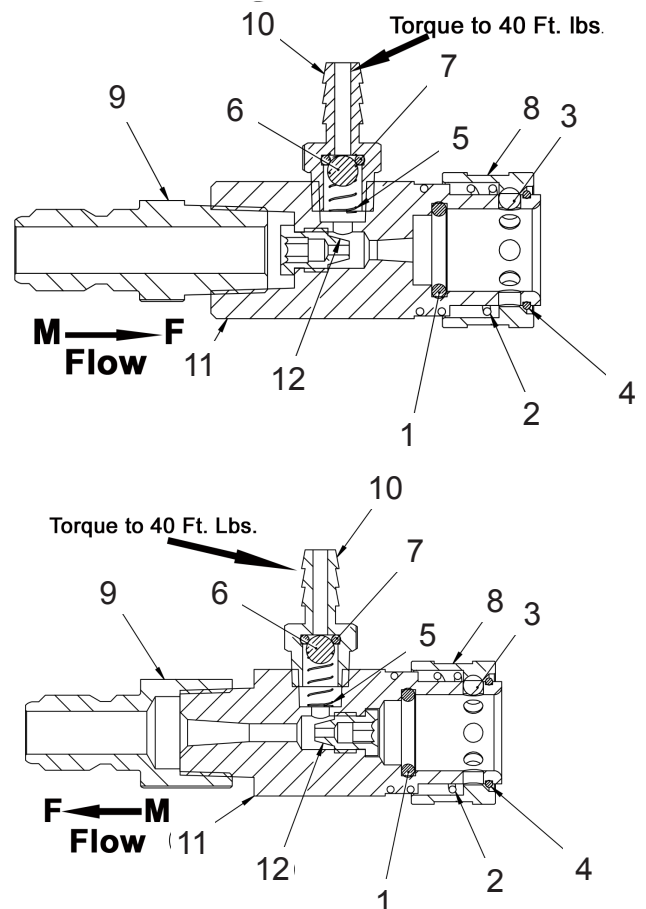
SPECIFICATIONS



| Part Number | D10110 | D10107 | D10111 | D10108 | D10112 | D10109 |
|---------------------|-------------------------------|---------|-----------|---------|-----------|---------|
| Orifice | 1.8 | | 2.1 | | 2.3 | |
| Maximum Volume | 2 - 3 GPM | | 3 - 5 GPM | | 5 - 8 GPM | |
| Maximum Pressure | 4500 PSI | | | | | |
| Flow Direction | F → M | M → F | F → M | M → F | F → M | M → F |
| Maximum Temperature | 190° F | | | | | |
| Inlet Port-3/8" QD | Coupler | Plug | Coupler | Plug | Coupler | Plug |
| Outlet Port-3/8" QD | Plug | Coupler | Plug | Coupler | Plug | Coupler |
| Hose Barb Size | 1/4" | | | | | |
| Dimensions | 3.875" L x 1.125" W x 2.0" H | | | | | |
| Weight | 0.50 lb. | | | | | |
| Materials | Brass, Stainless Steel, Viton | | | | | |

PARTS LIST

| No. | Part No. | Description | QTY. |
|-----|----------|---|------|
| 1* | 2701020 | O-Ring | 1 |
| 2 | 2720011 | Spring, Collar | 1 |
| 3 | 2520058 | Ball, Coupler | 1 |
| 4 | 2202005 | Snap Ring | 1 |
| 5* | 2720013 | Spring | 1 |
| 6* | 2520064 | Ball, Injector | 1 |
| 7* | 2701021 | O-Ring | 1 |
| 8 | 2510090 | Collar | 1 |
| 9 | D10078 | Plug (D10110, D10111, D10112) | 1 |
| | D10079 | Plug (D10107, D10108, D10109) | 1 |
| 10 | 2510084 | Hose Barb | 1 |
| 11 | 2510137 | Housing, Injector, 3/8" QD, 3/8" NPT-F, MF Brass (D10107, D10111, D10112) | 1 |
| | 2510143 | Housing, Injector, 3/8" QD, 3/8" NPT-F, FM Brass (D10110, D10111, D10112) | 1 |
| 12 | 2520079 | Nozzle, Ø.070" (D10110, D10107) | 1 |
| | 2520065 | Nozzle, Ø .083" (D10111, D10108) | 1 |
| | 2520073 | Nozzle, Ø .091" (D10112, D10109) | 1 |
| * | 2100239 | Repair Kit | |



General Pump is a member of the Interpump Group

