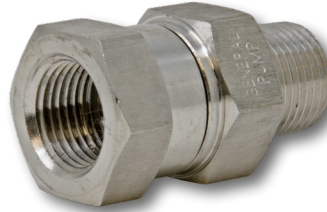
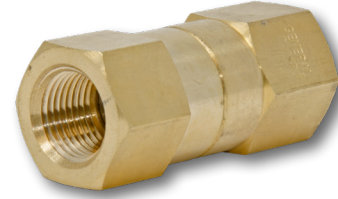




D10066



D10067



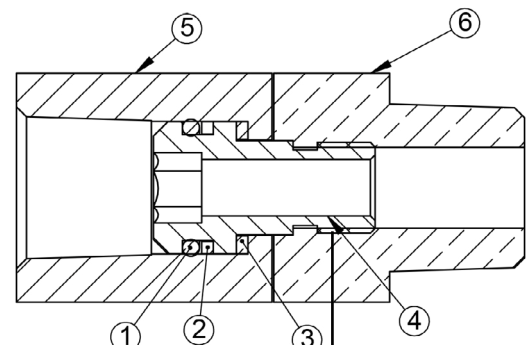
D10099

**SPECIFICATIONS**

Part Number		D10066	D10067	D10099
Max Pressure		4000 PSI	5000 PSI	4000 PSI
Port Size	Inlet:	3/8" NPT-F	3/8" NPT-F	3/8" NPT-F
	Outlet:	3/8" NPT-M	3/8" NPT-M	3/8" NPT-F
Materials		Brass, Teflon, Buna	Stainless Steel, Teflon, Buna	Brass, Teflon, Buna

**PARTS LIST D10066**

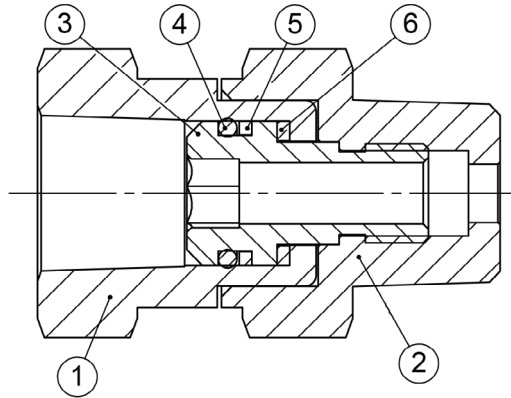
No.	Part No.	Description	Qty.
1	2701014	O-Ring	1
2	2710001	Back-up Ring, Teflon	1
3	3660055	Washer, Teflon	1
4	2520037	Bolt, 3/8"-24 UNF	1
5	2510023	Fitting, 3/8" NPT-F	1
6	2510024	Body	1
7	2400166	Prop 65 Label	1



Torque  
11 ft lbs (15 Nm)  
with thread locker

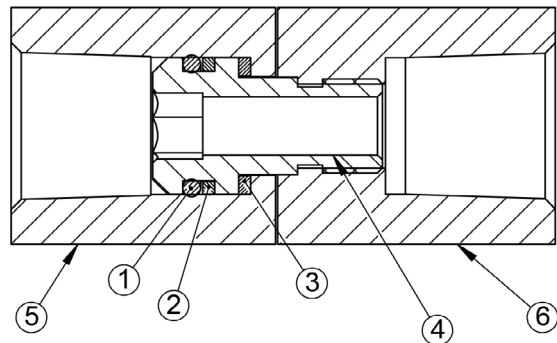
## PARTS LIST D10067

No.	Part No.	Description	Qty.
1	2520035	Fitting, 3/8" NPT-F	1
2	2520036	Fitting, 3/8" NPT-M	1
3	2520037	Bolt, 3/8"-24 UNF	1
4	2701014	O-ring	1
5	2710001	Back-up Ring, Teflon	1
6	2660055	Washer, Teflon	1



## PARTS LIST D10099

No.	Part No.	Description	Qty.
1	2701014	O-Ring	1
2	2710001	Back-up Ring, Teflon	1
3	3660055	Washer, Teflon	1
4	2520037	Bolt, 3/8"-24 UNF	1
5	2510023	Fitting, 3/8" NPT-F	1
6	2510144	Body	1
7	2400166	Prop 65 Label	1



**WARNING: High Pressure Systems require a primary pressure regulating device (i.e. regulator, unloader) and a secondary pressure relief device (i.e. pop-off valve, relief valve). Failure to install such relief devices properly could result in personal injury or damage to pump or property. GP does not assume any liability or responsibility for the operation of the user's high pressure system.**



WARNING: This product can expose you to chemicals including lead, which is known to the state of California to cause cancer and birth defects or other reproductive harm. For more information, go to [www.P65Warnings.ca.gov](http://www.P65Warnings.ca.gov)