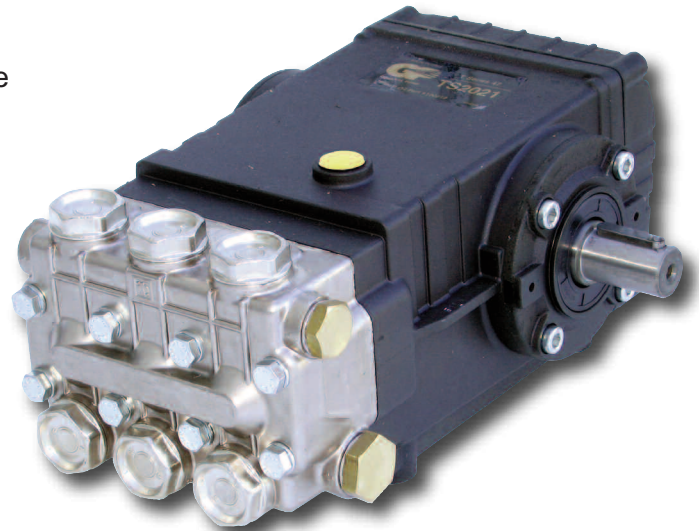


## FEATURES

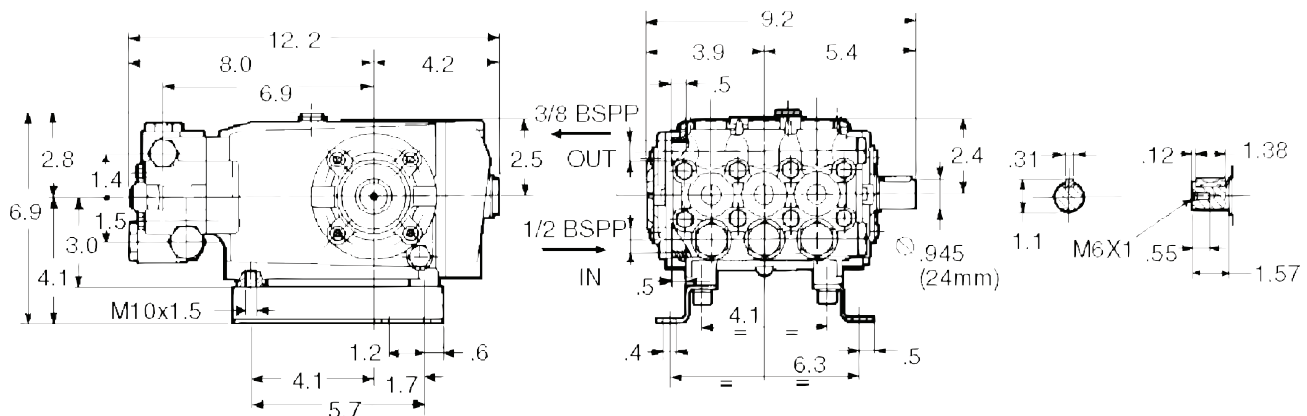
- The preferred pump frame in the car wash industry
- Forged, nickel-plated, brass manifold with an exclusive lifetime warranty
- Large-capacity, die-cast, anodized aluminum oil-bath crankcase
- Over-sized connecting rods for maximum life
- Heavy-duty tapered roller bearing
- Solid ceramic plungers with continuously lubricated packings
- Unitized stainless steel inlet and discharge valves



## SPECIFICATIONS

Pump Model	CW3555
Maximum Volume (GPM)	5.6
Maximum Discharge Pressure (PSI)	3500
Maximum Pump Speed (RPM)	1450
Maximum Inlet Pressure	125 PSI
Maximum Inlet Vacuum	9 ft. water (7.9 in. Hg)
Plunger Bore	.787 in. / 20 mm
Plunger Stroke	.630 in. / 16 mm
Crankcase Oil Capacity	40.6 oz.
Maximum Fluid Temperature	165° F
Inlet Port Thread	1/2-14 BSPP-F
Discharge Port Thread	3/8-19 BSPP-F
Shaft Diameter	.945 in. / 24 mm
Weight	32 lbs.
Dimensions	12.2" x 9.2" x 6.9"

## DIMENSIONAL DRAWING



TRIPLEX

TRIPLEX

