

**FEATURES**

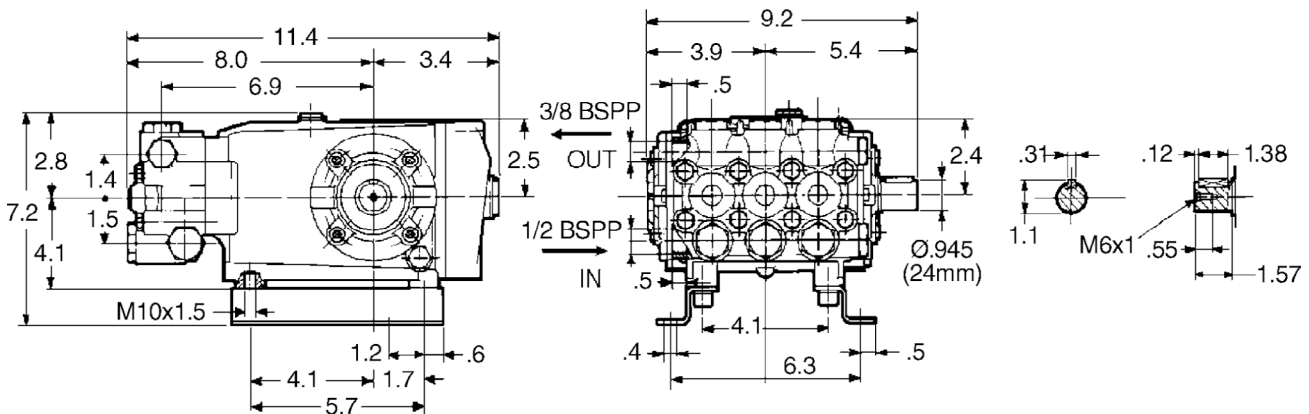
- The preferred pump frame in the pressure cleaning industry
- Forged brass manifold
- Large-capacity, die-cast, anodized aluminum oil-bath crankcase
- Over-sized connecting rods for maximum life
- Heavy-duty tapered roller bearing
- Solid ceramic plungers with continuously lubricated packings
- Unitized stainless steel inlet and discharge valves
- Available in left-handed "L" version



**SPECIFICATIONS**

Pump Model	CW24
Maximum Volume	5.0 GPM
Maximum Discharge Pressure	2500 PSI
Maximum Pump Speed	1250 RPM
Maximum Inlet Pressure	125 PSI
Plunger Bore	.787 in. / 20 mm
Plunger Stroke	.630 in. / 16 mm
Crankcase Oil Capacity	33.8 oz.
Maximum Fluid Temperature	165°F
Inlet Port Thread	1/2-14 BSP-F
Discharge Port Thread	3/8-19 BSP-F
Shaft Diameter	.945 in. / 24 mm
Weight	30 lbs.
Dimensions	11.4" x 9.2" x 7.2"

**DIMENSIONAL DRAWING**



TRIPLEX

TRIPLEX

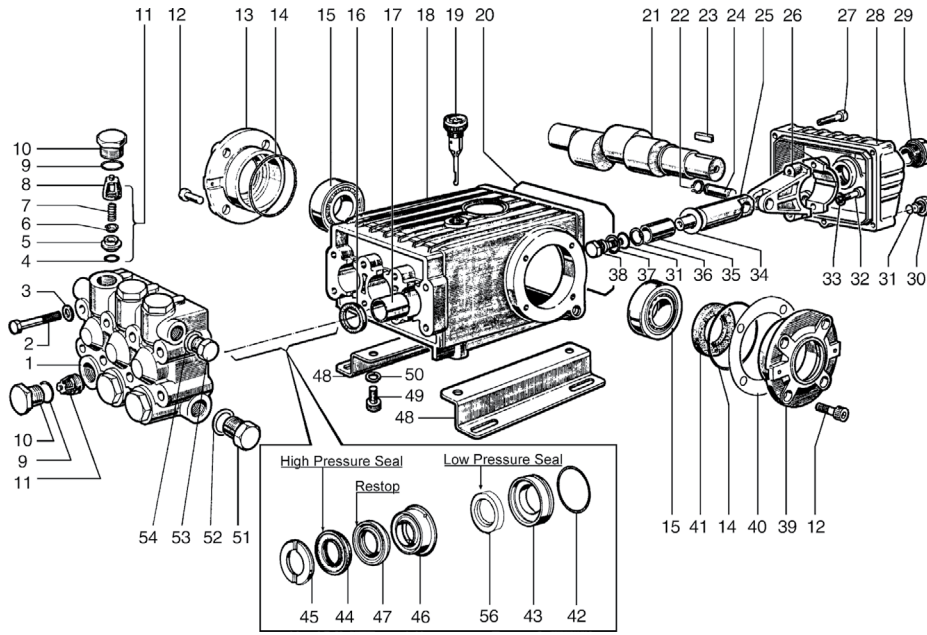


General Pump  
is a member of  
the Interpump Group



Ref 300325 Rev. F  
10-23





**PARTS LIST**

ITEM	PART NO.	DESCRIPTION	QTY.	ITEM	PART NO.	DESCRIPTION	QTY.	ITEM	PART NO.	DESCRIPTION	QTY.
1.	47121741	Manifold	1	20.	47211984	Cover, Gasket	1	39.	47150022	Cover, Crankcase	2
2.	99320600	Screw, M8 x 70	8	21.	47020035	Crankshaft	1	40.	97567800	Shim	2
3.	96702000	Washer, M8.4	8	22.	90055700	Ring, Snap, M12	6	41.	90164800	Seal, Oil	2
4.	7011115	O-ring, .674 x .103	8	23.	91489000	Key	1	42.	90361600	O-ring, 1.364x.070	3
5.	36200366	Seat, Valve	6	24.	97738000	Pin, Wrist	3	43.	47080970	Retainer, Packing	3
6.	36200176	Plate, Valve	6	25.	47050454	Guide, Plunger	3	44.	90270500	Seal, High Pressure	3
7.	94737600	Spring	6	26.	47030001	Connecting Rod	3	45.	47100051	Ring, Head, M20	3
8.	36200251	Guide, Valve	6	27.	99183700	Screw, M6x14	5	46.	47216970	Intermed. Ring	3
9.	701002	O-ring, .797x.103	6	28.	47160022	Cover, Crankcase	1	47.	90270400	Restop Ring	3
10.	98222800	Cap, Fine Thread	6	29.	97596800	Oil Indicator	1	48.	47200074	Pump Feet	2
11.	36703201	Valve Assembly	6	30.	98204100	Cap	1	49.	99364400	Screw, M10 x 18	4
12.	99303900	Screw, M8 x 16	8	31.	701013	O-ring, .426x.070	4	50.	96710600	Washer, M10.2	4
13.	47150122	Cover, Crankcase Side	1	32.	99309900	Screw, M8 x 35	6	51.	98217600	Cap	1
14.	701147	O-ring, 2.675x.103	2	33.	96701400	Washer, M8.4	6	52.	96751400	Washer, M21.5	1
15.	640047	Bearing, Roller	2	34.	96728600	Washer, M14	3	53.	98210000	Cap	1
16.	90162500	Seal, Oil	3	35.	47040409	Plunger, 20 mm	3	54.	96738000	Washer, M17.5	1
17.	90912600	Bushing	3	36.	660067	Ring, Back-up	3	56.	90269000	Seal, Low Press	3
18.	47010422	Crankcase	1	37.	96728000	Washer	3				
19.	98210600	Oil Dip Stick	1	38.	47219566	Screw, Plunger	3				
								Optional			
								190160	Rail & Coupler Kit (310)		1
								190161	Rail & Coupler Kit (530)		1

**REPAIR KITS**

KIT NO.	K01	K02	K03	K04	K06	K07	K71	K969	K9101A	K910
ITEM NO's INCLUDED IN KIT	11	16	41	9, 10	31,34,36 37,38	45	46, 47	44, 47, 56	42, 43, 44, 45, 46, 47, 56	42, 43, 56
NUMBER OF ASSEMBLIES IN KIT	6	3	2	6	3	6	3	3	1	3
NUMBER OF CYLINDERS KIT WILL SERVICE	3	3	-	3	3	3	3	3	1	3

**TORQUE SPECS\***

Pos.	Ft/lb	N-M
2	22.1	30
10	95.9	130
12	14.7	20
27	7.3	10
29	8.8	12
30	14.7	20
32	14.7	20
38	14.7	20
49	29.4	40
51	29.4	40

\* Decrease torque by 20% if threads are lubricated

**WARNING: High Pressure Systems require a primary pressure regulating device (i.e. regulator, unloader) and a secondary pressure relief device (i.e. pop-off valve, relief valve). Failure to install such relief devices properly could result in personal injury or damage to pump or property. GP does not assume any liability or responsibility for the operation of the user's high pressure system.**



WARNING: This product can expose you to chemicals including lead, which is known to the state of California to cause cancer and birth defects or other reproductive harm. For more information, go to [www.P65Warnings.ca.gov](http://www.P65Warnings.ca.gov)