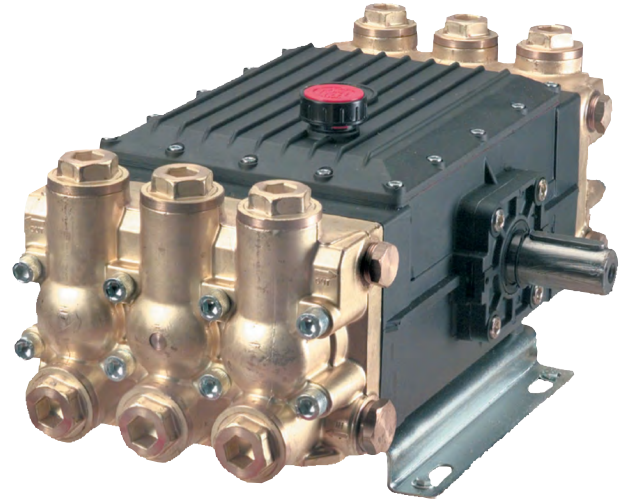


FEATURES

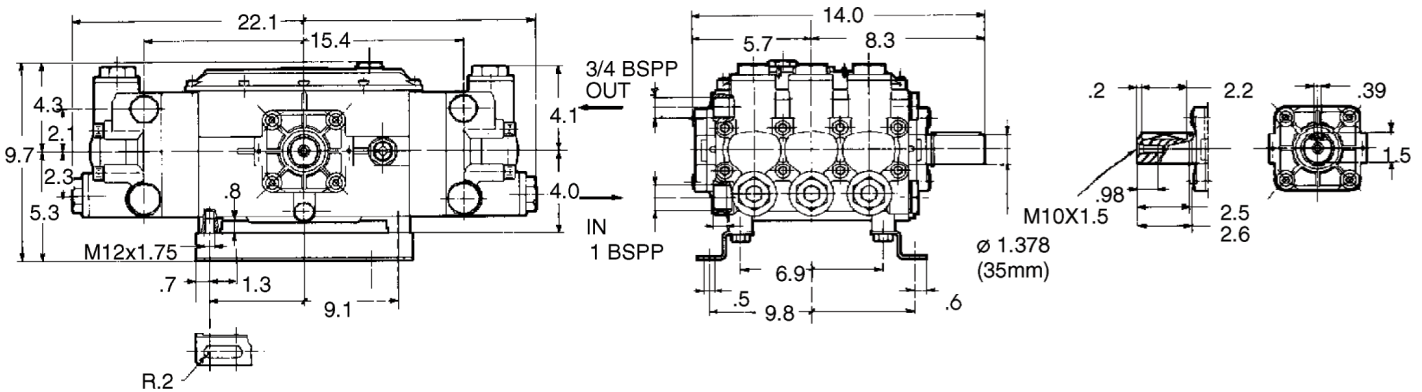
- Most widely used pump frame in the touch-less car-wash industry
- Forged brass manifold
- High flow applications
- Dual manifolds utilizing a common crankcase for efficient performance
- Solid ceramic plungers with continuously lubricated packings
- Unitized Stainless Steel inlet and discharge valves
- Bronze connecting rods for maximum life



SPECIFICATIONS

Pump Model	CW1541
Maximum Volume	41.0 GPM
Maximum Discharge Pressure	1200 PSI
Maximum Pump Speed	1000 RPM
Maximum Inlet Pressure	125 PSI
Maximum Inlet Vacuum	9 ft. water (7.9 in. Hg)
Plunger Bore (in / mm)	1.417 in. / 36 mm
Plunger Stroke (in / mm)	1.102 in. / 28 mm
Oil Capacity	2 quarts
Maximum Fluid Temperature	165° F
Inlet Port Thread	1-11 NPT-F
Discharge Port Thread	3/4"-14 NPT-F
Shaft Diameter	1.378 in. / 35 mm
Weight	156.0 lbs.
Dimensions	22.1" x 14.0" x 9.7"

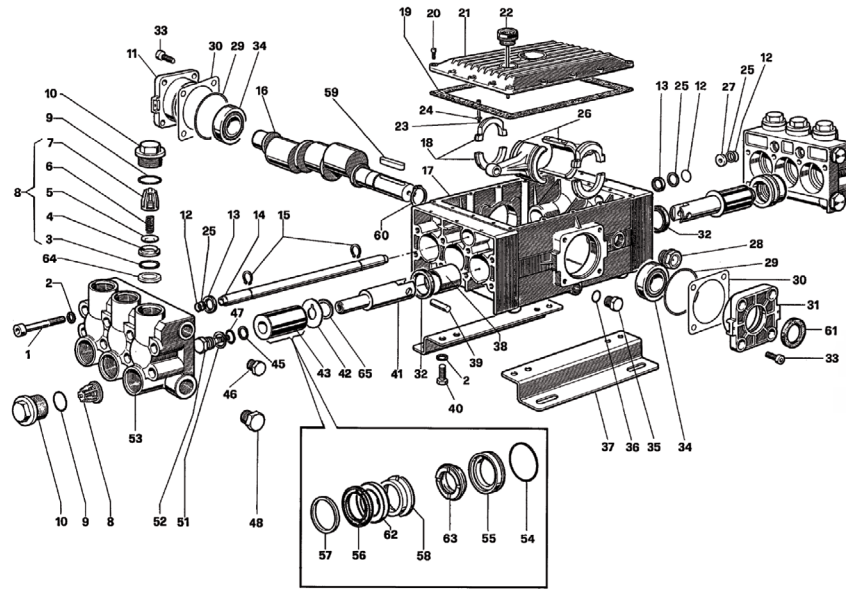
DIMENSIONAL DRAWING



CW1541 - 36 mm bore

GENERAL PUMP

A member of the Interpump Group



PARTS LIST

ITEM	PART NO.	DESCRIPTION	QTY.	ITEM	PART NO.	DESCRIPTION	QTY.	ITEM	PART NO.	DESCRIPTION	QTY.
1.	99441800	Screw, M12x90	16	22.	98227300	Oil Dipstick	1	43.	69040009	Plunger (36 mm)	6
2.	96719500	Washer, M12	20	23.	99192700	Screw, M6x35	12	45.	90510700	Back-up Ring	6
3.	90405900	O-ring, 1.296x.139	12	24.	203510	Washer, M6.4	12	46.	98226700	Cap	3
4.	36201166	Valve Seat	12	25.	90509100	Anti-ext. Ring	4	47.	701115	O-ring, .674x.103	6
5.	36201076	Valve	12	26.	77030241	Connecting Rod	3	48.	98232700	Cap	2
6.	94745000	Spring	12	27.	77220370	Plug	2	51.	96755500	Washer, M22	6
7.	36200951	Valve Guide	12	28.	97596800	Oil Indicator	1	52.	69219566	Plunger Bolt	6
8.	36706501	Valve Unit	12	29.	90414100	O-ring, 3.359x.139	2	53.	77125141	Manifold, NPT	2
9.	90406500	O-ring	12	30.	76220078	Shim	2	54.	90390300	O-ring, .924x.103	6
10.	98242000	Cap	12	31.	76150022	Crankcase	1	55.	76080170	Packing Retainer	6
11.	76150122	Cover	1	32.	90167000	Oil Seal	6	56.	90282000	Packing, H.P.	6
12.	90383500	O-Ring	4	33.	200052	Screw, M10x20	8	57.	69100293	Head Ring	6
13.	90161400	Oil Seal	4	34.	91847400	Bearing	2	58.	69217070	Intermed. Ring	6
14.	77212293	Head Conn. Tube	1	35.	98210000	Plug	1	59.	91497800	Key	1
15.	90060500	Snap Ring	2	36.	90383300	O-ring, .549x.103	1	60.	90069500	Snap Ring	1
16.	76021035	Crankshaft	1	37.	76200074	Pump Rail	2	61.	90167200	Oil Seal	1
17.	77010022	Crankcase	1	38.	90917400	Bushing	6	62.	90281800	Restop Ring	6
18.	77212001	Ring, Clamp, Conn. Rod	6	39.	97740000	Plunger Pin	6	63.	90282300	Packing, L.P.	6
19.	77211884	Cover Gasket	1	40.	99426600	Screw, M12x25	4	64.	96757000	Back-up Ring Valve Seat	12
20.	99186700	Screw	16	41.	77050054	Plunger Guide	6	65.	76211470	Plunger Spacer	6
21.	77211422	Cover	1	42.	96756800	Washer, M22.3	6				

REPAIR KITS

KIT NO.	K32	K41	K44	K74	K939	K940	K942	K943	100463	100564
ITEM NO's INCLUDED IN KIT	61	58	32	45, 47,	54, 55, 56, 57, 58, 62, 63	54, 55	57	3, 4, 5, 6, 7, (8), 64	54, 55, 56, 57, 58, 62, 63	54, 56, 62, 63
NUMBER OF ASSEMBLIES IN KIT	2	6	3	3	1	3	3	6	6	6
NUMBER OF CYLINDERS KIT WILL SERVICE	-	3	3	3	1	3	3	3	6	6

TORQUE SPECS*

Pos.	Ft/lb	Nm
1	51.5	70
10	110.6	150
20	7.3	10
23	8.8	12
28	8.8	12
33	29.5	40
35	37	50
40	51.5	70
46	51.5	70
48	73.7	100
52	29.4	40

* Decrease torque by 20% if threads are lubricated

WARNING: High Pressure Systems require a primary pressure regulating device (i.e. regulator, unloader) and a secondary pressure relief device (i.e. pop-off valve, relief valve). Failure to install such relief devices properly could result in personal injury or damage to pump or property. GP does not assume any liability or responsibility for the operation of the user's high pressure system.



WARNING: This product can expose you to chemicals including lead, which is known to the state of California to cause cancer and birth defects or other reproductive harm. For more information, go to www.P65Warnings.ca.gov

