

FEATURES

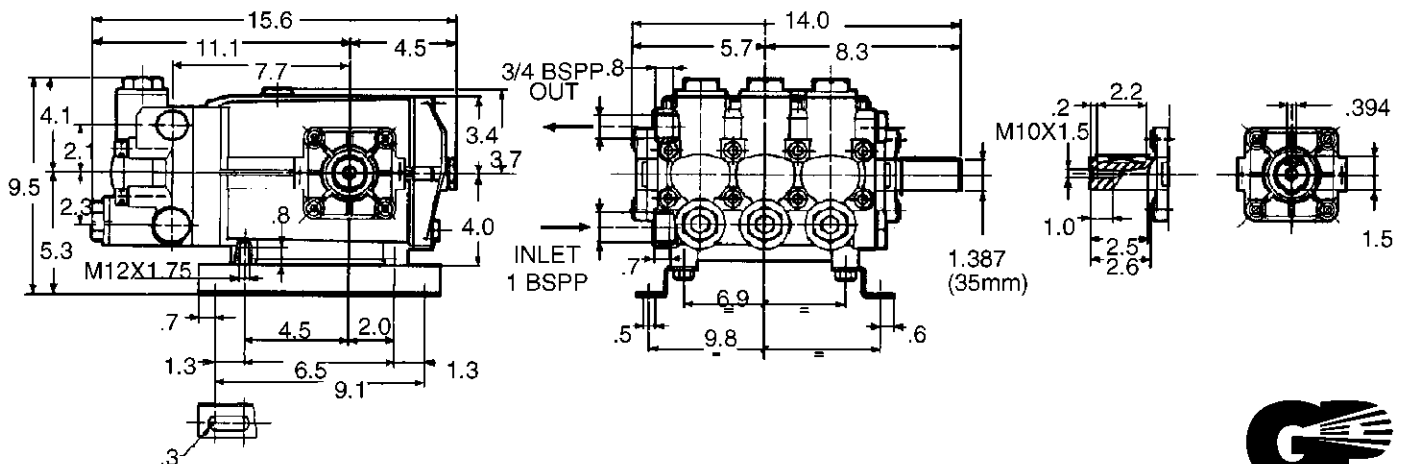
- The industry's choice for high-flow applications
- Forged brass manifold with an exclusive lifetime warranty
- Large-capacity, die-cast, anodized aluminum oil-bath crankcase
- Over-sized connecting rods for maximum life
- Heavy-duty tapered roller bearing.
- Solid ceramic plungers with continuously lubricated packings
- Unitized stainless steel inlet and discharge valves



SPECIFICATIONS

Pump Model	AT0088
Maximum Volume	22.48 GPM
Maximum Discharge Pressure	870 PSI
Maximum Pump Speed	650 RPM
Maximum Inlet Pressure	125 PSI
Bore	1.771 in. / 45 mm
Stroke (in./mm)	1.102 / 28
Crankcase Oil Capacity	61 oz.
Maximum Fluid Temperature	165°F
Inlet Port Thread	1-11 BSPP-F
Discharge Port Thread	3/4-14 BSPP-F
Shaft Diameter	1-3/8" ASAE splined
Weight	60 lbs.
Dimensions	15.6 x 14.0 x 9.5 in.

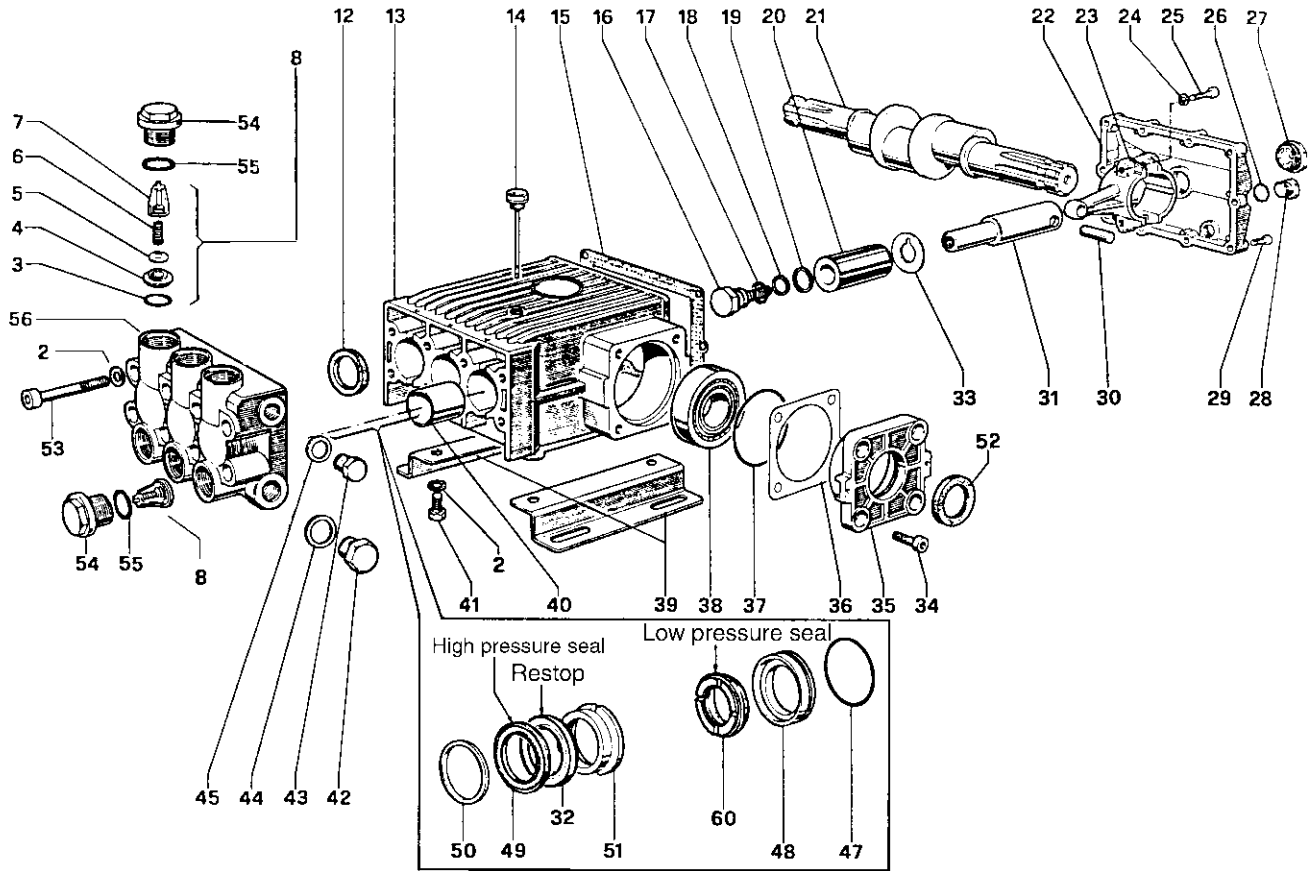
DIMENSIONAL DRAWING



AT Series 76 – Triplex

GENERAL PUMP

A member of the Interpump Group



PARTS LIST

ITEM	PART NO.	DESCRIPTION	KIT	QTY.	ITEM	PART NO.	DESCRIPTION	KIT	QTY.	ITEM	PART NO.	DESCRIPTION	KIT	QTY.
2.	96.7195.00	Washer	12		22.	76.1600.22	Crankcase Cover	1		39.	76.2000.74	Foot	2	
3.	90.4059.00	O-Ring	43	6	23.	76.0300.01	Connecting Rod	3		40.	90.9174.00	Bushing	3	
4.	36.2011.66	Valve Seat	43	6	24.	96.7104.00	Washer	6		41.	99.4266.00	Screw	4	
5.	36.2010.76	Valve	43	6	25.	99.3720.00	Screw	6		42.	98.2325.00	Cap Screw	1	
6.	94.7450.00	Spring	43	6	26.	90.3833.00	O-Ring	2		43.	98.2265.00	Cap Screw	1	
7.	36.2009.51	Valve Guide	43	6	27.	97.5968.00	Oil Sight Gauge	1		44.	96.7870.00	Washer	1	
8.	36.7065.01	Valve Unit	43	6	28.	98.2100.00	Cap Screw	2		45.	96.7700.00	Washer	1	
12.	90.1670.00	Oil Seal	44	3	29.	99.1897.00	Screw	10		47.	90.3903.00	O-Ring	47,80	3
13.	76.0100.22	Crankcase	1		30.	97.7400.00	Pin	3		48.	76.0802.70	Packing Retainer	47,80	3
14.	98.2270.00	Oil Dipstick	1		31.	77.0500.22	Plunger Guide	3		49.	90.2850.00	Packing	79,80	3
15.	76.2119.84	Gasket	1		32.	90.2848.00	Restop Ring	79,80,81	3	50.	76.1002.51	Head Ring	48,80	3
16.	69.2195.66	Plunger Screw	74	3	33.	96.7568.00	Washer	3		51.	76.2170.70	Intermed. Ring	80,81	3
17.	90.3841.00	O-Ring	74	3	34.	99.3652.00	Screw	8		52.	90.1672.00	Oil Seal	32	2
18.	90.5107.00	Anti-Ext. Ring	74	3	35.	76.1500.22	Cover	2		53.	99.4418.00	Screw	8	
19.	96.7555.00	Washer	74	3	36.	76.2200.78	Shim	2		54.	98.2420.00	Cap Screw	6	
20.	76.0402.09	Plunger (45 mm)	3		37.	90.4141.00	O-Ring	2		55.	90.4065.00	O-Ring	6	
21.	76.0201.35	Shaft 1-3/8" ASAE splined dual	1		38.	91.8473.00	Bearing	2		56.	76.1200.41	Brass Manifold	1	
	76.0207.35	Shaft 1-3/8" ASAE x 35mm solid								60.	90.2855.00	Seal, Low Press., 45mm	79,80	3

REPAIR KITS

KIT NO.	32	43	44	47	48	74	79	80	81
ITEM NO.s INCLUDED IN KIT	52	3, 4, 5, 6, 7 (8)	12	47, 48	50	16, 17, 18, 19	32, 49, 60	32, 47, 48, 49, 50, 51, 60	32, 51
NUMBER OF ASSEMBLIES IN KIT	2	6	3	3	6	3	3	1	3
NUMBER OF CYLINDERS KIT WILL SERVICE	-	3	3	3	3	3	3	1	3

TORQUE SPECS*

Position	Ft.-lbs.
1	51.5
11	51.5
16	29.4
25	29.4
27	13.2
28	29.4
29	7.3
34	29.4
41	51.5
42	73.7
43	51.5

*Decrease torque by 20% if threads are lubricated.

