

FEATURES

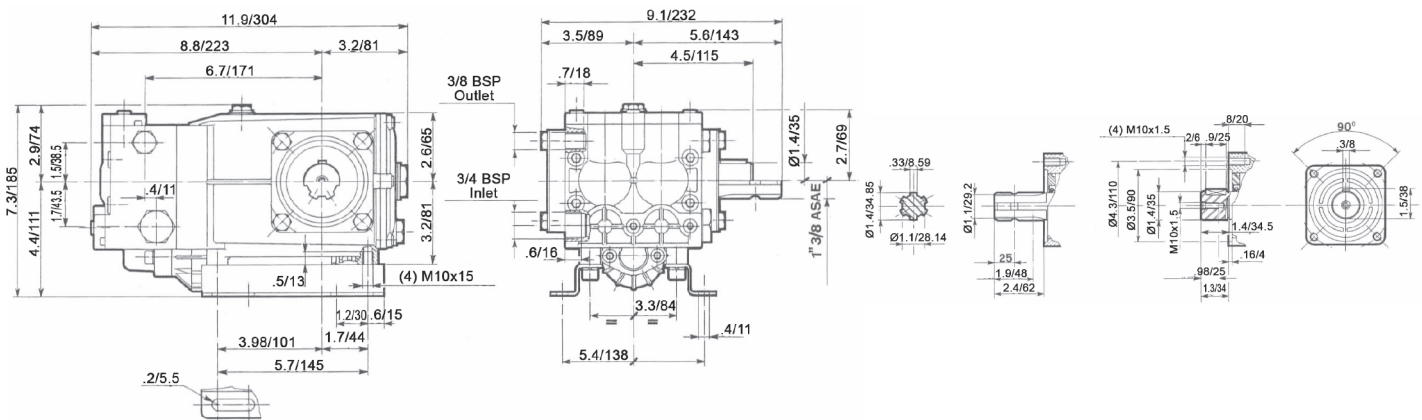
- Aluminum manifold
- Die-cast, anodized aluminum, oil-bath crankcase
- Solid ceramic plungers with continuously lubricated packings
- The original InterPump unitized Stainless Steel K01 inlet and outlet valves
- Ideal for drain cleaning and jetting applications
- Duplex pulsing action for improved impacted cleaning
- Also available in "L" left-handed versions



SPECIFICATIONS

Pump Model	AT0033
Maximum Volume	7.93 GPM
Maximum Discharge Pressure	435 PSI
Maximum Pump Speed	650 RPM
Maximum Inlet Pressure	125 PSI
Plunger Bore	1.417 in. / 36 mm
Plunger Stroke	.945 in. / 24 mm
Crankcase Oil Capacity	22 oz.
Maximum Fluid Temperature	165° F
Inlet Port Thread	3/4-14 BSP-F
Discharge Port Thread	3/8-19 BSP-F
Shaft Diameter	1-3/8" ASAE and 23 mm solid
Weight	28 lbs.
Dimensions	12" x 9" x 7.3"

DIMENSIONAL DRAWING



TRIPLEX

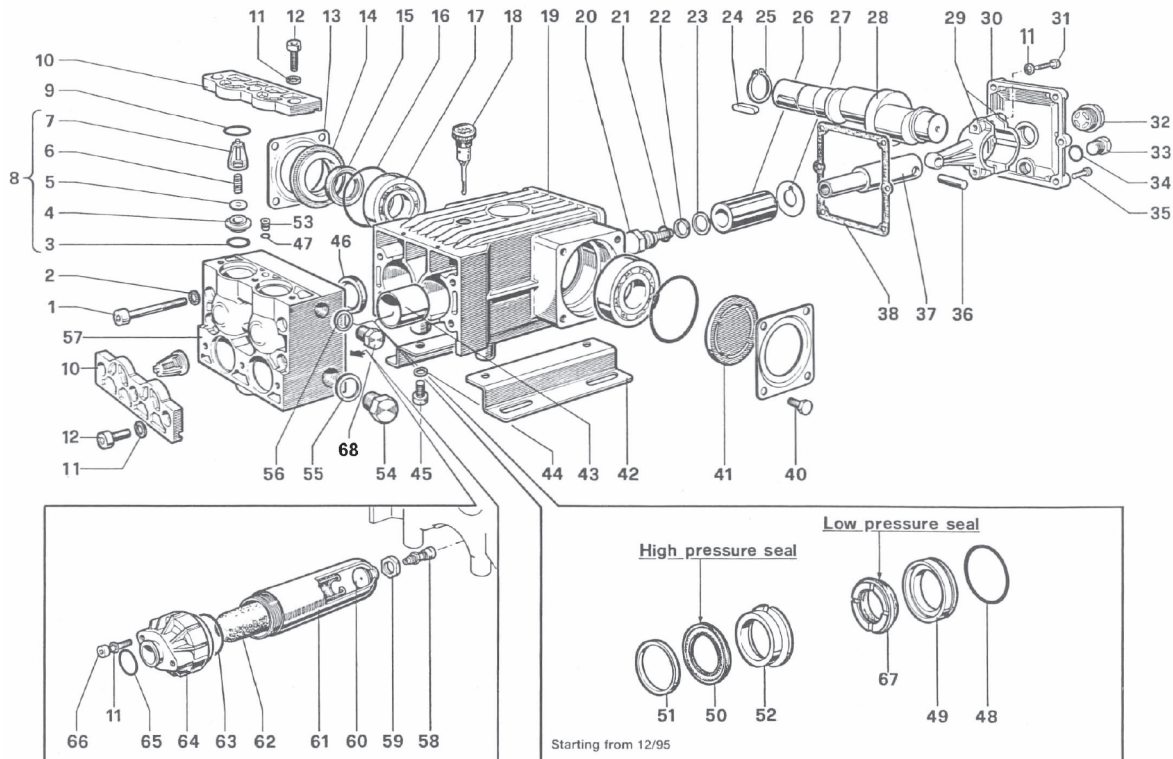
TRIPLEX



General Pump
is a member of
the Interpump Group

Ref 300284 Rev. C
06-16





PARTS LIST

ITEM	PART NO.	DESCRIPTION	QTY.	ITEM	PART NO.	DESCRIPTION	QTY.	ITEM	PART NO.	DESCRIPTION	QTY.
1.	99378700	Screw	4	24.	91487800	Key	1	46.	90165600	Oil Seal	2
2.	96710400	Washer	4	25.	90069500	Circlip	1	47.	90357600	O-ring	1
3.	90385900	O-ring	4	26.	69040009	Plunger, 36 mm	2	48.	90388500	O-ring	2
4.	36201766	Valve Seat	4	27.	96756500	Washer	2	49.	69080270	Packing Retainer	2
5.	36201876	Valve	4	28.	75020835	Crankshaft, 1-3/8" x 35 mm solid	1	50.	90282000	Packing	2
6.	94739400	Spring	4		75020335	Crankshaft, 35 mm solid	1	51.	69100293	Head Ring	2
7.	36200851	Valve Guide	4		75020535	Crankshaft, 1-3/8" ASAE	1	52.	69216870	Intermed. Ring	2
8.	36706001	Valve Unit	4	29.	69030001	Connecting Rod	2	53.	75220370	Cap Screw	1
9.	90405500	O-ring	4	30.	75160022	Cover	1	54.	98226500	Cap Screw	1
10.	75218022	Valve Cover	2	31.	99309900	Screw	4	55.	96770000	Washer	1
11.	96701400	Washer	12	32.	97596800	Oil Sight Gauge	1	56.	96738000	Washer	1
12.	99305900	Screw	6	33.	98210050	Cap Screw	2	57.	75120022	Manifold	1
13.	68150074	Crankcase Cover	2	34.	90383300	O-ring	1	58.	98865000	Air Valve	1
14.	69211551	Spacer	1	35.	99186700	Screw	6	59.	92256200	Nut	1
15.	90167200	Oil Seal	1	36.	97739800	Pin	2	60.	75210570	Diaphragm Screw	1
16.	90413100	O-ring	2	37.	69050022	Plunger Guide	2	61.	75180089	Cover	1
17.	91847000	Bearing	2	38.	75211984	Gasket	1	62.	75170047	Diaphragm	1
18.	98210600	Oil Dipstick	1	40.	99363600	Screw	8	63.	90407700	O-ring	1
19.	75010022	Crankcase	1	41.	69211651	Spacer	1	64.	75190064	End Cover	1
20.	69219566	Plunger Screw	2	42.	47200074	Foot	2	65.	90404100	O-ring	1
21.	90384100	O-ring	2	43.	90916200	Bushing	2	66.	99308400	Screw	2
22.	90510700	Anti-ext. ring	2	44.	96710600	Washer	4	67.	90282300	Seal, LP, 36 mm	2
23.	96755500	Washer	2	45.	99364400	Screw	4	68.	98210000	Plug	1

REPAIR KITS

KIT NO.	K32	K37	K38	K39	K40	K41	K42	K62	K74
ITEM NO's INCLUDED IN KIT	15	46	50, 67	48, 49, 50, 51, 52, 67	48, 49	51	52	3, 4, 5, 6, 7 (8)	20, 21, 22, 23
NUMBER OF ASSEMBLIES IN KIT	2	3	32	1/2	3	6	3	6	3
NUMBER OF CYLINDERS KIT WILL SERVICE	-	3	3	1	3	3	3	3	3

TORQUE SPECS*

Pos.	Ft/lb	N-M
1	29.4	40
12	14.7	20
20	29.4	40
31	14.7	20
32	13.2	18
33	29.4	40
35	7.3	10
40	29.4	40
45	29.4	40
54	51.5	70
66	14.7	20

* Decrease torque by 20% if threads are lubricated

Ref 300284 Rev. C
06-16