

GP BLASTER

Straight Flow Nozzle

FEATURES

- Cleans surfaces from longer distances
- Robust stainless steel construction
- Durable, cost-effective design
- Higher-impact design offers superior cleaning



AVAILABLE SIZES

"ASSEMBLY P/N (1/4" QD PLUG INLET)"	"ASSEMBLY P/N (1/4" NPT-M INLET)"	NOZZLE SIZE	INSERT P/N (ITEM 3)
900020SFQ	900020SF	#2.0	900020EG
900025SFQ	900025SF	#2.5	900025EG
900030SFQ	900030SF	#3.0	900030EG
900035SFQ	900035SF	#3.5	900035EG
900040SFQ	900040SF	#4.0	900040EG
900045SFQ	900045SF	#4.5	900045EG
900050SFQ	900050SF	#5.0	900050EG
900055SFQ	900055SF	#5.5	900055EG
900060SFQ	900060SF	#6.0	900060EG
900065SFQ	900065SF	#6.5	900065EG
900070SFQ	900070SF	#7.0	900070EG
900075SFQ	900075SF	#7.5	900075EG
900080SFQ	900080SF	#8.0	900080EG
900085SFQ	900085SF	#8.5	900085EG
900090SFQ	900090SF	#9.0	900090EG
900100SFQ	900100SF	#10.0	900100EG

SPECIFICATIONS

Part Number	See Chart to Left
Max Volume	10.0 GPM
Rated Pressure	5,000 PSI
Max Temperature	250° F
Inlet Port Size	1/4" NPT-M, 1/4" QD-M
Dimensions	3.8" x .875"
Weight	0.3 lbs.
Materials	Stainless Steel, Viton

*Check with Sales Representative for additional available nozzle sizes



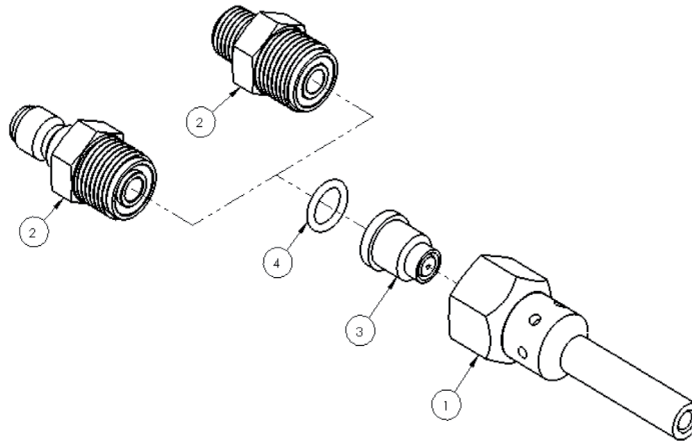
General Pump
is a member of
the Interpump Group



Ref 301123 Rev C
04-23



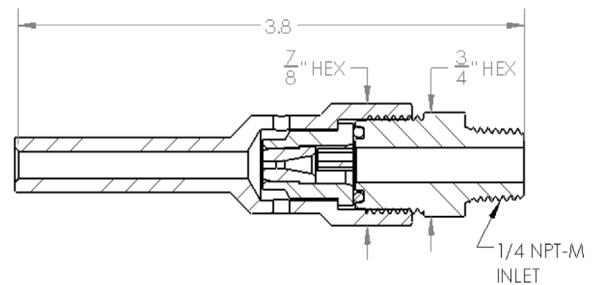
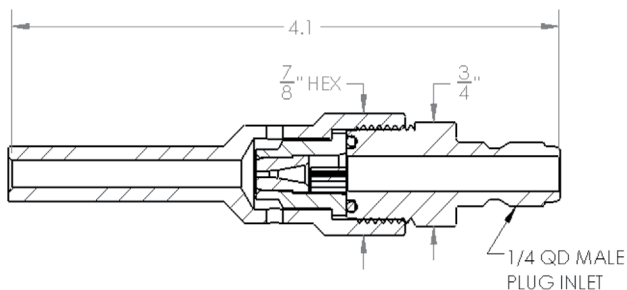
PARTS LIST



No.	Part No.	Description	Qty.
1*	520444	STABILIZER FITTING	1
2	520443	INLET FITTING, 1/4" NPT-M	1
	520447	INLET FITTING, 1/4" QD-M	1
3	SEE TABLE	NOZZLE HOLDER	1
4	701146	O-RING, 2MM CS x 10MM ID	1

*Torque item 1 to 20-24 ft. lbs.

DIMENSIONS



WARNINGS

WARNING: High Pressure Systems require a primary pressure regulating device (i.e. regulator, unloader) and a secondary pressure relief device (i.e. pop-off valve, relief valve). Failure to install such relief devices properly could result in personal injury or damage to pump or property. GP does not assume any liability or responsibility for the operation of the user's high pressure system.