

FEATURES

- Quick change nozzle design
- Robust stainless steel construction
- Durable, cost-effective design
- Higher-impact design offers superior cleaning

**AVAILABLE SIZES**

"ASSEMBLY P/N (1/4" QD PLUG INLET)"	"ASSEMBLY P/N (1/4" NPT-M INLET)"	SPRAY ANGLE	NOZZLE SIZE	INSERT P/N (ITEM 3)
900020UNQ	900020UN	0 DEG	#2.0	900020EG
915020UNQ	915020UN	15 DEG	#2.0	915020EG
925020UNQ	925020UN	25 DEG	#2.0	925020EG
940020UNQ	940020UN	40 DEG	#2.0	940020EG
900025UNQ	900025UN	0 DEG	#2.5	900025EG
915025UNQ	915025UN	15 DEG	#2.5	915025EG
925025UNQ	925025UN	25 DEG	#2.5	925025EG
940025UNQ	940025UN	40 DEG	#2.5	940025EG
900030UNQ	900030UN	0 DEG	#3.0	900030EG
915030UNQ	915030UN	15 DEG	#3.0	915030EG
925030UNQ	925030UN	25 DEG	#3.0	925030EG
940030UNQ	940030UN	40 DEG	#3.0	940030EG

SPECIFICATIONS

Part Number	See Chart to Left
Max Volume	10.0 GPM
Rated Pressure	5,000 PSI
Max Temperature	250° F
Inlet Port Size	1/4" NPT-M, 1/4" QD-M
Dimensions	1.95 x .875"
Weight	0.19 lbs.
Materials	Stainless Steel, Viton

*Check with Sales Representative for additional available nozzle sizes



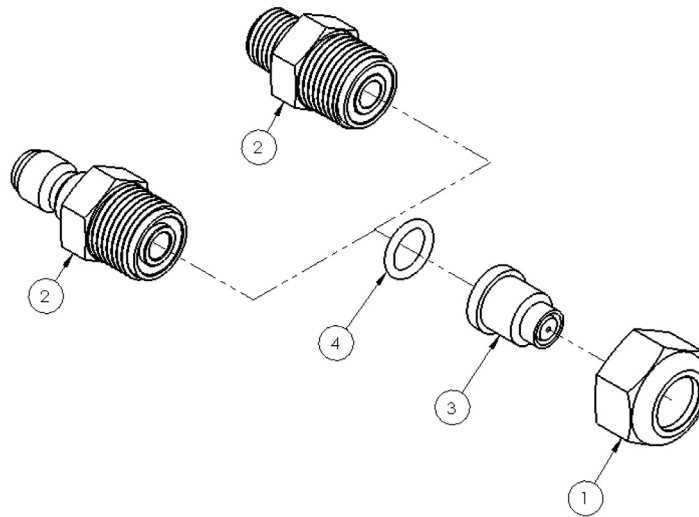
General Pump
is a member of
the Interpump Group



Ref 301122 Rev C
04-23



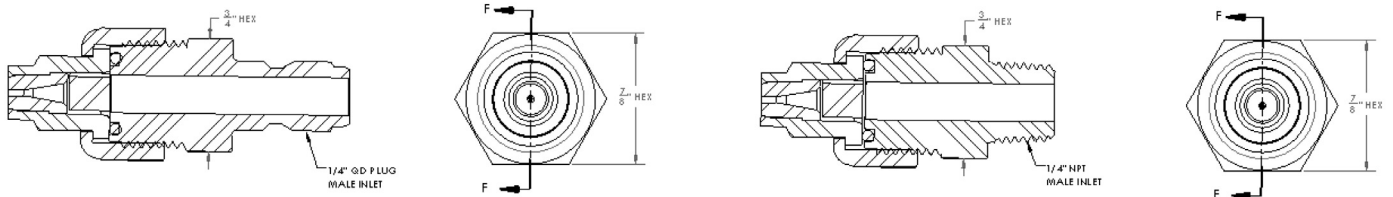
PARTS LIST



No.	Part No.	Description	Qty.
1*	520442	RETAINER NUT	1
2	520443	INLET FITTING, 1/4" NPT-M	1
	520447	INLET FITTING, 1/4" QD-M	1
3	SEE TABLE	NOZZLE HOLDER	1
4	701146	O-RING, 2MM CS x 10MM ID	1

*Torque item 1 to 20-24 ft. lbs.

DIMENSIONS



WARNINGS

WARNING: High Pressure Systems require a primary pressure regulating device (i.e. regulator, unloader) and a secondary pressure relief device (i.e. pop-off valve, relief valve). Failure to install such relief devices properly could result in personal injury or damage to pump or property. GP does not assume any liability or responsibility for the operation of the user's high pressure system.