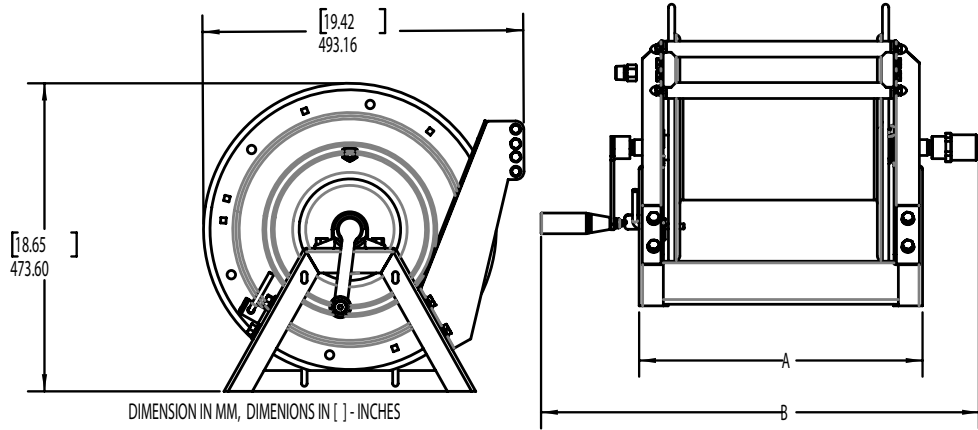
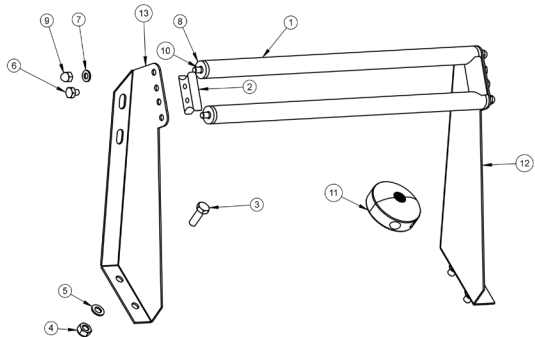


DIMENSIONS



	A		B	
	MM	INCHES	MM	INCHES
DHRA50150	315	12.4	557	22
DHRA50300	445	17.5	687.5	27.1
DHRA50450	585	23	827.5	32.6

EXPLODED VIEW AND PARTS



Item	Part No.	Description	QTY	Item	Part No.	Description	QTY
1	2550199	Guide, Horizontal, 150'	2	7	2200013	Washer, M8, SS	8
	2550200	Guide, Horizontal, 300'		8	2660321	Bushing	4
	2550216	Guide, Horizontal, 450'		9	2203020	Nut, Acorn, M8	4
2	2520141	Guide, Vertical	2	2520142	Axis, Roller, 150'	2	
3	2200088	HHCS, M10 x 1.5	4	2520143	Axis, Roller, 300'		
4	2203017	Nut, M10, Nylok, SST	4	2520151	Axis, Roller, 450'		
5	2203413	Washer, Flat, M10	8	11	2100528	Clamp, Hose, 3/8"	1
6	2200109	HHCS, M8 x 1.25 x 10, SST	4	12	2540200	Bracket, Left, SS	1
				13	2540201	Bracket, Right, SS	1

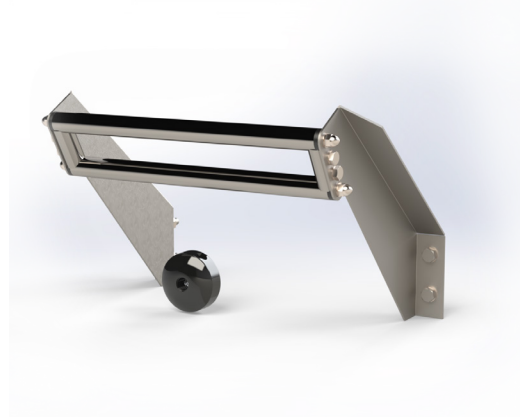
General Pump

1174 Northland Drive • Mendota Heights, MN 55120
Phone: 651.686.2199 • Fax: 800.535.1745

www.generalpump.com • email: sales@gpcompanies.com

Ref 301088 Rev. A
09-21

STAINLESS STEEL INDUSTRIAL HOSE REEL HOSE GUIDE KIT



2100462SS
2100463SS
2100503SS

- For use with GP'S DHRA Series Hose Reels
- Protects hose when pulled out or at an angle
- Stainless steel construction
- Corrosion resistant stainless steel hardware
- 4-way enclosed pinch-proof stainless steel guides
- Use in tight locations where sharp edges may damage hose

Instruction Manual

Ref 301088 Rev. A
09-21



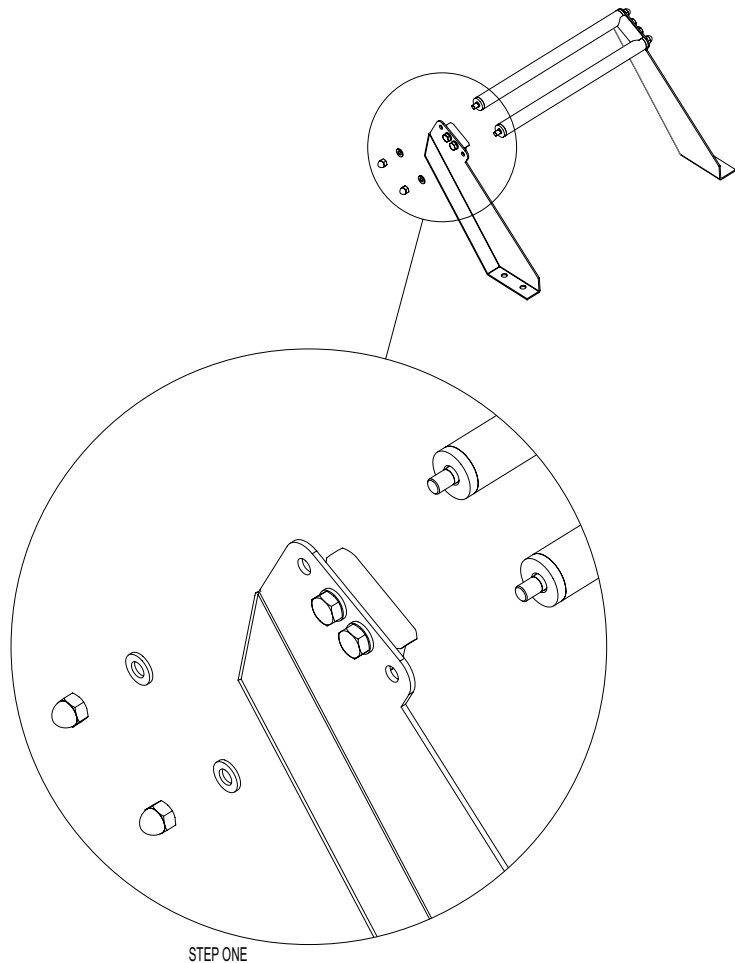
General Pump
is a member of
The Interpump Group



ASSEMBLY INSTRUCTIONS

NOTE: All hardware is stainless steel. A little oil or anti-seize on the threads will help prevent galling.

Step 1: Assemble left and right brackets to horizontal guides as shown.



Step 1: Assemble left and right brackets to hose reel frame as shown.

