

BIKLEENER®

The
Original



Model #2100473

- Recommended for units with pressures of 2000 to 3500 PSI
- Quick connect to pressure washer wand
- 2 (1.5x60) nozzles for a wide cleaning path
- Upright operation saves back strain and fatigue
- Consistent 10 - 12" even cleaning path
- Cleaned area is easy to see and review
- Disconnects in a snap for easy storage
- **COMMERCIAL GRADE - FIELD TESTED FOR 3 YEARS**



OPERATOR'S MANUAL

WARNING: Using a pressure washer involves water under intense pressure. Never point the water stream towards anyone and do not get any body parts near stream as it could cause serious injury

1. **CONNECTING TO PRESSURE WASHER WAND**

Utilizing the quick connect fitting on the hand wand of the unit, connect directly onto the top of the BIKLEENER male fitting.

2. **SETTING THE HEIGHT ADJUSTERS**

Pushing the metal tab, release the bar so that settings are possible. The lower the setting, the closer the unit will be to the ground, increasing the velocity of water and increasing the cleaning power. By raising, it decreases the velocity thereby creating a “gentler” stream for painted surfaces.

3. **UTILIZING THE BIKLEENER TO ITS MAXIMUM CLEANING POWER**

The unit is designed to be best used at approximately a 30 degree angle to push the dirt and grime away from the user. There are two methods found effective. The first is using the unit in a “vacuum cleaning” motion, and the other is to roll the unit in a straight line in a slow and deliberate manner. Each method has been found to be effective.

4. **MISCELLANEOUS USES**

Cleaning street curbs, decks, docks, painted porches or even 90 degree curbs can be cleaned utilizing the BIKLEENER. Simply adjust settings as desired.

5. **MAINTENANCE**

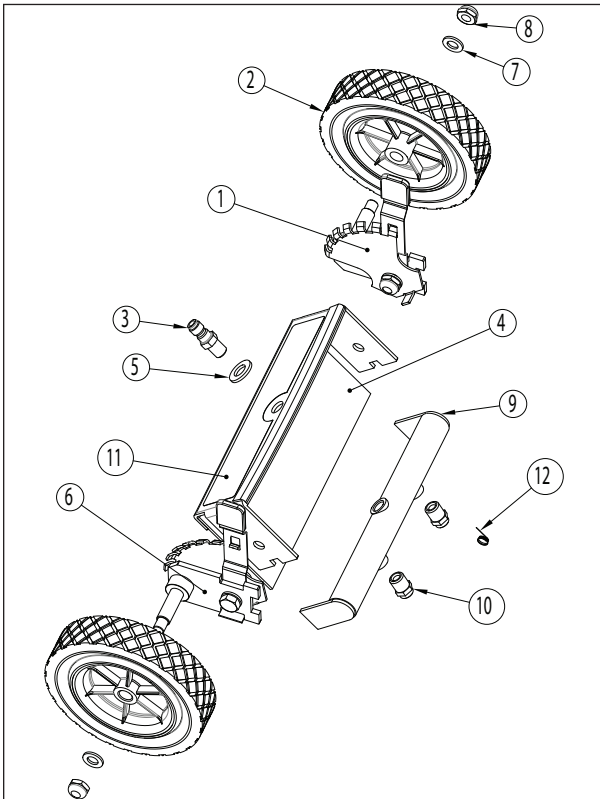


It is recommended user washes debris from unit thoroughly after each use. Thoroughly rinse and lubricate fittings after use.

OTHER SAFETY PRECAUTIONS

1. **ALWAYS** have unit turned off when adjusting unit in any manner.
2. **NEVER** attempt to adjust nozzle spray patterns when unit is engaged.
3. After completing the cleaning job, and pressure washer unit is turned off, pull trigger in your hand wand in order to release pressure **BEFORE** disconnecting the BIKLEENER®.

PARTS LIST



ITEM NO.	PART NO.	DESCRIPTION	QTY.
1	2103304	PAWL ASSY., LEFT	1
2	2700018	WHEEL, 6"	2
3	2530094	CONNECTOR, MALE, 1/4	1
4	2103302	FRAME ASSY.	1
5	2203412	FLAT WASHER, M12	1
6	2103303	PAWL ASSY., RIGHT	1
7	2200008	WASHER, FLAT, M10	2
8	2200033	NUT, M10	2
9	2520147	MANIFOLD	1
10	D960015M	NOZZLE, 60° X 1.5	2
11	2400162	LABEL, WATER BROOM	1
12	2800004	UNCLOGGER, NOZZLE	1
	2100510	NOZZLE REPAIR KIT (2) D960015M,	
	2100511	FLAPS & RIVETS REPAIR KIT	

BIKLEENER® NOZZLE CHART

Nozzle Size	PSI (Pounds Per Square Inch)							
	1750	2000	2250	2500	2750	3000	3250	3500
2.5	1.32	1.41	1.50	1.98	2.07	2.17	2.25	2.34
3	1.65	1.77	1.88	2.37	2.49	2.60	2.70	2.81
3.5	1.98	2.12	2.25	2.77	2.90	3.03	3.15	3.27

Step 1: Find your pressure washer PSI rating on the table above.

Step 2: Find your GPM in the column of your PSI.

Nozzles can be purchased at most Pressure Wash dealers or aftermarket dealers

**FOR MORE INFORMATION, OR TO VIEW AN INSTRUCTIONAL VIDEO,
VISIT www.getkleener.com**

DIMENSIONAL DRAWINGS

