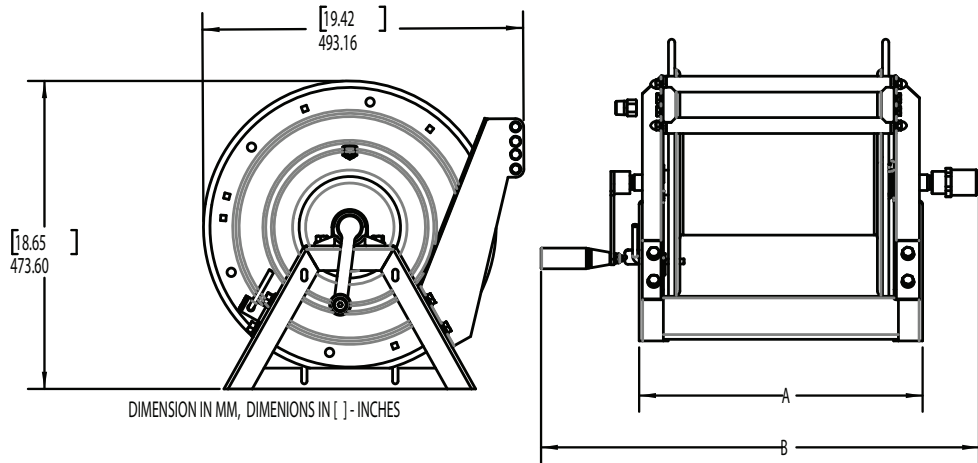


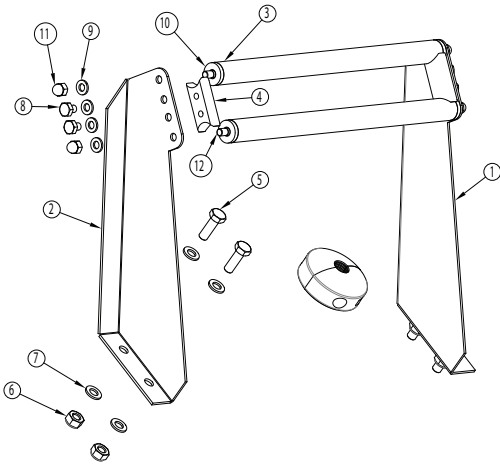
DIMENSIONS



DIMENSION IN MM, DIMENSIONS IN [] - INCHES

	A		B	
	MM	INCHES	MM	INCHES
DHRA50150	315	12.4	557	22
DHRA50300	445	17.5	687.5	27.1
DHRA50450	585	23	827.5	32.6

EXPLODED VIEW AND PARTS



Pos.	Part #	Description	QTY
1	2540106	BRACKET, LEFT	1
2	2540107	BRACKET, RIGHT	1
3	2550200	GUIDE, HORIZONTAL, DHRA50300	2
	2550199	GUIDE, HORIZONTAL, DHRA50150	
	2550216	GUIDE, HORIZONTAL, DHRA50450	
4	2520141	GUIDE, VERTICAL	2
5	2200088	HHCS, M10 X 1.5	4
6	2203017	NUT, M10, NYLOK, SST	4
7	2203413	WASHER, FLAT, M10	8
8	2200109	HHCS, M8 X 1.25 X 10 SST	4
9	2200013	WASHER, M8, SS	8
10	2660321	BUSHING	4
11	2203020	NUT, ACORN, M8	4
	2520143	AXIS, ROLLER, DHRA50300	
	2520142	AXIS, ROLLER, DHRA50150	
	2520151	AXIS, ROLLER, DHRA50450	
13	2100528	CLAMP, HOSE, 3/8	1

General Pump

1174 Northland Drive • Mendota Heights, MN 55120

Phone: 651.686.2199 • Fax: 800.535.1745

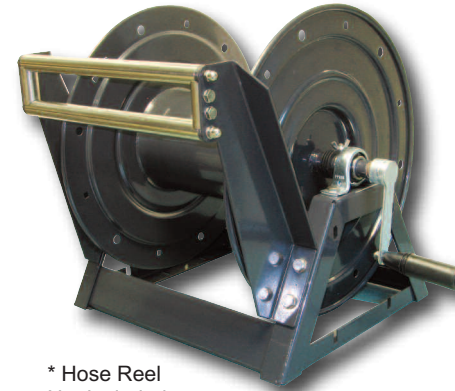
www.generalpump.com • email: sales@gpcompanies.com

Ref 310041 Rev. A

07-17

INDUSTRIAL HOSE REEL HOSE GUIDE KIT

From General Pump



* Hose Reel
Not Included

2100462
2100463
2100503

- For use with GP'S DHRA50150 (2100462), DHRA50300 (2100463) and DHRA50450 (2100503)
- Protects hose when pulled out or at an angle
- Durable powder coated steel construction
- Corrosion resistant stainless steel hardware
- 4-way enclosed pinch-proof stainless steel guides
- Use in tight locations where sharp edges may damage hose

Instruction Manual

Ref 310041 Rev. A
07-17



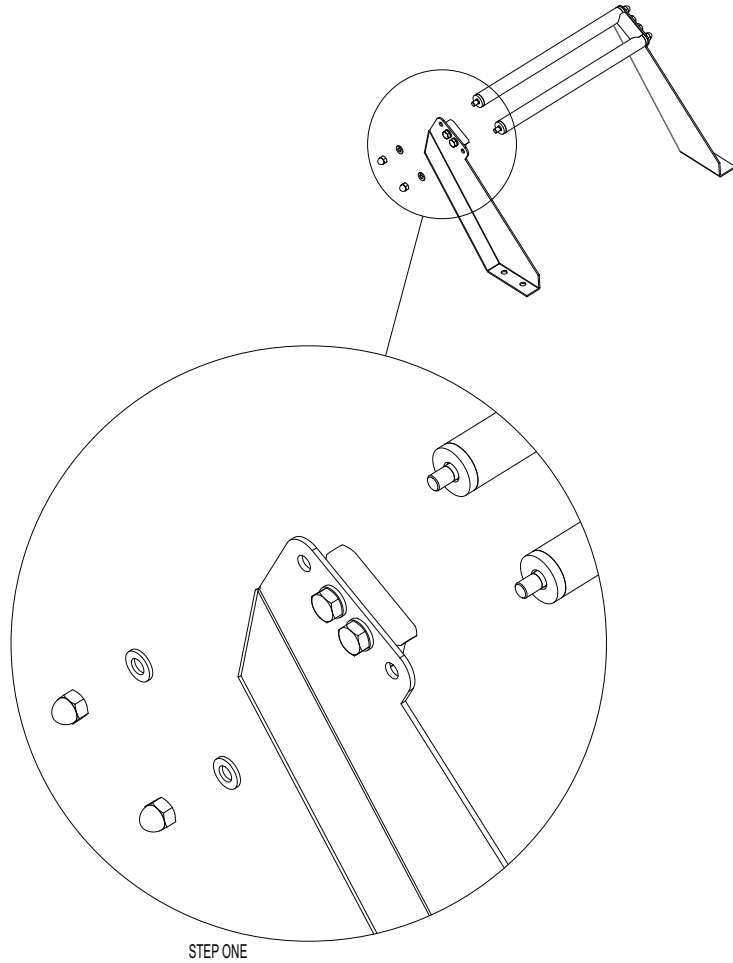
General Pump
is a member of
The Interpump Group



ASSEMBLY INSTRUCTIONS

NOTE: All hardware is stainless steel. A little oil or anti-seize on the threads will help prevent galling.

Step 1: Assemble left and right brackets to horizontal guides as shown.



Step 1: Assemble left and right brackets to hose reel frame as shown.

