

SAFETY PRECAUTIONS

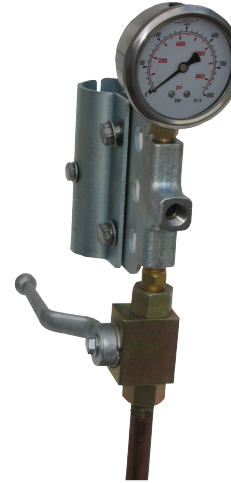
1. Make sure incoming pressure does not exceed the rated pressure.
2. Use proper eye protection when assembling and using the hose reel.
3. Assemble the hose reel on a clean workbench free of debris and moisture.
4. Use soap and water when checking for air leaks.
5. Keep children away from work area.

WARNING!

Exposure of skin directly to pressurized air or fluids could result in severe bodily injury!

Ref 301099 Rev. A
11-21

General Pump
1174 Northland Drive • Mendota Heights, MN 55120
Phone: 651.686.2199 • Fax: 800.535.1745
www.generalpump.com • email: sales@gpcompanies.com



- **FULL FLOW BALL VALVE**
- **GLYCERINE FILLED GAUGE**
- **5,000 PSI**
- **1/4" NPT-F INLET**
- **1/4" NPT-F OUTLET**
- **SOLID STEEL CONSTRUCTION**
- **NOZZLES INCLUDED**

BALL VALVE AND GAUGE KIT

FROM GENERAL PUMP

2100012

OPERATOR'S MANUAL

Ref 301099 Rev. A
11-21



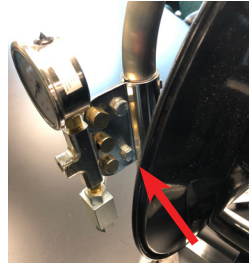
General Pump
is a member of
The Interpump Group



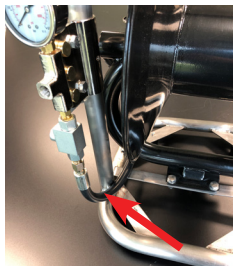
ASSEMBLY INSTRUCTIONS



1. Wrap manifold bracket around handle interlocking ears on bracket.



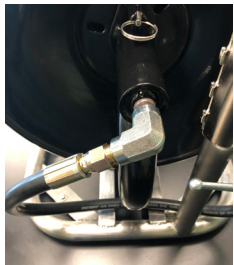
2. Secure manifold bracket with (2) M8 nuts and bolts.



3. Attach hose assembly with 1/4" NPT-M connection to ball valve



4. Attach 90° elbow (3/8"NPT-F x 3/8"NPT-F) to inlet fitting. Be sure elbow is clocked as shown (approximately 315° from post)

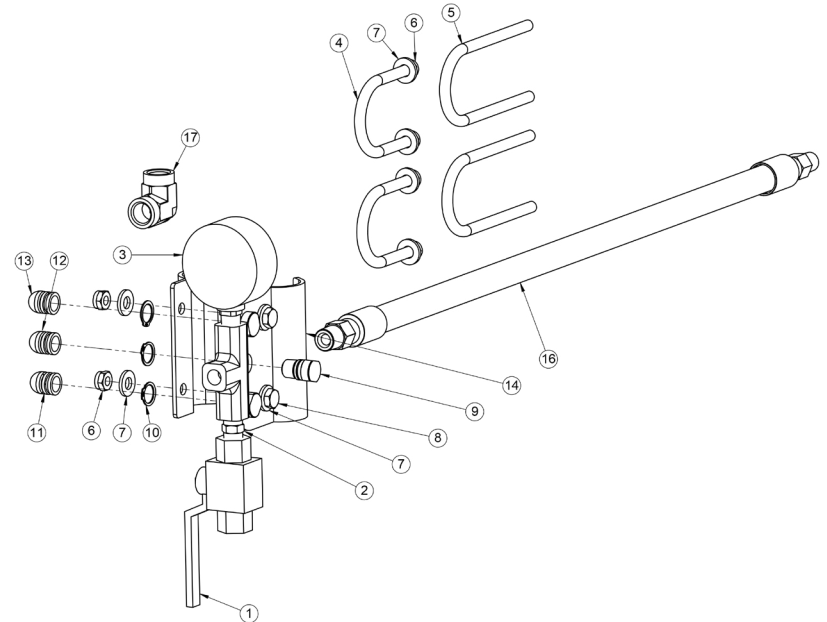
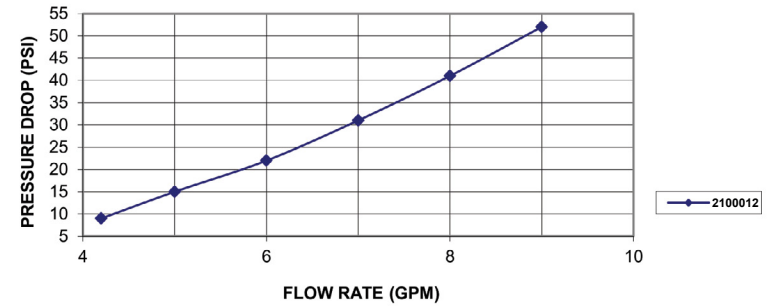


5. Attach hose assembly with 3/8"NPT-M connection to ball valve



6. Ball valve and gauge kit is now ready for operation

PRESSURE DROP: KIT,2100012



2100012 HARDWARE KIT PARTS LIST

No.	Part No.	Description	Qty.
1	2103114	Valve	1
2	D10014	Fitting, Nipple	1
3	2320000	Gage, Pressure	1
4	2200090	Clamp, U	2
5	2200089	Clamp, U	2
6	2200012	Nut, M8x1.25	6
7	2200044	Washer, M8x18.80x2.3	8
8	2200030	Bolt, M8x25, Zinc Plated	2

No.	Part No.	Description	QTY
9	2530096	Plug, 1/4NPT-M	3
10	2520029	Snap Ring	3
11	SJN0301F6B1	Nozzle, #3.0, 1 Front, 6 Rear	3
12	SJN0300F3B1	Nozzle, #3.0, 6 Rear	1
13	SJN0301F3B1	Nozzle, #3.0, 1 Front, 3 Rear	1
14	2103154	Assy, Sub, Tee/Bracket	1
15	2540188	Clamp, Valve	1
16	2103153	Assy, Hose, 3/8NPT-M x 1/4NPT-M	1
17	D10140	Fitting, 90 Degree	1