

**GENERAL PUMP** *A member of the Interpump Group***100993 / 101070****Safety Relief Valves - Stainless Steel****FEATURES/BENEFITS**

- High pressure safety valve
- Two versions available: 500 - 3500 PSI relief pressure (100993) and 2500 - 6000 PSI (101070)
- Less “whistling” and chatter than competing brands
- Highly accurate over full range of pressures
- Fits any brand of pump
- Designed and produced in the USA
- Can be pre-set; ask your GP representative
- Housing is 316 Stainless Steel (thermoplastic poppet)

**SPECIFICATIONS**

	<b>100993</b>	<b>101070</b>
Maximum Volume	6 GPM	
Maximum Relief Pressure	500 - 3,500 PSI	2500 - 6,000 PSI
Maximum Temperature	32 - 150° F	
Discharge	1/4" NPT End	
Inlet	3/8" NPT	
Dimensions	3.7" L x 7/8" HEX	
Weight	0.4 lbs.	

The “Acceptable Flow Table” to the right applies to 100993 only.

	2.75 GPM	3 GPM	4.25 GPM	5.25 GPM	6 GPM
500 PSI	NOT RECOMMENDED				
1000 PSI	FOR USE IN THIS				
1500 PSI	RANGE				
2000 PSI					
2500 PSI					



General Pump  
is a member of  
the Interpump Group



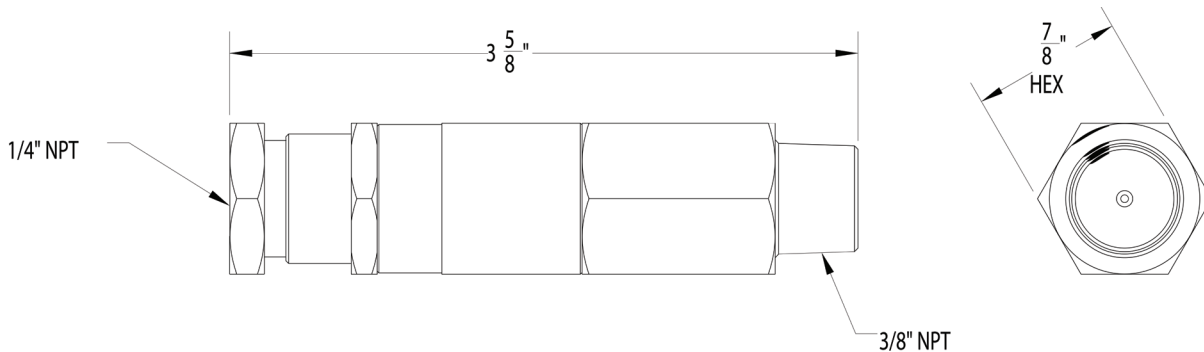
Ref 300993 Rev. B  
05-19



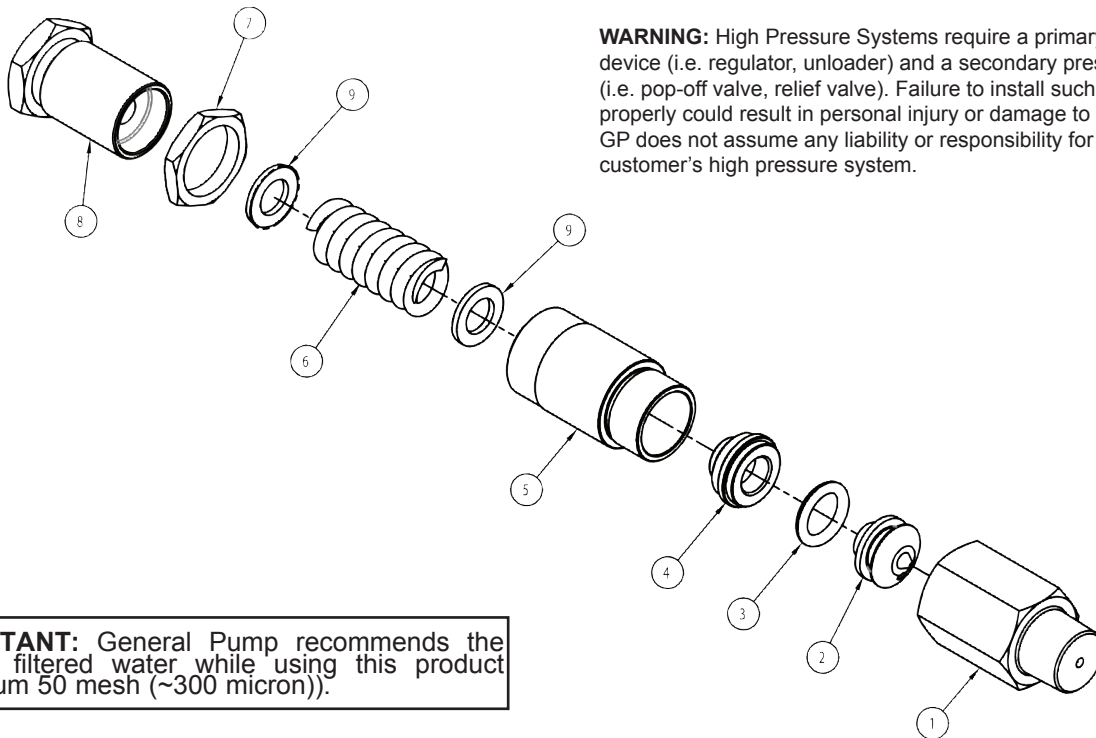
# 100993 / 101070

Safety Relief Valves - Stainless Steel

## DIMENSIONS



## PARTS LIST



**WARNING:** High Pressure Systems require a primary pressure regulating device (i.e. regulator, unloader) and a secondary pressure relief device (i.e. pop-off valve, relief valve). Failure to install such relief devices properly could result in personal injury or damage to pump or property. GP does not assume any liability or responsibility for the operation of a customer's high pressure system.

**IMPORTANT:** General Pump recommends the use of filtered water while using this product (minimum 50 mesh (~300 micron)).

No.	Part No.	Description	Qty.
1	520356	Body, Safety Relief Valve, 3/8" NPT, 316 SS	1
2	660241	Poppet, SRV, White, Drilled at 0.096"	1
3	701111	O-ring, .424 ID x .103 CS	1
4	520358	Piston Guide/Stop, Safety Relief Valve, 316 SS	1
5	520357	Housing, Spring, Safety Relief Valve, 316 SS	1
6	720037	Spring, .600 OD x 1.35 FL (101070)	1
	720065	Spring, .600 OD x 1.50 FL (100993)	1
7	520360	Locknut, SRV, 316 SS	1
8	520359	Screw, adjustment, 1/4 NPT, 316 SS	1
9	520040	Washer, Spacer, SRV Poppet (101070)	2
		No Washer (100993)	

