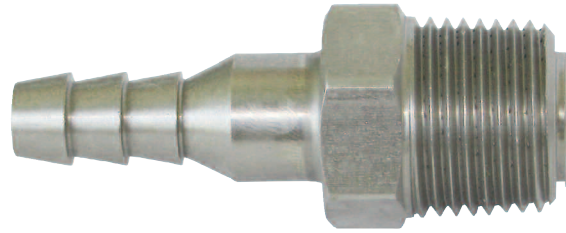


100970

Easy Start Valve

GENERAL PUMP *A member of the Interpump Group*



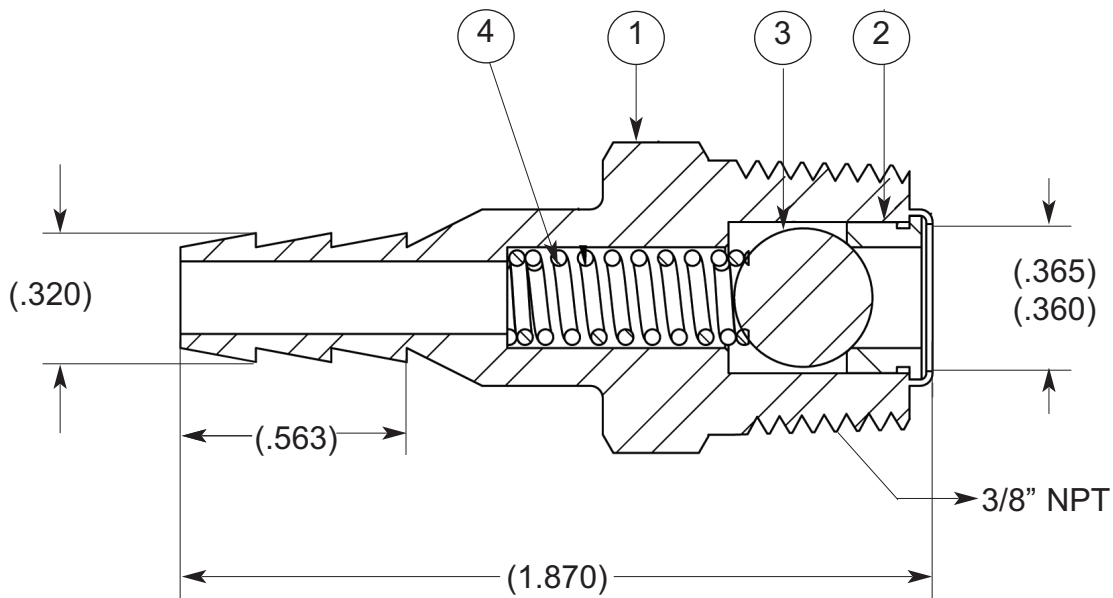
FEATURES/BENEFITS

- Maximum working pressure: 5000 PSI
- Eases system start-up. Especially useful for engine-driven pressure washers
- Fits any brand pump
- All Stainless Steel Construction
- Designed and made in the USA
- Long-life construction
- Improved seal design limits leaks
- Not re-buildable

SPECIFICATIONS

Flow	8.0 GPM
Maximum Relief Pressure	5000 PSI
Maximum Temperature	195° F
Inlet	3/8" NPT-M
Outlet	1/4" Hose Barb
Weight	0.25 lbs.

PARTS LIST



Item	Part #	Description	QTY.
1	520280	Body, EZ Start Valve	1
2	520281	Seat, Check Ball, EZ Start	1
3	520083	Ball, 440C, 11/32 DIA., SST	1
4	720056	Spring, Compression, SST	1

Ref 300799 Rev. A
02-11