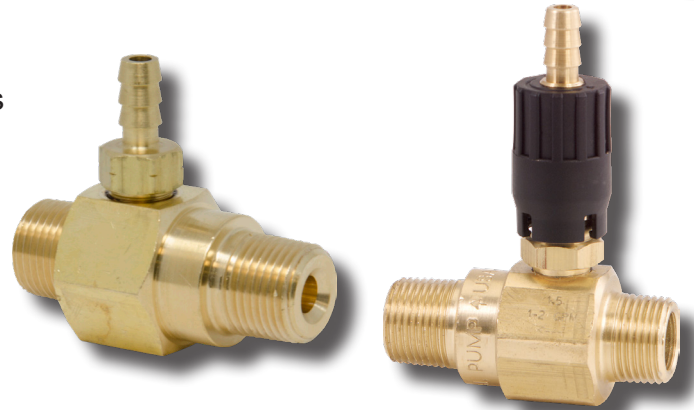


FEATURES

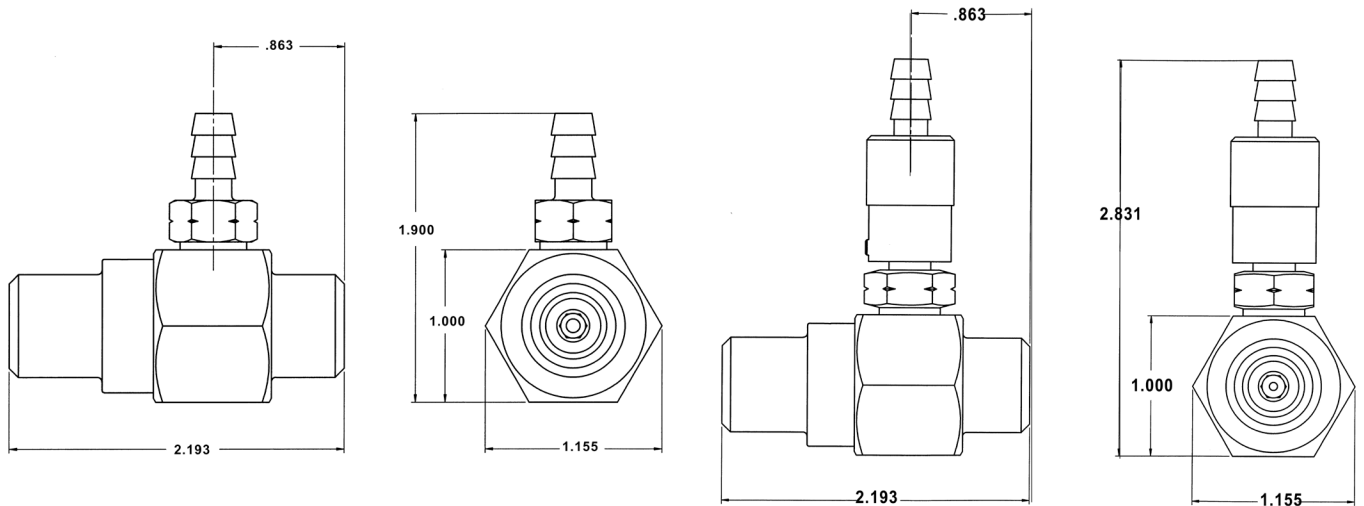
- Up to a 20% injection draw rate
- Available with both fixed and adjustable barbs
- Made in the USA
- A cost effective solution to your chemical application needs
- Features a ceramic check ball suitable for acid applications



SPECIFICATIONS

Model	100947	100948	100949	100950	100827	100828	100829	100830
Style	Fixed				Adjustable			
Operating Pressure	4500 PSI							
Flow Range	1-2 GPM	2-3 GPM	3-5 GPM	5-8 GPM	1-2 GPM	2-3 GPM	3-5 GPM	5-8 GPM
Port Sizes	Inlet:	3/8" NPT-M						
	Outlet:	3/8" NPT-M						
	Chemical Port:	1/4" Hose Barb						
Max Temp	190° F							
Dimensions	2.2" x 1.15" 1.9"				2.2" x 1.15" x 2.83"			
Weight	.2 lb.							
Materials	Brass, Stainless Steel, Viton, Ceramic							

DIMENSIONS



General Pump is a member of the Interpump Group



INSTALLATION

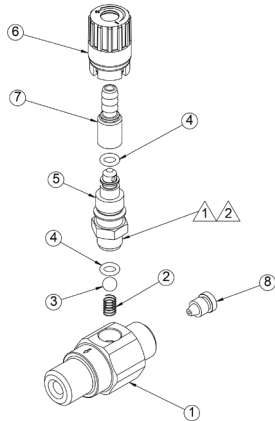
This product is to be used with clean, fresh water. For different or corrosive liquids, contact GP Technical Service Department. With not clean liquids, appropriate filtration should be installed. Select the injector based on the nominal operating rating: system rated pressure, max flow and max temperature. Install valve with direction arrow pointing downstream. For proper operation a control device such as a dual lance wand, quick couple nozzles, or an adjustable nozzle holder must be used to lower the system pressure at the nozzle. Under no circumstances should the pressure of the system exceed the maximum rated pressure of any component.

TROUBLESHOOTING

PROBLEM	CAUSE	SOLUTION
Injector will not draw liquid	Incorrect nozzle System is not in low pressure mode Discharge hose is too long Chemical line is clogged	Check and change nozzle Change or adjust nozzle to put system in low pressure mode Reduce length of discharge hose or change injector* Clear chemical line of obstruction
Rate of draw seems too slow	Discharge hose is too long Air leak in chemical line Chemical is too viscous	Reduce length of discharge hose or change injector* Locate and repair leak Reduce chemical with water to decrease its viscosity
Chemical injector is leaking from hose barb	Obstruction in hose barb checkvalve Damaged o-ring in checkvalve	Disassemble and remove obstruction Remove and replace o-ring
Excessive pressure load on pump, motor or engine	Clogged injector Improperly sized injector orifice	Clear injector orifice of obstruction Change orifice*

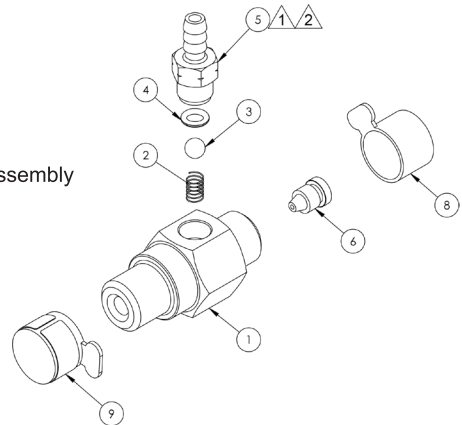
*Contact GP Technical Service for Assistance

PARTS LIST



① Apply Loc-tite® 545 to threads for re-assembly

② Torque to 60 in/lbs for re-assembly



Item	Part Number	Description	QTY.
KIT *	100804	Repair Kit	1
1	510340	Housing, Injector	1
2*	720049	Spring	1
3*	640065	Ball, Injector, Ceramic	1
4*	701501	O-ring, 70 Duro, Viton, .208x.070	2
5	510413	Post, Adj. Hose Barb	1
6	660166	Knob	1
7	510412	Hose Barb, Brass	
8	520147	Nozzle, .057, 303 SS (100827)	1
	520116	Nozzle, .070, 303 SS (100828)	1
	520115	Nozzle, .083, 303 SS (100829)	1
	520127	Nozzle, .091, 303 SS (100830)	1

Item	Part Number	Description	QTY.
KIT *	100804	Repair Kit	1
1	501340	Housing, Injector	1
2*	720049	Spring	1
3*	640065	Ball, 1/4", Ceramic	1
4*	701501	O-ring, 70 Duro, Viton, .208x.070	1
5	510341	Hose Barb, Brass	1
6	520147	Nozzle, .057 in., 303SS (100947)	
	520116	Nozzle, .070, 303 SS (100948)	1
	520115	Nozzle, .083, 303 SS (100949)	1
	520127	Nozzle, .091, 303 SS (100950)	1