

**SPECIFICATIONS**

Part Number:	100892	
Operating Pressure Range:	750 - 2000 PSI	
Maximum Pressure:	2000 PSI	
Maximum Flow:	5.0 GPM	
Temperature:	190° F	
Port Sizes:	Inlet	3/8" NPT-F
	Bypass	1/4" NPT-F
Dimensions:	5.6" (nom) x 1.6"	
Weight:	2.0 lbs.	
Material:	Brass, Stainless Steel, Viton, Nickel-plated Brass	

FEATURES

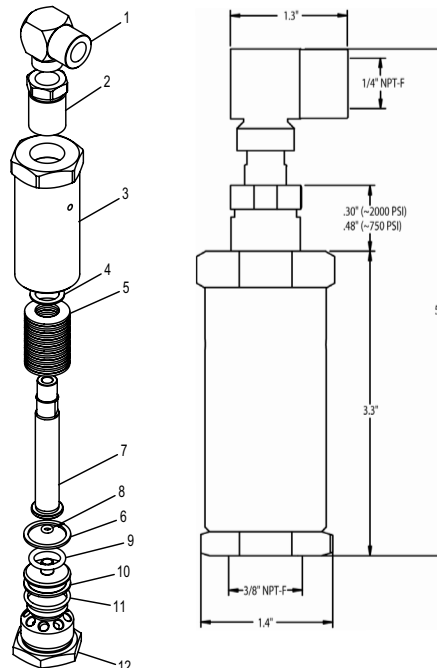
- **Accuracy** - Maintains pressure to within 5% of setting - even with multiple guns!
- **Dual Function** - Regulates pressure and absorbs pulsation in the system
- **Simplicity** - The dual function often eliminates the need for an accumulator
- **High Operating Temperature** - to 190° F

APPLICATIONS

- Full and self-service vehicle wash
- Power washing
- Multiple drop, multiple gun installations
- Hydrostatic testing
- Most applications where discharge volume is fixed

DIMENSIONS

Pos.	Part No.	Description	QTY.
1	510380	Elbow	1
2	510381	Brass Fitting	1
3	510393	Nickel-plate Brass Body	1
4	203409	Washer	1
5	203410	Spring Washer	16
6	660153	Back-up Ring	1
7	520184	Shaft	1
8	701065	O-ring	1
9	701116BV	O-ring	1
10	520185	Poppet	1
11	701087	O-ring	1
12	520186	Inlet Fitting	1



Note:
Proper adjustment requires 10% of total system flow be discharged through the QR2000.

Examples:
5 GPM system should bypass .5 GPM.



General Pump
is a member of
the Interpump Group

