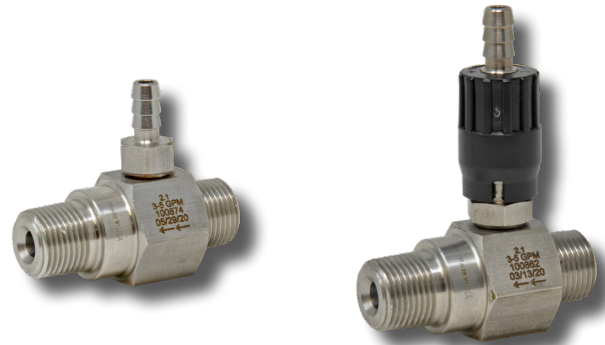


### FEATURES

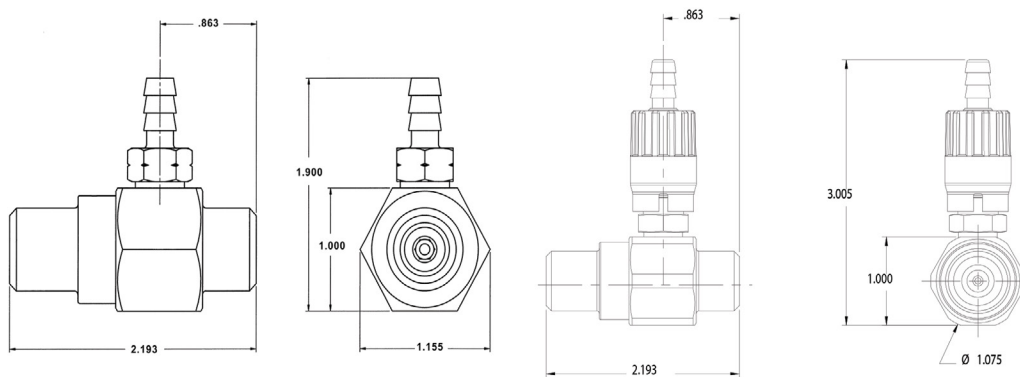
- Up to 20% injection draw rate
- Available with both fixed and adjustable barbs
- Made in the USA
- A cost effective solution to your chemical application needs



### SPECIFICATIONS

Model	100873	100874	100875	100861	100862	100863
Style	Fixed			Adjustable		
Operating Pressure	5,000 PSI					
Flow Range	2-3 GPM	3-5 GPM	5-8 GPM	2-3 GPM	3-5 GPM	5-8 GPM
Port Size	Inlet: 3/8" NPT-M Discharge: 3/8" NPT-M Chemical Port: 1/4" Hose Barb					
Max Temp	190° F					
Dimensions	2.2" x 1.15" x 1.9"			2.2" x 1.07" x 3.0"		
Weight	.2 lb					
Materials	Stainless Steel, Viton					

### DIMENSIONS



**WARNING: High Pressure Systems require a primary pressure regulating device (i.e. regulator, unloader) and a secondary pressure relief device (i.e. pop-off valve, relief valve). Failure to install such relief devices properly could result in personal injury or damage to pump or property. GP does not assume any liability or responsibility for the operation of the user's high pressure system.**



WARNING: This product can expose you to chemicals including lead, which is known to the state of California to cause cancer and birth defects or other reproductive harm. For more information, go to [www.P65Warnings.ca.gov](http://www.P65Warnings.ca.gov)

# Hi-Draw Injectors

**GENERAL PUMP** *A member of the Interpump Group*

## INSTALLATION

This product is to be used with clean, fresh water. For different or corrosive liquids, contact GP Technical Service Department. With not clean liquids, appropriate filtration should be installed. Select the injector based on the nominal operating rating: system rated pressure, max flow and max temperature. Install valve with direction arrow pointing downstream. For proper operation a control device such as a dual lance wand, quick couple nozzles, or an adjustable nozzle holder must be used to lower the system pressure at the nozzle.

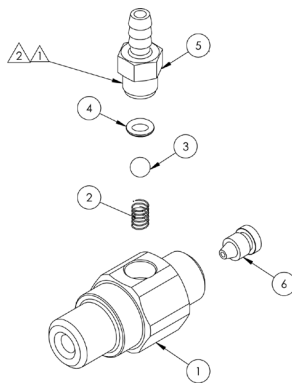
Under no circumstances should the pressure of the system exceed the maximum rated pressure of any component.

## TROUBLESHOOTING

PROBLEM	CAUSE	SOLUTION
Injector will not draw liquid	Incorrect nozzle System is not in low pressure mode  Discharge hose is too long  Chemical line is clogged	Check and change nozzle Change or adjust nozzle to put system in low pressure mode Reduce length of discharge hose or change injector* Clear chemical line of obstruction
Rate of draw seems too slow	Discharge hose is too long  Air leak in chemical line Chemical is too viscous	Reduce length of discharge hose or change injector* Locate and repair leak Reduce chemical with water to decrease its viscosity
Chemical injector is leaking from hose barb	Obstruction in hose barb checkvalve  Damaged o-ring in checkvalve	Disassemble and remove obstruction Remove and replace o-ring
Excessive pressure load on pump, motor or engine	Clogged injector Improperly sized injector orifice	Clear injector orifice of obstruction Change orifice*

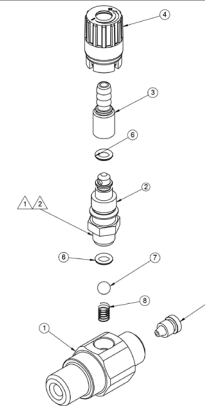
\*Contact GP Technical Service for Assistance

## PARTS LIST



▲ Apply Loc-tite® 242 to threads for re-assembly

▲ Torque to 60 in/lbs for re-assembly



No.	Part No.	Description	Qty.
1	520180	Housing, Injector, SS	1
2*†	720049	Spring	1
3*	520167	Ball, Injector, 316 SS	1
†	640065	Ball, Injector, Ceramic (optional)	1
4*†	701501	O-ring, 70 Duro Viton, .208x.070	1
5	520181	Hose Barb, SS	1
6	520116	Nozzle, .070, 303 SS (100873)	1
	520066	Nozzle, .083, 303 SS (100874)	1
	520065	Nozzle, .086, 303 SS (100875)	1
*	100803	Repair Kit	
†	100804	Repair Kit Acid (optional)	

No.	Part No.	Description	Qty.
1	520180	Housing, Injector, SS	1
2	520308	Post, Adjustable Hose Barb, 316SS	1
3	520177	Barb, Adj. Hose Barb, SS	1
4	660166	Knob, Adj. Hose Barb	1
5	520116	Nozzle, injector, .070 Dia, 303 SS (100861)	1
	520066	Nozzle, injector, .083 Dia, 303 SS (100862)	
	520065	Nozzle, injector, .086 Dia, 303 SS (100863)	
6*†	701501	O-ring, 70 Duro Viton, .208x.070	2
7*	520167	Ball, Injector, 316 SS	1
†	640065	Ball, Injector, Ceramic (optional)	
8*†	720049	Spring	1
*	100816	Repair Kit, Adj.	
†	100817	Repair Kit Acid, Adj. (optional)	