

## SPECIFICATIONS

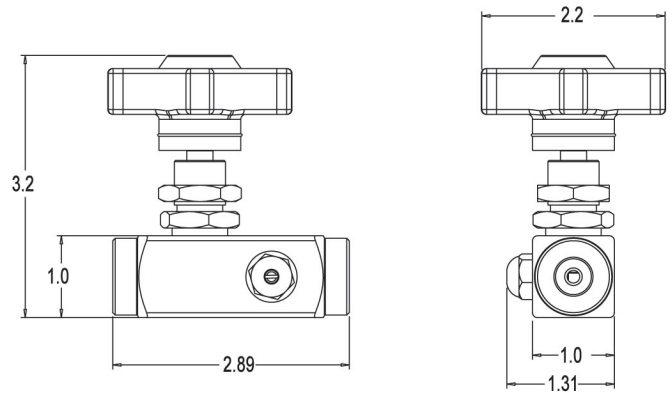
<b>Part Number</b>	<b>100838</b>	
Maximum Pressure	4000 PSI	
Maximum Flow	6.0 GPM	
Maximum Temperature	180°F	
Port Sizes:	Inlet	1/4" NPT-F
	Outlet	1/4" NPT-F
Dimensions	2.9 x 2.2 x 3.2	
Weight	.3 lb	
Materials	Brass, Stainless, Plastic, Viton, Teflon	



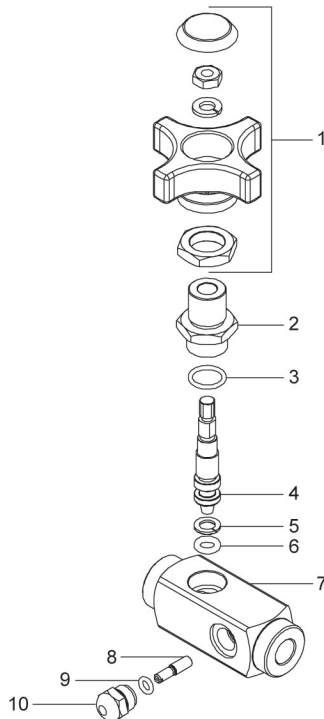
## FEATURES

- Adjustable from full flow to full close
- Full flow can be controlled with metering screw
- Durable, comfortable handle
- Can be panel mounted in any position
- Made in the USA

## DIMENSIONS



## PARTS LIST



Item	Part Number	Description	Qty
1	103068	Assy, Handle	1
2	510353	Housing, Stem	1
3	701077	O-ring	1
4	520169	Stem, Needle Valve	1
5	660141	Anti-Ext Ring	1
6	701025	O-ring	1
7	510363	Body, Needle Valve	1
8	520173	Stem, Meetering Valve	1
9	701079	O-ring	1
10	510364	Body, Metering Valve	1

Ref 300514 Rev. B  
06-05