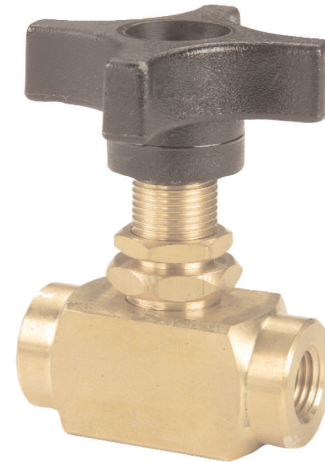


NEEDLE VALVE

Inline Adjustable Needle Valve

SPECIFICATIONS

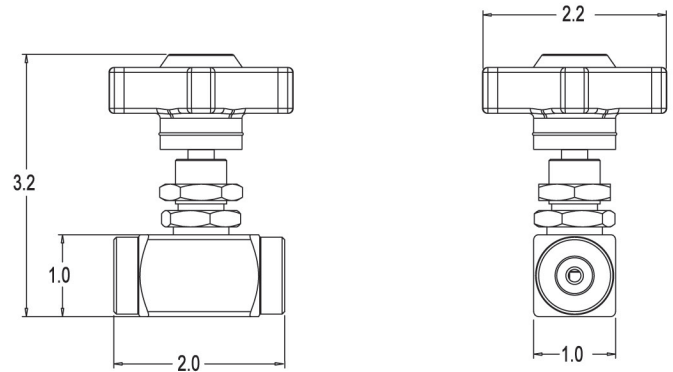
Part Number	100814	
Maximum Pressure	4000 PSI	
Maximum Flow	6.0 GPM	
Maximum Temperature	180°F	
Port Sizes:	Inlet	1/4" NPT-F
	Outlet	1/4" NPT-F
Dimensions	2.0 x 2.2 x 3.2	
Weight	.3 lb	
Materials	Brass, Stainless, Plastic, Viton, Teflon	



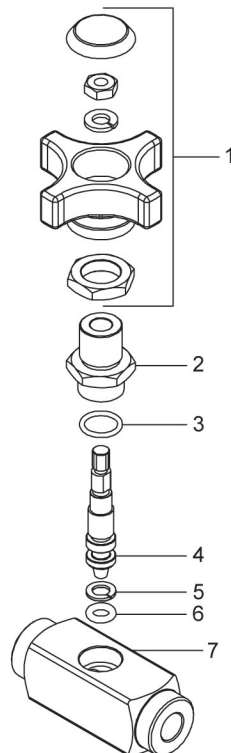
FEATURES

- Adjustable from full flow to full close
- Durable, comfortable handle
- Can be panel mounted in any position
- Made in the USA

DIMENSIONS



PARTS LIST



Item	Part Number	Description	Qty
1	103068	Assy, Handle	1
2	510353	Housing, Stem	1
3	701077	O-ring	1
4	520169	Stem, Needle Valve	1
5	660141	Anti-Ext Ring	1
6	701025	O-ring	1
7	510352	Body, Needle Valve	1

Ref 300513 Rev. B
06-05

