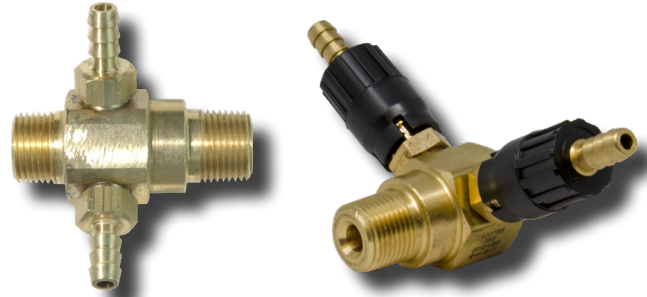


Dual Hi-Draw Injectors

Hi-Draw Downstream Chemical Injector - Dual

FEATURES

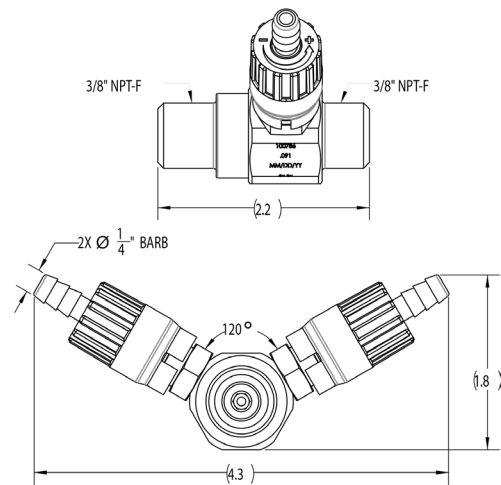
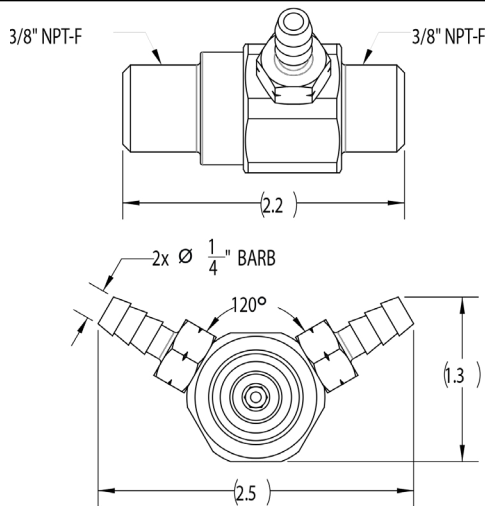
- Up to a 20% injection draw rate
- Available with both fixed and adjustable barbs
- Made in the USA
- A cost effective solution to your chemical application needs



SPECIFICATIONS

Model	100790	100791	100785	100786
Style	Fixed		Adjustable	
Operating Pressure	4500 PSI			
Flow Range	3 - 5 GPM			
Orifice Diameter	.083" (2.1 mm)	.091" (2.3 mm)	.083" (2.1 mm)	.091" (2.3 mm)
Port Sizes	Inlet:	3/8" NPT-M		
	Outlet:	3/8" NPT-M		
	Chemical Port:	(2) 1/4" Hose Barb		
Max Temp	190° F			
Dimensions	2.5" x 1.3" x 2.2"		4.3" x 1.8" x 2.2"	
Weight	.2 lb.			
Materials	Brass, Stainless Steel, Viton			

DIMENSIONS



WARNING: High Pressure Systems require a primary pressure regulating device (i.e. regulator, unloader) and a secondary pressure relief device (i.e. pop-off valve, relief valve). Failure to install such relief devices properly could result in personal injury or damage to pump or property. GP does not assume any liability or responsibility for the operation of the user's high pressure system.



WARNING: This product can expose you to chemicals including lead, which is known to the state of California to cause cancer and birth defects or other reproductive harm. For more information, go to www.P65Warnings.ca.gov



General Pump is a member of the Interpump Group



INSTALLATION

This product is to be used with clean, fresh water. For different or corrosive liquids, contact GP Technical Service Department. With not clean liquids, appropriate filtration should be installed. Select the injector based on the nominal operating rating: system rated pressure, max flow and max temperature. Install valve with direction arrow pointing downstream. For proper operation a control device such as a dual lance wand, quick couple nozzles, or an adjustable nozzle holder must be used to lower the system pressure at the nozzle.

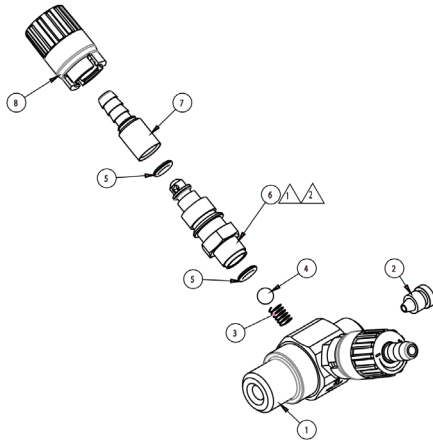
Under no circumstances should the pressure of the system exceed the maximum rated pressure of any component.

TROUBLESHOOTING

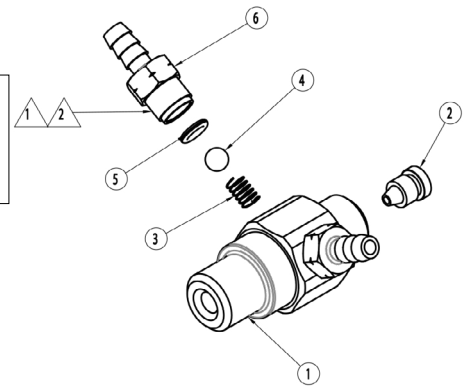
PROBLEM	CAUSE	SOLUTION
Injector will not draw liquid	Incorrect nozzle System is not in low pressure mode Discharge hose is too long Chemical line is clogged	Check and change nozzle Change or adjust nozzle to put system in low pressure mode Reduce length of discharge hose or change injector* Clear chemical line of obstruction
Rate of draw seems too slow	Discharge hose is too long Air leak in chemical line Chemical is too viscous	Reduce length of discharge hose or change injector* Locate and repair leak Reduce chemical with water to decrease its viscosity
Chemical injector is leaking from hose barb	Obstruction in hose barb checkvalve Damaged o-ring in checkvalve	Disassemble and remove obstruction Remove and replace o-ring
Excessive pressure load on pump, motor or engine	Clogged injector Improperly sized injector orifice	Clear injector orifice of obstruction Change orifice*

*Contact GP Technical Service for Assistance

PARTS LIST



1 Apply Loc-tite® 545 (p/n 800046) to threads for re-assembly
2 Torque to 60 in/lbs for re-assembly



Item	Part Number	Description	QTY.
KIT *	100803	Repair Kit (2 required)	1
KIT †	100804	Acid Kit (Optional) (2 required)	1
KIT #	101137	Repair Kit	1
1	510423	Housing, Injector	1
2	520115	Nozzle, .083, 303 SS (100785)	1
	520127	Nozzle, .091, 303 SS (100786)	1
3*†#	720049	Spring	2
4*#	520167	Ball, Injector, 316 SS	2
†	640065	Ball, Injector, Ceramic (Optional)	2
5*†#	701501	O-ring, 70 Duro, Viton, .208x.070	4
6#	510413	Post, Adj. Hose Barb	2
7#	510412	Hose Barb, Brass	2
8#	660166	Knob	2

Item	Part Number	Description	QTY.
KIT *	100803	Repair Kit (2 required)	1
KIT †	100804	Acid Kit (Optional) (2 required)	1
1	510423	Housing, Injector	1
2	520115	Nozzle, .083, 303 SS (100790)	1
	520127	Nozzle, .091, 303 SS (100791)	1
3*†	720049	Spring	2
4*	520167	Ball, Injector, 316 SS	2
†	640065	Ball, Injector, Ceramic (Optional)	2
5*†	701501	O-ring, 70 Duro, Viton, .208x.070	2
6	510341	Hose Barb, Brass	2