

GENERAL PUMP *A member of the Interpump Group*

Adjustable Injector

Quick Connect - SS Plug / SS Plug & Collar



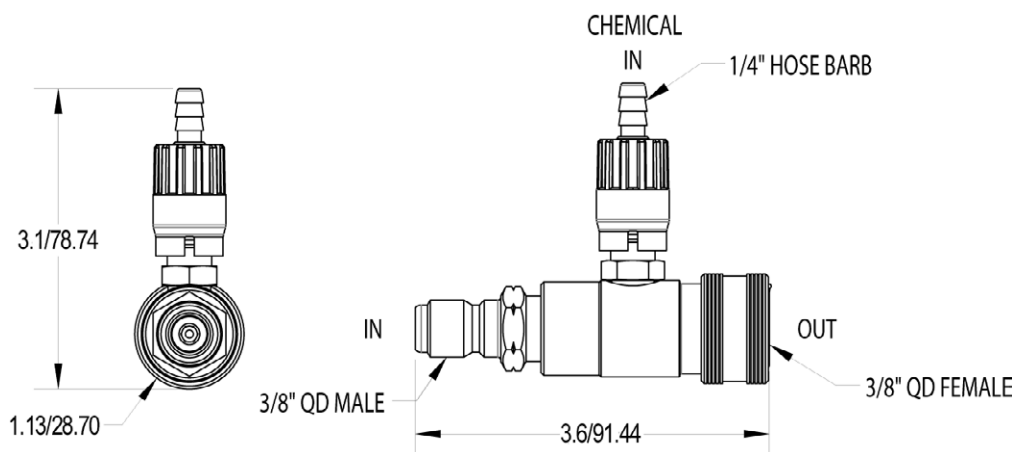
FEATURES

- Adjustable chemical draw rate
- Easy installation with quick disconnects
- Made in the USA
- Cost effective solution for chemical application

SPECIFICATIONS

Model	100653	100654	100655	100763	100764	100765
Style	Adjustable					
Pressure	3,500 PSI			4500 PSI		
Flow Range	2 - 3 GPM	3 - 5 GPM	5 - 8 GPM	2 - 3 GPM	3 - 5 GPM	5 - 8 GPM
Max Temp	190° F					
Inlet Port	3/8" M-QD					
Outlet Port	3/8" F-QD					
Chemical Port	1/4" Hose Barb					
Collar	Brass			Stainless Steel		
Dimensions	3.7" x 3.1" x 1.2"					
Weight	6.4 oz					
Materials	Brass, Stainless Steel, Viton, Nylon					

DIMENSIONAL DRAWING



General Pump is a
member of the
Interpump Group



Ref 310120 Rev. A
05-18



INSTALLATION

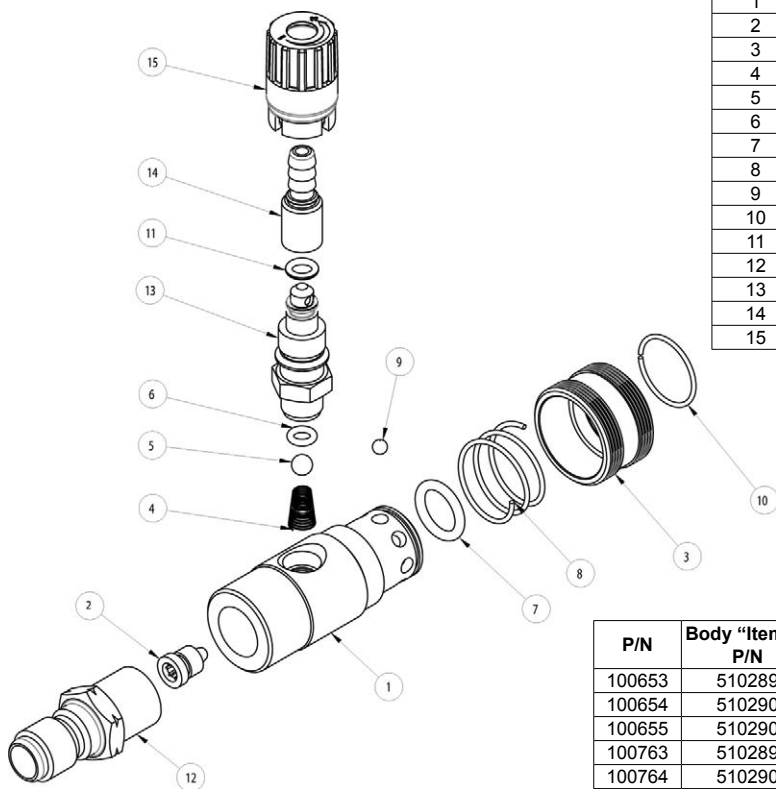
This product is to be used with clean, fresh water. For different or corrosive liquids, contact GP Technical Service Department. With not clean liquids, appropriate filtration should be installed. Select the injector based on the nominal operating rating; system rated pressure, max flow and max temperature. Install valve with direction arrow pointing downstream. For proper operation a control device such as a dual lance wand, quick couple nozzles, or an adjustable nozzle holder must be used to lower the system pressure at the nozzle. Under no circumstances should the pressure of the system exceed the maximum rated pressure of any component.

TROUBLESHOOTING

Problem	Cause	Solution
Chemical Injector will not draw Chemical	Incorrect nozzle System is not in low pressure mode Discharge hose is too long Chemical line is clogged	Check and change nozzle Change or adjust nozzle to put system in low pressure mode Reduce length of discharge hose or change injector* Clear chemical line of obstruction
Rate of draw seems too slow	Discharge hose is too long Air leak in chemical line Chemical is too viscous	Reduce length of discharge hose or change injector* Locate and repair leak Reduce chemical with water to decrease its viscosity
Chemical Injector is leaking from hose barb	Obstruction in hosebarb checkvalve Damaged o-ring in checkvalve	Disassemble and remove obstruction Remove and replace o-ring
Excessive pressure load on pump, motor or engine	Clogged injector Improperly sized injector orifice	Clear injector orifice of obstruction Change orifice*

*Contact GP Technical Service for Assistance

PARTS LIST



Item No.	Part Number	Description	Qty.
1	See Table	Housing, Injector	1
2	See Table	Nozzle, Injector	1
3	See Table	Collar, 3/8" QD	1
4	720040	Spring, Conical, .473FL., 316SS	1
5	520008	Ball, 7/32, 316SS	1
6	701008V	O-Ring, 70 Duro, Viton, .176ID x .070CS	1
7	701049	O-Ring, 70 Duro, Viton, .487ID x .103CS	1
8	720041	Spring, .920 OD, .62 FL, 320 SS	1
9	520117	Ball, 5/32, 440C	8
10	202031	Retaining Ring, .74 ID, .048 CS 302SS	1
11	701501	O-Ring, 70 DURO, Viton .208ID x .070CS	1
12	520136	Nipple, 3/8" QD x 3/8" NPT-M, 416SS, 4SST-3M	1
13	510413	Post, ADJ Hose Barb, High Draw, Brass	1
14	510412	Barb, Adj. Hose Barb, Brass	1
15	660166	Knob, Adj. Hose Barb	1

P/N	Body "Item 1" P/N	Body Thru Hole DIA	Nozzle "Item 2" P/N	Nozzle Orifice	Collar "Item 3" P/N
100653	510289	.098	520116	1.8 mm	510249
100654	510290	.116	520115	2.1 mm	510249
100655	510290	.116	520127	2.3 mm	510249
100763	510289	.098	520116	1.8 mm	520166
100764	510290	.116	520115	2.1 mm	520166
100765	510290	.116	520127	2.3 mm	520116