

GENERAL PUMP *A member of the Interpump Group*

Mobile Clutch

For 24mm Solid Shaft Pump

Typical Mobile Clutch - Water Pump Applications In typical water pump applications, the clutch is mounted on the input shaft of the water pump. Since the clutch has an integral pulley, a belt is used as the input to the clutch. This belt is normally driven directly from an electric motor or a gas/diesel engine. When there is no power to the clutch, the water pump does not engage; however when power is activated, the clutch drives the water pump to initiate water flow. In this application, the GP clutch is mounted directly to a General Pump by using an adapter plate.

Used in Carpet Cleaning, Texture Spray Machines, High Pressure Pump applications.



SPECIFICATIONS

Pulley Size & Type	7" - A Groove, 24mm Shaft	
Width	2.25"	
Torque After Burnishing	75 - 95 lbs.	
Power Requirement:	12V	47 Watts
	24V	45.6 Watts
Weight	8 lbs.	

Part Number	Description	
100687	Clutch w/Mounting Plate	47, 66 and 59(ES) Series, 12V, Dual Groove
100688	Clutch w/Mounting Plate	44, 50, 63 and 58(EP) Series, 12V, Dual Groove
100719	Clutch w/Mounting Plate	47, 66 and 59(ES) Series, 24V, Dual Groove
100720	Clutch w/Mounting Plate	44, 50, 63 and 58(EP) Series, 24V, Dual Groove
100717	Clutch w/Mounting Plate	47, 66 and 59(ES) Series, 12V, Single Groove
100718	Clutch w/Mounting Plate	44, 50, 63 and 58(EP) Series, 12V, Single Groove

Reasons for using an Electromagnetic Clutch

- Reduced horsepower consumption from the engine
- Less Cost
- Operator convenience
- Extended pump life
- Simple installation
- Cold weather starting

General Pump Mobile Clutch Design Advantages

- **Solid forged rotor.** A one-piece solid forged rotor means no chance of internal parts separation. They have an even wall thickness around the coil which gives optimum flux distribution, maximizing torque.
- **Different coil voltages available.** 12 volt is the most common; 24 volt clutches are also available.
- **High temperature, longer-life grease.** Our special long-life grease has shown a significant improvement in life over other standard high temp greases.
- **E-coating.** Where possible, all parts in the clutch are e-coated to give maximum corrosion protection.
- **High-temperature epoxy coil.** To help prevent failure from vibration and outside contaminants, all coils are sealed in the coil shell with a high-temperature epoxy coating.
- **Forged machined pulley.** All GP models use a heavy-duty machined pulley. A stronger pulley resists damage due to abusive environments.
- **Clutches are also available mounted on a General Pump. Please contact your sales representative.**

Mobile Clutch

For 24mm Solid Shaft Pump



DIMENSIONS

Fig. 1

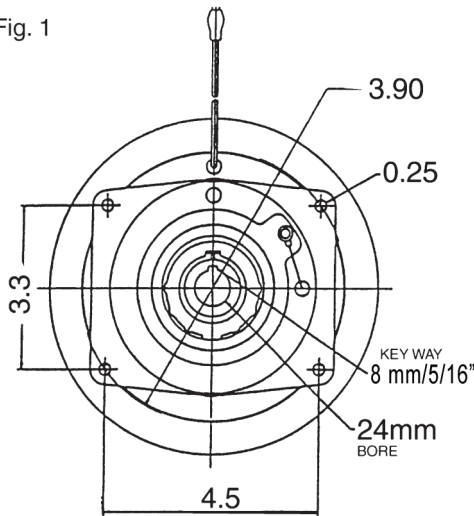


Fig. 2

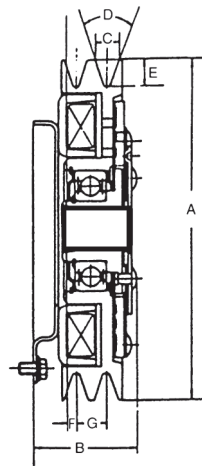
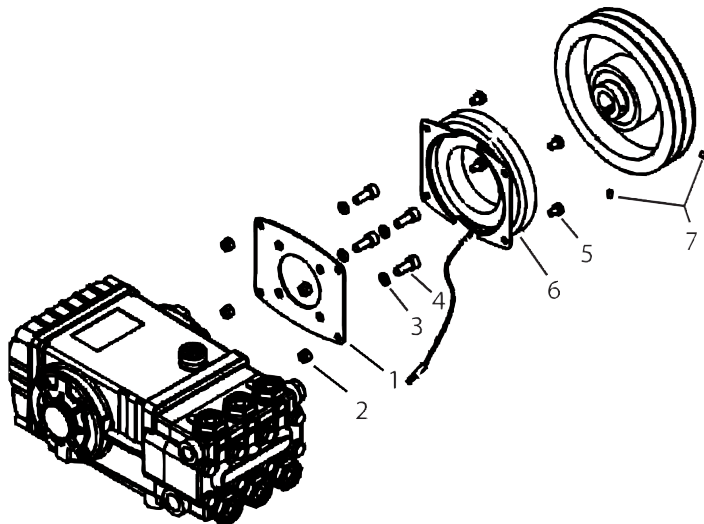


Fig. 2 Dimensions

A	7"
B	2.08"
C	0.5"
D	36 Deg.
E	0.56"
F	0.19"
G	0.62"

PARTS LIST



No.	Part No.	Description	Qty.
1	540047	Adapter Plate, 47, 59, 66 Series	1
	540048	Adapter Plate, 44, 50, 58, 63 Series	1
2	203201	Nut, Nylon	4
3	96701400	Washer, 47, 59, 66 Series	4
	203510	Washer, 44, 50, 58, 63 Series	4
4	200046	Socket, Capscrew, 47, 59, 66 Series	4
	200005	Socket, Capscrew, 44, 50, 58, 63 Series	4
5	201004	Socket, Capscrew	4
6	103053	Clutch, 2-groove, 12V	1
	103054	Clutch, 2-groove, 24V	1
	103048	Clutch, 1-groove, 12V	1
7	200051	Set Screw, Knurled Cup Point, M5 x .8 x 6mm	2
**	100163	OPTIONAL Clutch Alignment Tool	

**** Clutch Coil must be mounted concentric to Pump Shaft to avoid damage. Utilize optional tool 100163. Verify Clutch Pulley does NOT contact Clutch Coil prior to operation.**