



Protects the pump from damaging heat build-up while it is in bypass mode. The thermal relief valve, sensing a rise in temperature, opens and discharges a small amount of heated fluid. This allows cooler water to enter the system and cool the pump. When the gun is discharged the cooler water will cause the valve to close immediately.

**FEATURES/BENEFITS**

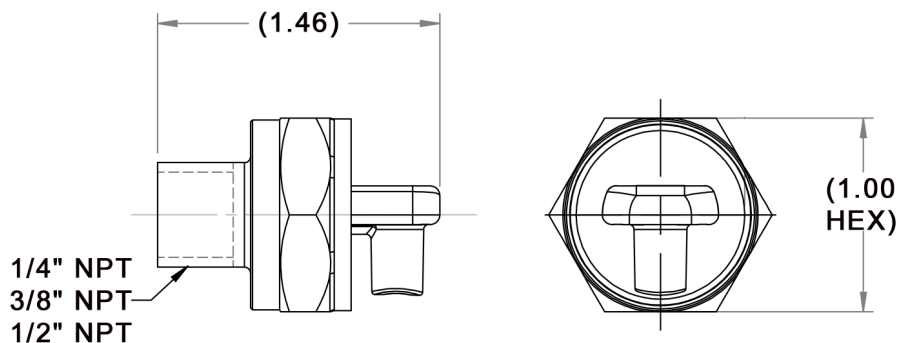
- Most consistent temperature range on the market
- Quickest response to rising temperature
- Less stress on pump
- Most cost effective thermal protector in the market
- Mounts easily in the pump inlet, supply lines or bypass loop

**SPECIFICATIONS**

Part No.	Temperature	Size
100556	145°	1/4" NPT
100557	145°	3/8" NPT
100558	145°	1/2" NPT
Hose Barb:		90°, 1/4"
Weight:		1.5 oz
Dimensions:		1-1/2" H x 1" W
Materials:	Brass, Buna, Delrin, Stainless Steel	

\* Activation temperature varies with system pressure.

**DIMENSIONS**



**NOTE:** If a hose is used on the discharge, it is recommended to be plumbed to atmospheric pressure. External pressure being applied can alter the activation temp and/or ability to discharge water effectively.



General Pump  
is a member of  
the Interpump Group

