

**GENERAL PUMP** *A member of the Interpump Group*

**FEATURES**

- Panel mounted, dual scale knob.
- Rapid response,  $\pm 5^\circ\text{F}$
- 60 inch capillary tube with bulb rated to 4000 PSI
- UL/CSA approved.

**SPECIFICATIONS**

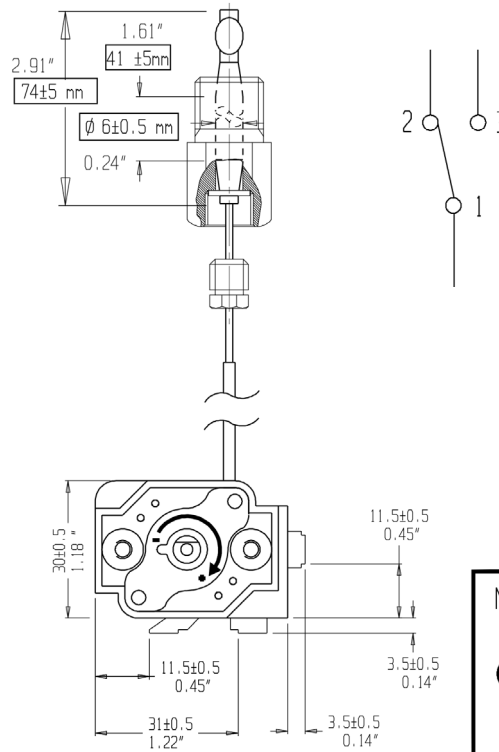
Part No. (Bulk 25 Pack)	100438 (100438B)	100439 (100439B)	100538 (100538B)
Temp Range	86° - 195° F	86° - 302° F	86° - 250° F
Max Pressure	4000 PSI		
Electrical Rating AC	120VAC-20A 240VAC-20A 120/240VAC-1/4HP		
Sensing Element	Copper Bulb		
UL/CSA Approved	Yes		

# GP Thermostats

Capillary Style Adjustable Thermostats



**DIMENSIONS (MM)**



Terminals	6.3 x 0.8 mm 0.25" x 0.03"
Bulb	COPPER
Capillary	COPPER
Stem length	1803 $\pm$ 25mm/71"
Sleeving	1575 $\pm$ 25mm/62"
	PTFE PEr
Maxi bulb temp.	161°C/322°F
Preset in position :	Z
Standard packaging	
Observations :	
	- Specific bulb - 1/2 NPT component supplied separately

	Angular Pos / BB	Temp. °C		Temp. °F	
		Réglul.	Diff.	Réglul.	Diff.
X	0	$\approx 21$		$\approx 70$	
Y					
Z	270	121 $\pm$ 5	$\approx 7$	250 $\pm$ 9	$\approx 12$
Submerged cap. length =		50 mm 2"			

**NORMS:** -Approvals ENEC:EN60730-1  
EN60730-2-9  
T 120/ T 150  
1-2 20A 250V  $\sim$   
1-3 5A 250V  $\sim$

**CE**

-Approvals UL/CUL : 1-2 20A 250V  $\sim$   
1-3 20A 250V  $\sim$

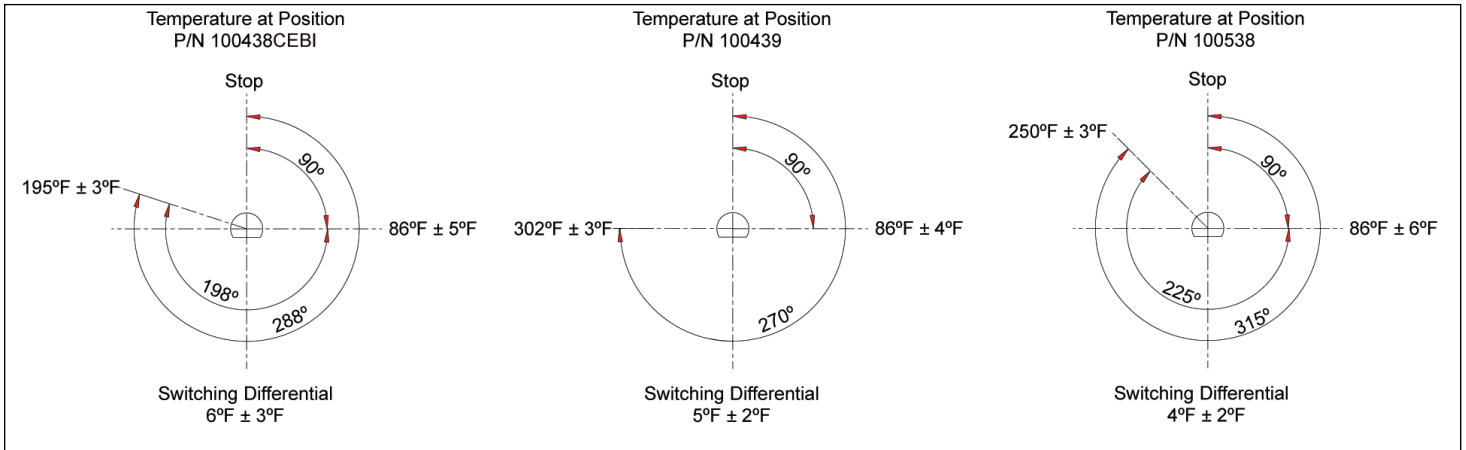


General Pump is a member of the Interpump Group

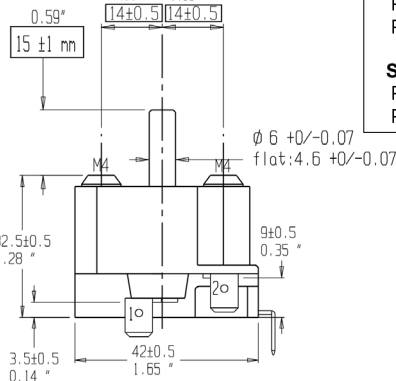
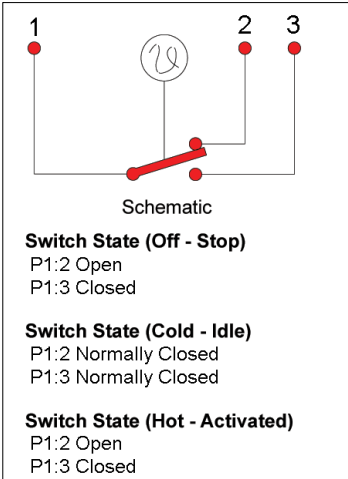
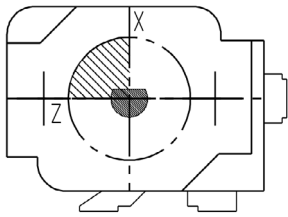
Ref 300016 Rev. G  
07-19



## WIRING DIAGRAMS AND INSTRUCTIONS

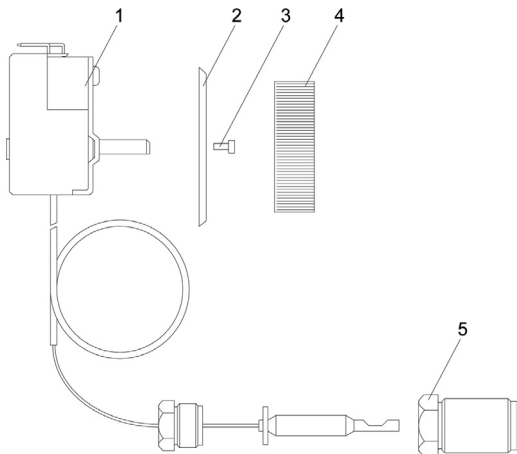


shaft in min. position (X)



**GENERAL PUMP ACCEPTS NO LIABILITY AND WARRANTY IS VOID IF THERMOSTAT IS ADJUSTED.**

## PARTS LIST



No.	Part #	Description	Qty.
1.	620061	Thermostat Body, 100438	1
	620062	Thermostat Body, 100439	1
	620063	Thermostat Body, 100538	1
2.	N/A	Bezel	1
3.	N/A	Screw	2
4.	N/A	Adjusting Knob	1
5.	510103	Adapter	1

Note: Bezel, Screws, Knob all come with thermostat body.