

**GENERAL PUMP** *A member of the Interpump Group*

# GP Thermostats

Capillary Style Adjustable Thermostats

**FEATURES**

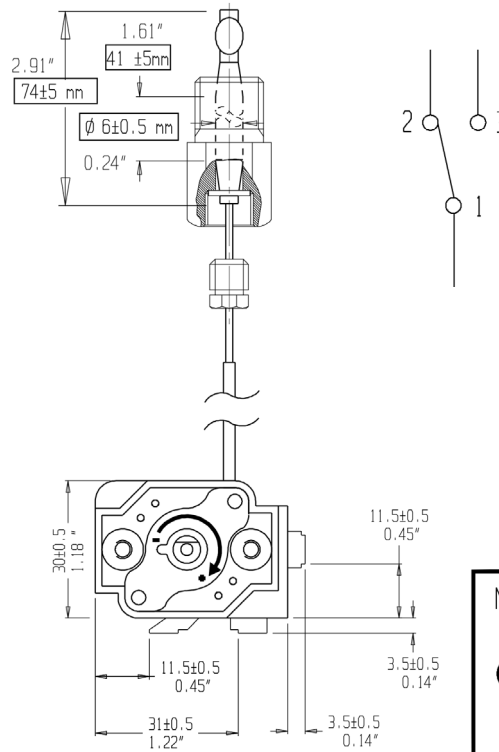
- Panel mounted, dual scale knob.
- Rapid response,  $\pm 5^\circ\text{F}$
- 60 inch capillary tube with bulb rated to 4000 PSI
- UL/CSA approved.



**SPECIFICATIONS**

Part No. (Bulk 25 Pack)	100438 (100438B)	100439 (100439B)	100538 (100538B)
Temp Range	86° - 195° F	86° - 302° F	86° - 250° F
Max Pressure	4000 PSI		
Electrical Rating AC	120VAC-20A 240VAC-20A 120/240VAC-1/4HP		
Sensing Element	Copper Bulb		
UL/CSA Approved	Yes		

**DIMENSIONS (MM)**



Terminals	6.3 x 0.8 mm 0.25" x 0.03"
Bulb	COPPER
Capillary	COPPER
Stem length	1803 $\pm$ 25mm/71"
Sleeving	1575 $\pm$ 25mm/62"
	PTFE PEr
Maxi bulb temp.	161°C/322°F
Preset in position :	Z
Standard packaging	
Observations :	
	- Specific bulb - 1/2 NPT component supplied separately

	Angular Pos / BB	Temp. °C		Temp. °F	
		Régul.	Diff.	Régul.	Diff.
X	0	$\approx 21$		$\approx 70$	
Y					
Z	270	121 $\pm$ 5	$\approx 7$	250 $\pm$ 9	$\approx 12$
Submerged cap. length =		50 mm 2"			

NORMS: -Approvals ENEC:EN60730-1  
EN60730-2-9  
T 120/ T 150  
1-2 20A 250V  $\sim$   
1-3 5A 250V  $\sim$

**CE**

-Approvals UL/CUL : 1-2 20A 250V  $\sim$   
1-3 20A 250V  $\sim$

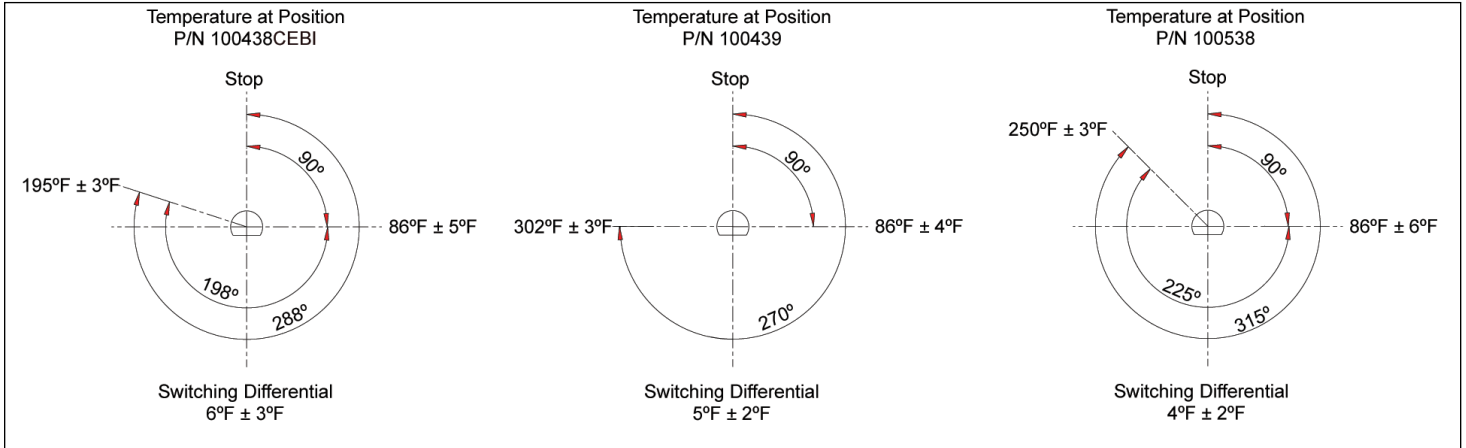


General Pump is a member of the Interpump Group

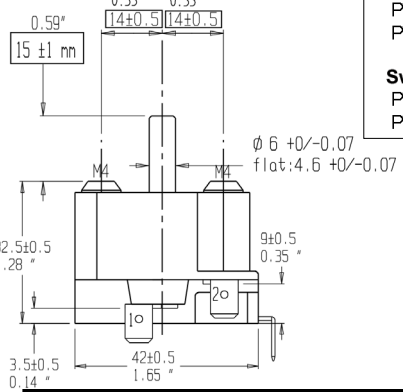
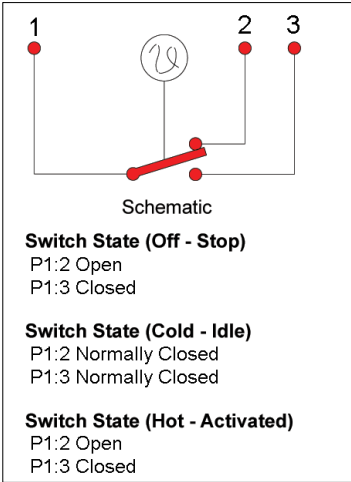
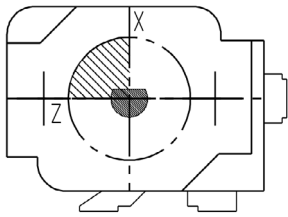
Ref 300016 Rev. G  
07-19



## WIRING DIAGRAMS AND INSTRUCTIONS



shaft in min. position (X)



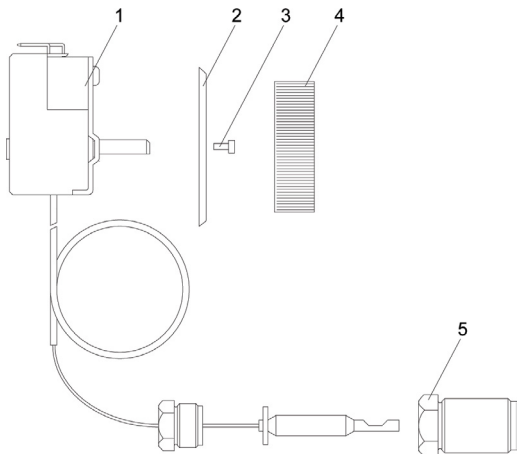
### ASSEMBLY INSTRUCTIONS

1. Thread item 5 adapter in desired location.
2. Insert probe through item 5 and thread nut into item 5.
3. Position thermostat body in desired location.
4. Connect electrical wires.
5. Align indentation on bezel with connector end of thermostat.
6. Attach bezel to thermostat with item 3 screws (qty. 2).
7. Press adjustment knob onto thermostat spindle.



**GENERAL PUMP ACCEPTS NO LIABILITY AND WARRANTY IS VOID IF THERMOSTAT IS ADJUSTED.**

### PARTS LIST



No.	Part #	Description	Qty.
1.	620061	Thermostat Body, 100438	1
	620062	Thermostat Body, 100439	1
	620063	Thermostat Body, 100538	1
2.	N/A	Bezel	1
3.	N/A	Screw	2
4.	N/A	Adjusting Knob	1
5.	510103	Adapter	1

Note: Bezel, Screws, Knob all come with thermostat body.