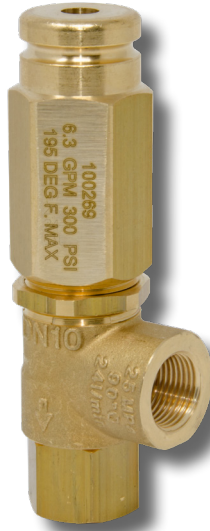
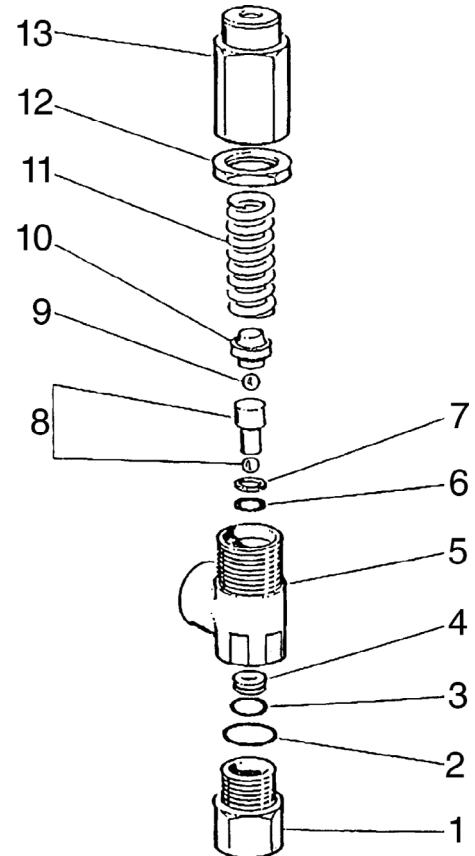


GENERAL PUMP *A member of the Interpump Group***100269****Regulating Valve****SPECIFICATIONS**

Part Number	100269	
Flow Rate	6.3 GPM	
Max Pressure	300 PSI	
Max Temperature	195° F	
Port Size:	Inlet	3/8-19 BSPP-F
	Bypass	3/8-19 BSP-F
Dimensions	1.25" x 4.5"	
Weight	12.2 oz.	
Material	Brass, Stainless Steel, Buna-N	

PARTS LIST

No.	Part No.	Description	Qty
1	Y600030631	Fitting, Bypass, 3/8-19 BSPP-F1	1
2*	Y10306600	O-ring, Ø 0.614 x 0.07	1
3*	Y10300500	O-ring, Ø 0.394 x 0.039	1
4	Y60050651	Seat, 4.5 x 13 x 4 mm, SS	1
5	Y60051735	Housing, Brass	1
6*	Y10305500	O-ring, Ø 0.302 x 0.07	1
7	Y10402500	Ring, Back-up	1
8	Y60051021	Piston with Ball, SS	1
9	Y14742100	Ball, Ø 1/4", SS	1
10	Y60050331	Bearing, Thrust, SS	1
11	720010	Spring	1
12	Y60052331	Nut, Lock, M24	1
13	Y60053231	Knob, Brass, M24	1
*	Y60053524	Repair Kit YBRV624	



General Pump
is a member of
the Interpump Group



GENERAL PUMP 1174 Northland Drive • Mendota Heights, MN 55120
Phone: 651.686.2199 • Fax: 800.535.1745 • e-mail: sales@gpcompanies.com • www.generalpump.com

Ref 301080 Rev. A
07-21

