

GP Soap Shooter

Shoots Soap Up To 3 Stories!

SPECIFICATIONS



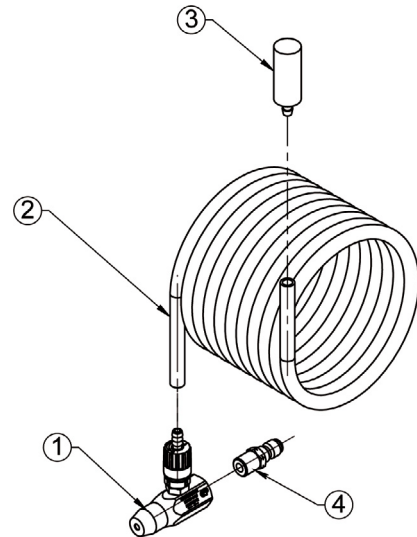
| Part Number | Nozzle Size |
|-------------|-------------|
| 100169 | #3.5 |
| 100145 | #4.0 |
| 100146 | #4.5 |
| 100147 | #5.0 |
| 100181 | #6.0 |
| 101012 | #7.0 |

FEATURES

- For use with lance or extension wand
- Adjustable chemical feature
- Chemical can be stopped
- 5000 PSI maximum
- Chemical does not go through pump
- Attaches to QC on lance or extension wand
- Stainless Steel
- Includes:
30 foot hose
filter
nozzle

PARTS LIST

| No. | Part No. | Description | Qty. |
|-----|----------|--|------|
| 1 | 100170 | Chemical injector, Long Dist., #3.5 (100169) | 1 |
| | 100958 | Chemical injector, Long Dist., #4.0 (100145) | 1 |
| | 100959 | Chemical injector, Long Dist., #4.5 (100146) | 1 |
| | 100960 | Chemical injector, Long Dist., #5.0 (100147) | 1 |
| | 100961 | Chemical injector, Long Dist., #6.0 (100181) | 1 |
| | 101011 | Chemical injector, Long Dist., #7.0 (101012) | 1 |
| 2 | D40011FT | Hose, 1/4" ID, Vinyl, Clear | 1 |
| 3 | D40006 | Filter, Chemical, No Check | 1 |
| 4 | 520134 | Nipple, 1/4" QD x 1/4" NPT-M | 1 |



General Pump is a member of the Interpump Group



Ref 300686 Rev. C
07-21



GP Soap Shooter

OPERATING INSTRUCTIONS

CAUTION:

Do not point the Soap Shooter at any part of body as serious injury may occur.

WARNING:

The Soap Shooter can damage soft materials such as wood. Start at safe distance from surface or reduce pump pressure.

STEP 1

Attach the Soap Shooter to gun or lance.

STEP 2

Attach one end of hose to Soap Shooter hose barb and insert other end into soap mixture. Be sure the filter is on the tube end that's in the soap.

STEP 3

Adjust soap concentration with knob on Soap Shooter.

STEP 4

Point Soap Shooter and surface and pull gun trigger.

